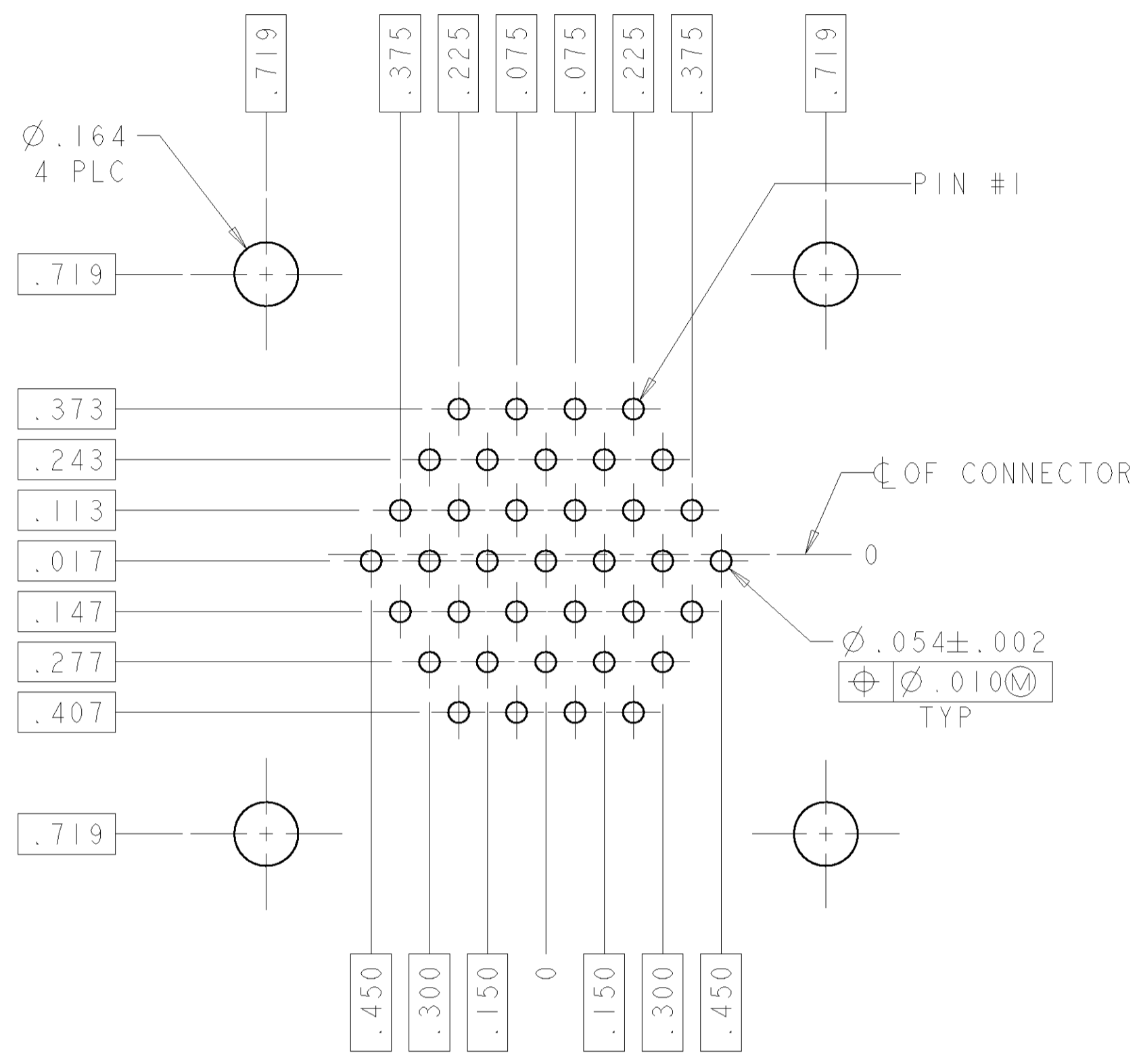
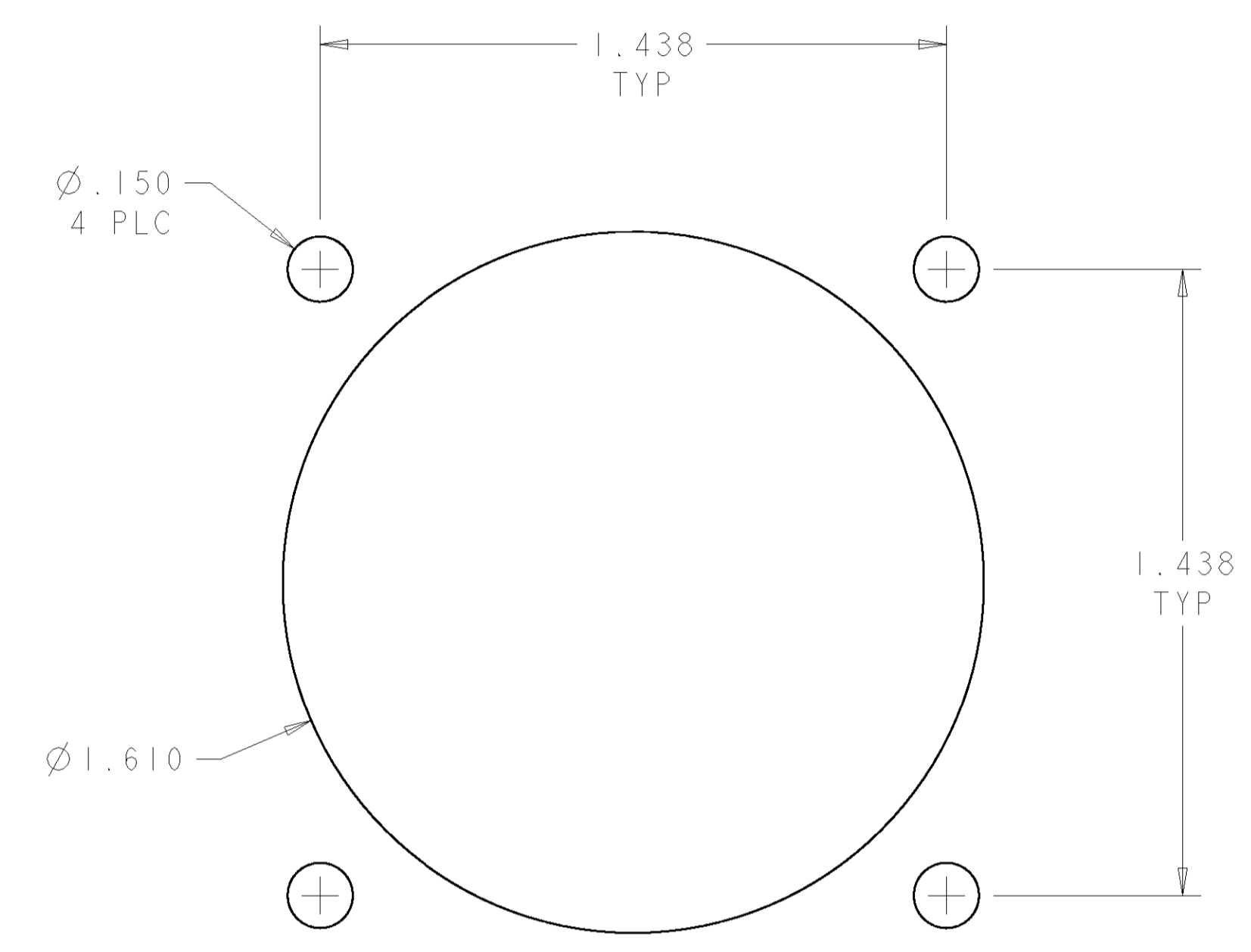


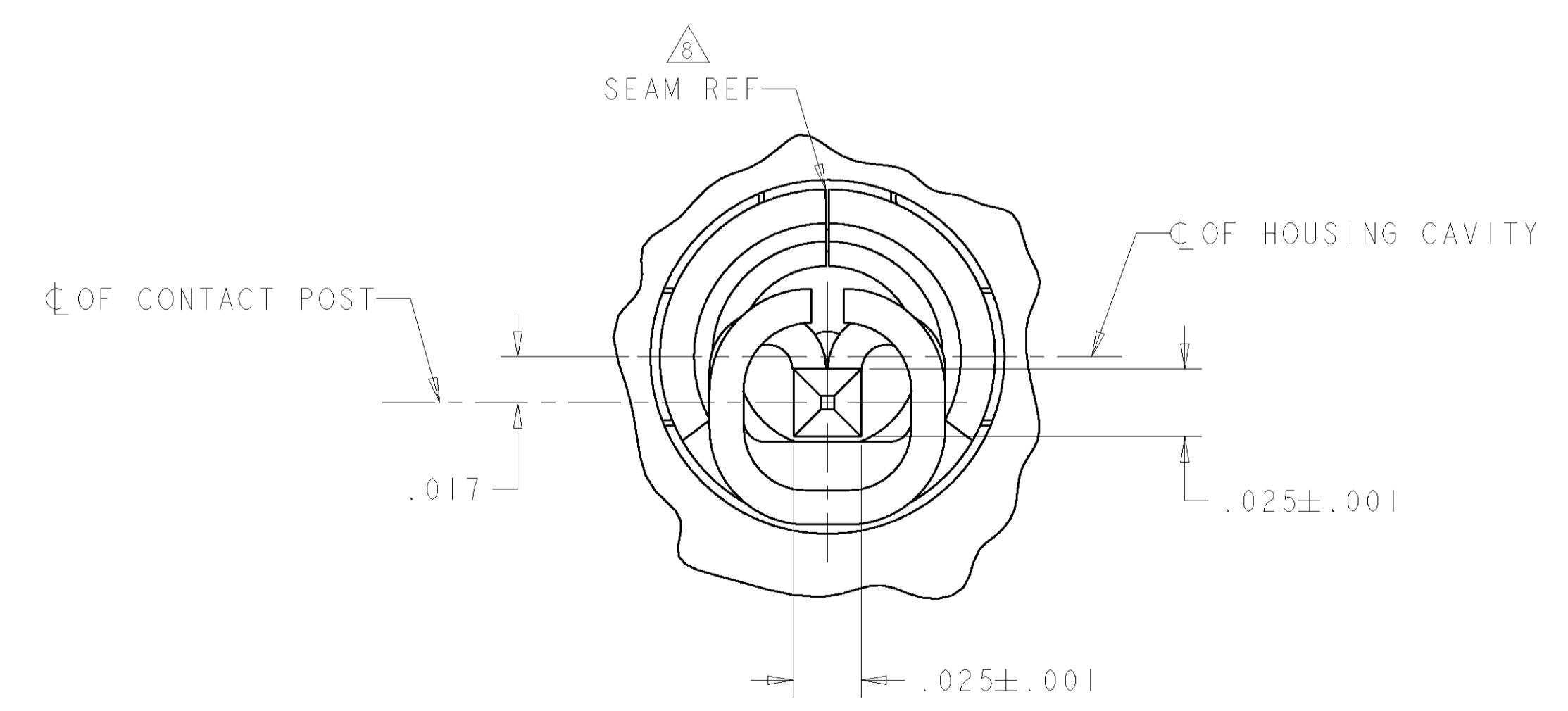
LOC		DIST		REVISIONS			
FT	0	P	LTR	DESCRIPTION	DATE	DNW	APVD
		-	-	SEE SHEET 1	-	-	-



RECOMMENDED PC BOARD LAYOUT



RECOMMENDED PANEL CUTOUT  
 .125 MAX PANEL THICKNESS



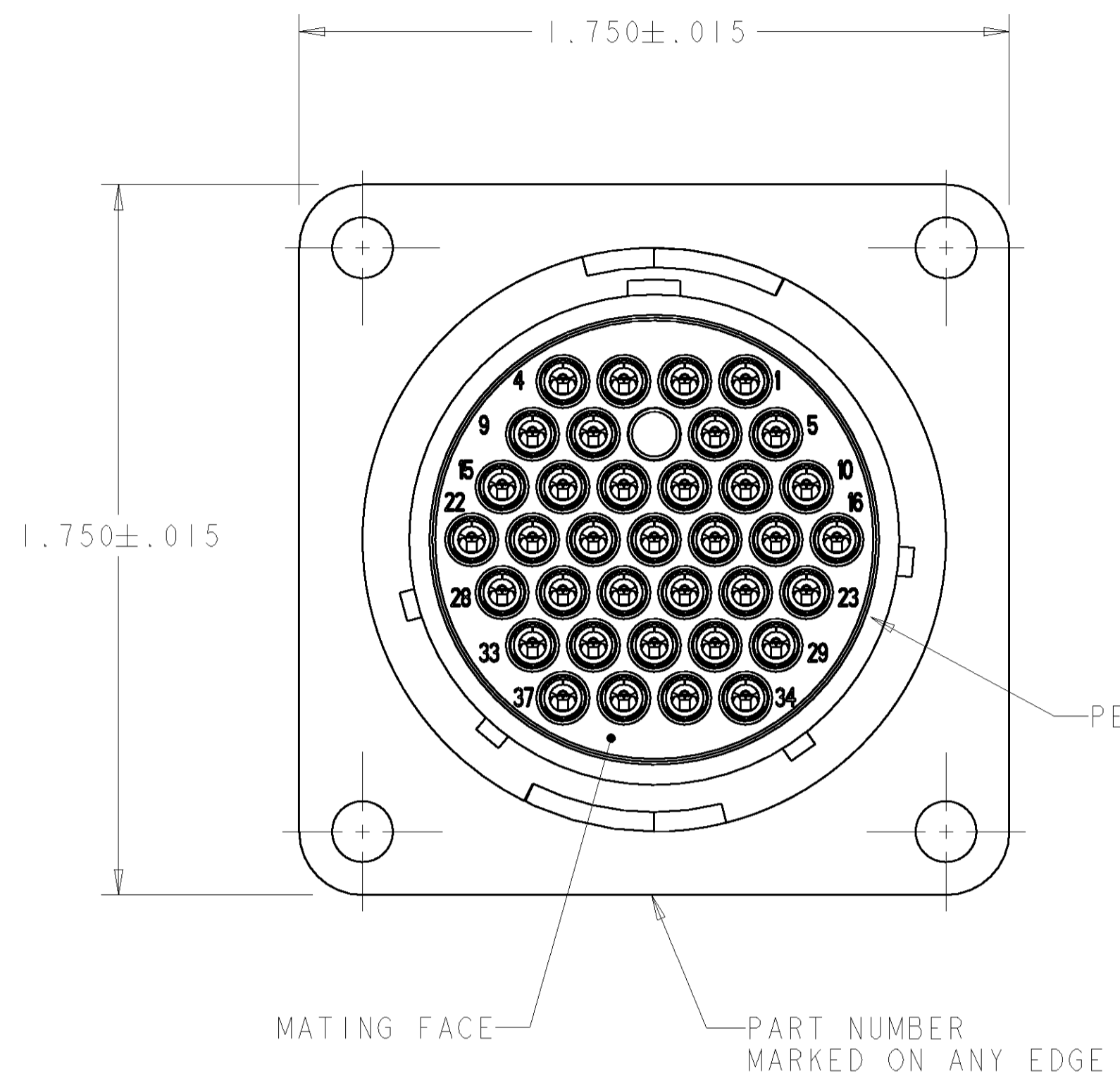
DETAIL V  
 SCALE 20:1

<small>THIS DRAWING IS UNPUBLISHED. RELEASED FOR PUBLICATION. ALL RIGHTS RESERVED. THIS DRAWING IS THE PROPERTY OF TYCO ELECTRONICS CORPORATION. IT IS TO BE USED ONLY FOR THE PURPOSES AND CONDITIONS SPECIFIED IN THE ORDER. NO PARTS OF THIS DRAWING ARE TO BE REPRODUCED OR TRANSMITTED IN ANY FORM OR BY ANY MEANS, ELECTRONIC OR MECHANICAL, INCLUDING PHOTOCOPYING, RECORDING, OR BY ANY INFORMATION STORAGE AND RETRIEVAL SYSTEM, WITHOUT PERMISSION IN WRITING FROM TYCO ELECTRONICS CORPORATION.</small>		DWN S. WELDON 22MAY2003 CHK S. HEADER 22MAY2003 APVD S. HEADER 22MAY2003	Tyco Electronics Harrisburg, PA 17105-3608
DIMENSIONS: INCHES	TOLERANCES UNLESS OTHERWISE SPECIFIED: 0 PLC $\pm .0$ 1 PLC $\pm 0.0$ 2 PLC $\pm 0.00$ 3 PLC $\pm 0.010$ 4 PLC $\pm 0.0000$ ANGLES $\pm .$	NAME RECEPTACLE ASSEMBLY, POSTED, REVERSE SEX, SERIES 1, 23-37, CPC PRODUCT SPEC 108-10024 APPLICATION SPEC 114-10004 WEIGHT - CUSTOMER DRAWING	SIZE CAGE CODE DRAWING NO RESTRICTED TO A 00779 C=213828 -
MATERIAL -	FINISH -	SCALE 3:1	SHEET 2 OF 2 REV U

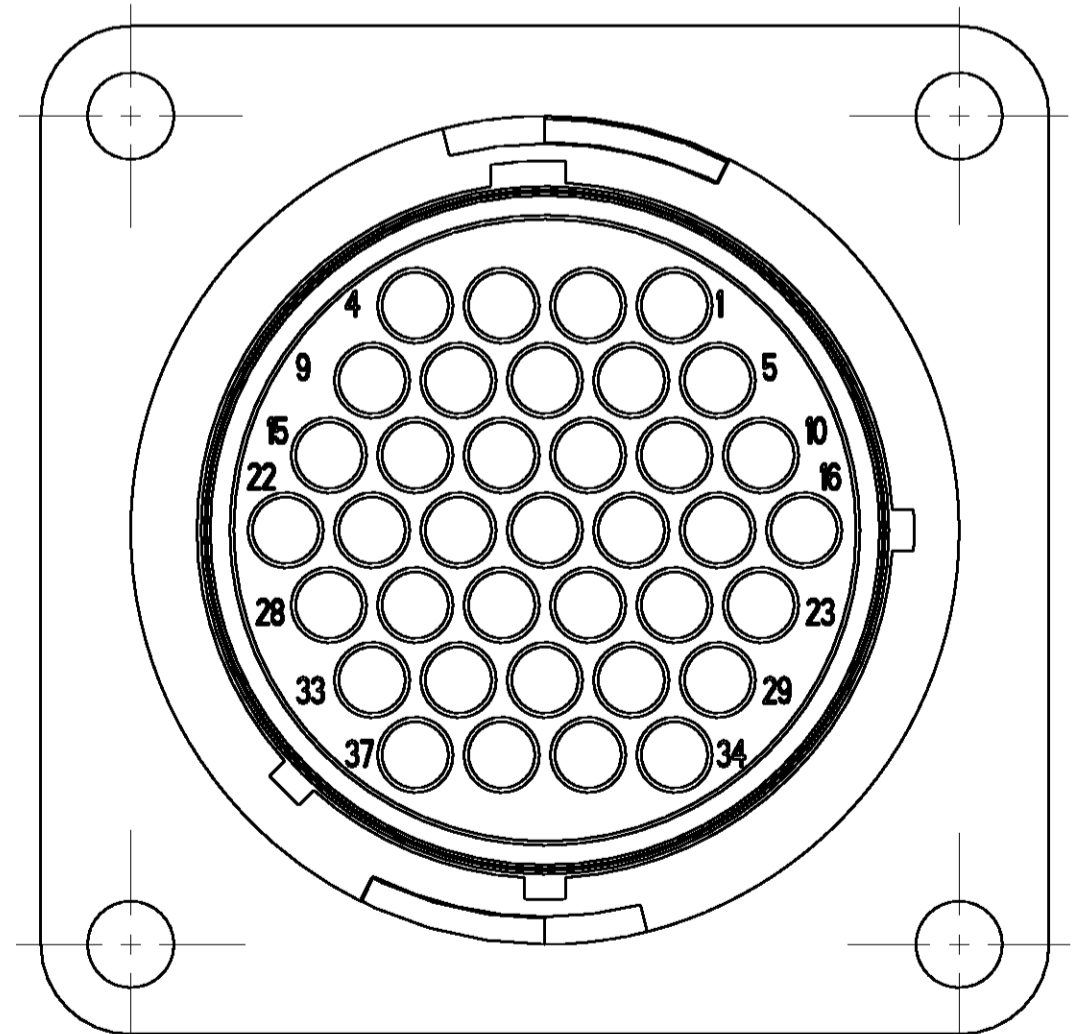
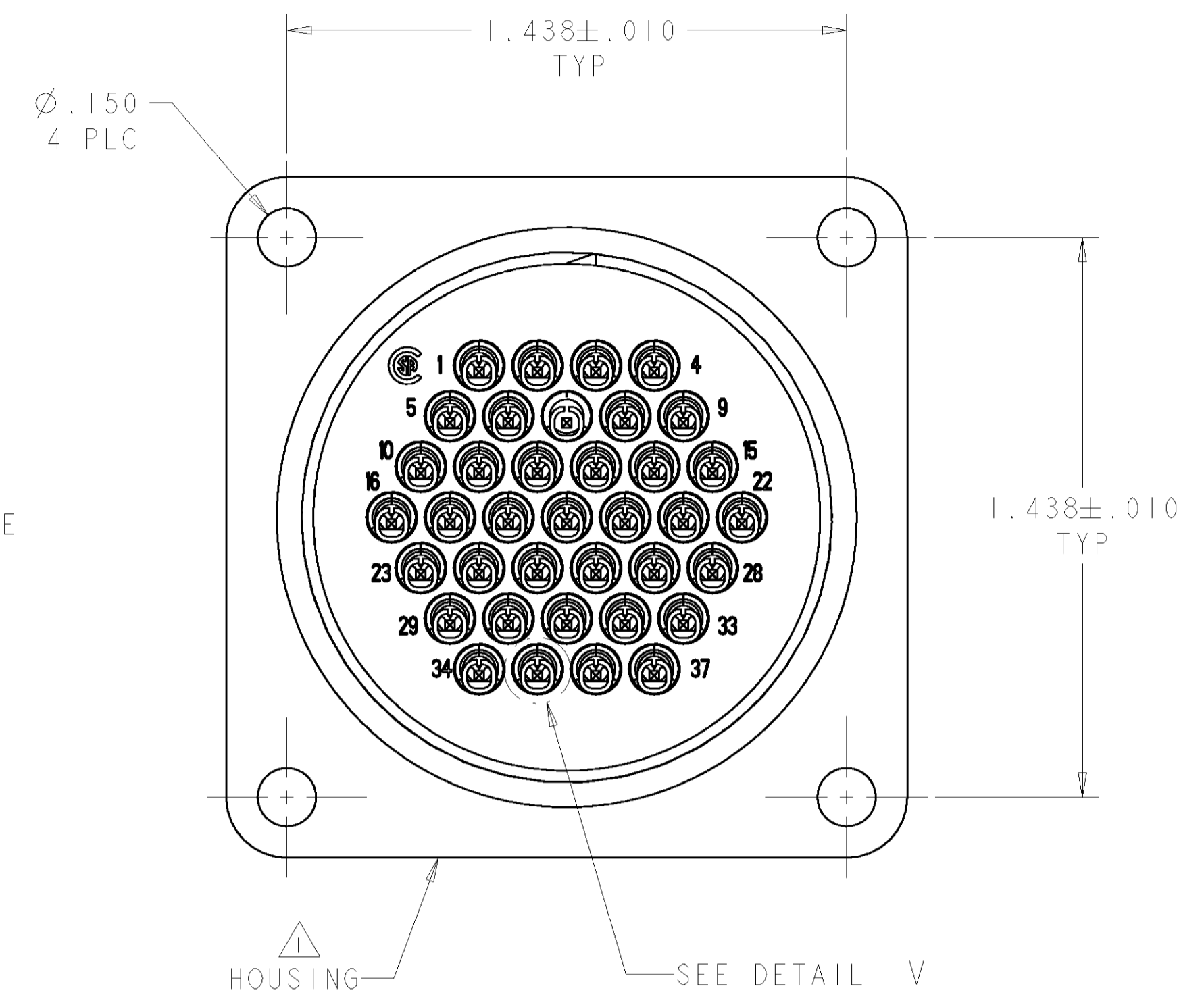
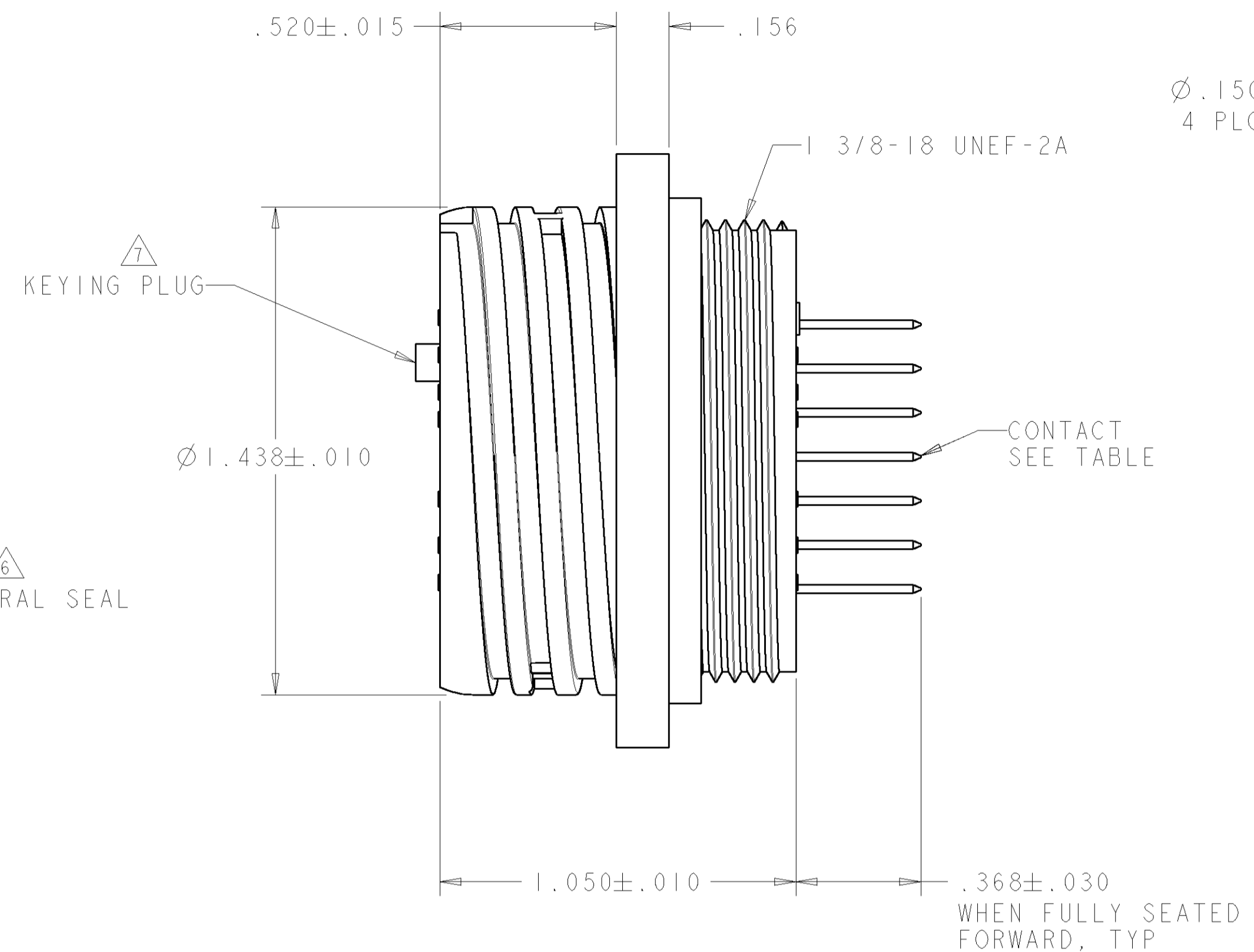
LOC	DIST	REV	DATE	BY	CHKD
FT	0				

REVISIONS					
REV	DATE	BY	CHKD	DESCRIPTION	APPROV
S	24NOV2003	SW	SH	REVISED EC 063B-0890-03	
T	21FEB2005	SW	HW	REVISED EC 063B-0081-05	
U	05MAR2005	SW	SH	REVISED EC 063B-0100-05	



"A" STYLE KEYING



"B" STYLE KEYING

- △ HOUSING: THERMOPLASTIC, COLOR: BLACK.
- △ CONTACT:  
 BODY - .000100 MIN TIN-LEAD OVER .000050 MIN NICKEL.  
 POST - .000100 MIN TIN-LEAD OVER .000050 MIN NICKEL.
- △ CONTACT:  
 BODY - .000030 MIN GOLD FOR A LENGTH OF .200 MIN FROM MATING END, .000005 MIN GOLD ON REMAINDER ALL OVER .000030 MIN NICKEL.  
 POST - .000100 MIN TIN-LEAD OVER .000050 MIN NICKEL.
- △ CONTACT:  
 BODY - .000100 MIN TIN-LEAD OVER .000050 MIN NICKEL.  
 POST - .000030 MIN GOLD OVER .000050 MIN NICKEL.
- △ CONTACT:  
 BODY - .000100 MIN TIN OVER .000050 MIN NICKEL.  
 POST - .000100 MIN TIN OVER .000050 MIN NICKEL.
- △ PERIPHERAL SEAL: ELASTOMER, COLOR: GRAY.
- △ KEYING PLUG: NYLON, COLOR: NATURAL.
- △ .009 MAXIMUM CONTACT LEAD-IN SEAM GAP PERMISSIBLE ON MATING FACE END.

PRELIMINARY  
 PRELIMINARY  
 PRELIMINARY

YES	A	-	△5	ALL	1-213828-6
YES	B	POSN 7	△5	1-6,8-37	1-213828-5
YES	A	-	△5	1-22,29-37	1-213828-4
YES	A	POSN 15	△5	1-14,16-37	1-213828-3
YES	B	POSN 7	△2	2-6,8-37	1-213828-2
YES	B	POSN 7	△2	1-6,8-37	1-213828-1
YES	A	-	△2	1-22,29-37	1-213828-0
YES	A	-	△4	ALL	213828-9
YES	B	POSN 7	△2	2-6,8-37	213828-8
NO	A	-	△3	1-22,29-37	213828-7
NO	B	POSN 7	△3	1-6,8-37	213828-6
NO	A	POSN 15	△3	1-14,16-37	213828-5
YES	B	POSN 7	△2	1-6,8-37	213828-4
YES	A	POSN 15	△2	1-14,16-37	213828-3
YES	A	-	△2	1-22,29-37	213828-2
YES	A	-	△2	ALL	213828-1
PERIPHERAL SEAL	KEYING STYLE	KEYING PLUG	CONTACT FINISH	SELECT LOADED IN POSITIONS	PART NUMBER

DIMENSIONS: INCHES		TOLERANCES UNLESS OTHERWISE SPECIFIED:		DWN S. WELDON 22MAY2003		AMP Tyco Electronics Harrisburg, PA 17105-3608	
0 PLC	±	0 PLC	±0.0	CHKD S. HEADER 22MAY2003		NAME RECEPTACLE ASSEMBLY, POSTED, REVERSE SEX, SERIES 1, 23-37, CPC	
1 PLC	±0.0	1 PLC	±0.00	APPROV S. HEADER 22MAY2003		PRODUCT SPEC 108-10024	
2 PLC	±0.00	2 PLC	±0.010	APPLICATION SPEC 114-10004		SIZE CAGE CODE DRAWING NO RESTRICTED TO	
3 PLC	±0.010	3 PLC	±0.000	WEIGHT -		A1 00779 C=213828	
4 PLC	±0.000	4 PLC	±0.000	CUSTOMER DRAWING		SCALE 3:1 SHEET 1 OF 2 REV U	

## X-ON Electronics

Largest Supplier of Electrical and Electronic Components

*Click to view similar products for [Standard Circular Connector](#) category:*

*Click to view products by [TE Connectivity](#) manufacturer:*

Other Similar products are found below :

[C015](#) [10F006](#) [001](#) [1](#) [5M2530B10P](#) [600247N007](#) [600259N006](#) [600273N007](#) [600432N009](#) [6280-2PG-519](#) [6280-3PG-311](#) [6280-3SG-311](#)  
[6280-7SG-3DC](#) [6280-7SG-522](#) [6282-5PG-311](#) [6282-6PG-519](#) [6282-8SG-311](#) [6283-11](#) [6283-15](#) [6290](#) [6293](#) [6382-2PG-311](#) [6382-2PG-3DC](#)  
[6382-2SG-321](#) [6382-2SG-3DC](#) [6382-4SG-516](#) [67-03E20-37P](#) [681-PMG](#) [CXC3106A1811S](#) [CXS3102A14S2P](#) [CXS3102A181S](#)  
[CXS3106A14S6S](#) [D38999/20FC8SA L/C](#) [MB12P-1](#) [MB12R-6](#) [7251-2PG-300](#) [7251-2SG-300](#) [7251-4PG-300](#) [7251-4SG-300](#) [7251-5PG-300](#)  
[7251-5SG-300](#) [7251-6SG-300](#) [7251-7PG-300](#) [7251-8PG-300](#) [7271-6SG-300](#) [7282-3PG-300-CH3](#) [73000005663](#) [75-190011-03P](#) [75-190216-08S](#) [75-190218-10P](#) [75-214636-52P](#) [75-474118-10P](#) [75-474211-03P](#)