

## How to Order - High-Rel Printed Circuit Mount Connectors

### Right Angle PC Tail Receptacles, With Bracket (.120 (3.15) Though-Holes Only)



Number of Contacts (Shell Size)	PC Tails - .030 (0.76) Diameter		
	.127 (3.23) ± .027 (0.69) Long Post	.158 (4.01) ± .027 (0.69) Long Post	.183 (4.65) ± .027 (0.69) Long Post
9 (E) Standard	DEM9SD	DEM9SL	DEM9SS
9 (E) <b>Military</b>	<b>DEM9SD</b>	<b>DEM9SL</b>	<b>DEM9SS</b>
15 (A) Standard	DAM15SD	DAM15SL	DAM15SS
15 (A) <b>Military</b>	<b>DAM15SD</b>	<b>DAM15SL</b>	<b>DAM15SS</b>
25 (B) Standard	DBM25SD	DBM25SL	DBM25SS
25 (B) <b>Military</b>	<b>DBM25SD</b>	<b>DBM25SL</b>	<b>DBM25SS</b>
37 (C) Standard	DCM37SD	DCM37SL	DCM37SS
37 (C) <b>Military</b>	<b>DCM37SD</b>	<b>DCM37SL</b>	<b>DCM37SS</b>
50 (D) Standard	DDM50SD	DDM50SL	DDM50SS
50 (D) <b>Military</b>	<b>DDM50SD</b>	<b>DDM50SL</b>	<b>DDM50SS</b>

**NM Non-Magnetic/No-Outgas** - Add desired suffix cod (NMB, NM-K52) to end of part number. Example: DEM9SLNMB-K52

### Right Angle PC Tail Plug, With Bracket (.120 (3.15) Through-Holes Only)

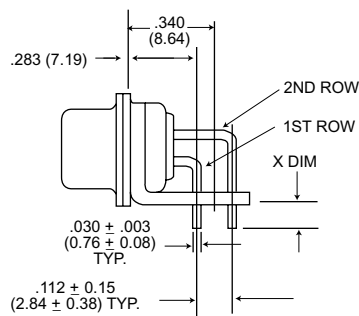


Number of Contacts (Shell Size)	PC Tails - .030 (0.76) Diameter		
	.127 (3.23) ± .027 (0.69) Long Post	.158 (4.01) ± .027 (0.69) Long Post	.183 (4.65) ± .027 (0.69) Long Post
9 (E) Standard	DEM9PD	DEM9PL	DEM9PS
9 (E) <b>Military</b>	<b>DEM9PD</b>	<b>DEM9PL</b>	<b>DEM9PS</b>
15 (A) Standard	DAM15PD	DAM15PL	DAM15PS
15 (A) <b>Military</b>	<b>DAM15PD</b>	<b>DAM15PL</b>	<b>DAM15PS</b>
25 (B) Standard	DBM25PD	DBM25PL	DBM25PS
25 (B) <b>Military</b>	<b>DBM25PD</b>	<b>DBM25PL</b>	<b>DBM25PS</b>
37 (C) Standard	DCM37PD	DCM37PL	DCM37PS
37 (C) <b>Military</b>	<b>DCM37PD</b>	<b>DCM37PL</b>	<b>DCM37PS</b>
50 (D) Standard	DDM50PD	DDM50PL	DDM50PS
50 (D) <b>Military</b>	<b>DDM50PD</b>	<b>DDM50PL</b>	<b>DDM50PS</b>

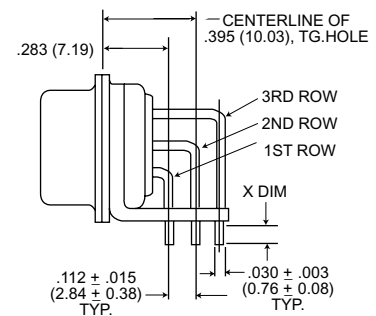
**NM Non-Magnetic/No-Outgas** - Add desired suffix cod (NMB, NM-K52) to end of part number. Example: DDM9SLNM-K52

## Dimensions-Right Angle 90° D Subminiature

Connectors with brackets cannot be ordered with float mounts or clinch nuts.



DE, DA, DB, DC Sizes



DD Size

Code Last Letter of P/N's	Right Angle With Bracket	X ± .027 (0.69)
D	•	.127 (3.22)
L	•	.158 (4.01)
S	•	.183 (4.65)

## X-ON Electronics

Largest Supplier of Electrical and Electronic Components

*Click to view similar products for [D-Sub Standard Connectors](#) category:*

*Click to view products by [ITT](#) manufacturer:*

Other Similar products are found below :

[DCM37S732N](#) [DAM15P500](#) [DEV09S364GTLF](#) [DEM09P032N](#) [DDM50P732N](#) [DAM15S332N](#) [173109-2218](#) [173109-2466](#) [173109-2436](#)  
[173109-2435](#) [56F706-005-LI](#) [56F711-015](#) [015-0341-000](#) [015-0372-008](#) [015-8544-011](#) [017041-0005](#) [020419-0104](#) [012-0515-000](#) [012-9507-](#)  
[034](#) [012-9507-114](#) [012-9534-001](#) [020745-0008](#) [609-25P](#) [M24308/2-23Z](#) [M243082310F](#) [M243082410F](#) [M243082411F](#) [M24308/4-21](#)  
[CT1A18-11PSA206](#) [CT1N36-5SC](#) [CT2-16S-17PS](#) [CT2-20-15PCAU](#) [CT2-24-12PS](#) [CT2-24-28PSF127A206](#) [CT2-32-9PC](#) [CT6F9767-14-4-](#)  
[14S-5PC](#) [CT6FA10SL-4PS](#) [CT7-18-10SC](#) [CT7-18-10SCAU](#) [CT7-18-12SCAU](#) [CT7-18-1PC](#) [CT7-18-1PCAU](#) [CT7-18-21SCAU](#) [M83513/01-](#)  
[FC](#) [M83723/76W24619 L/C](#) [M85049/48-3-2F](#) [69001-865](#) [6STD09PCM99B70X](#) [6STD09SCM99B30X](#) [6STD09SCT99S40X](#)