

Machined Contacts

Performance and Material Specifications

PERFORMANCE SPECIFICATIONS

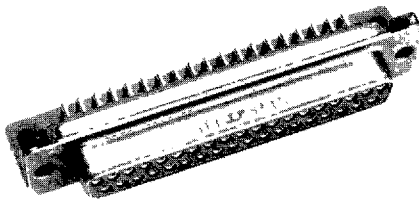
Wire Accommodation (AWG)	Solder - #20 Max. Crimp - #18-#28 Max.
Current Rating	#20; 5 Amp
Temperature Rating	-55°C to +150°C
Contact Resistance After Salt Spray, Millivolt Max.	55 @ 7.5 Amp test current

MATERIALS AND FINISHES

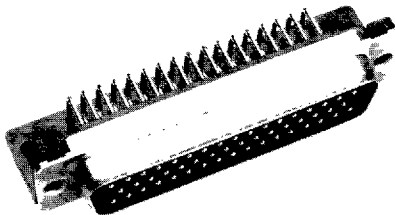
Description	Material	Finish
Shell	Steel per ASTM A-620	Tin
Insulator	Diallyl phthalate glass-filled per MIL-M-14, type SDG-F, color green, or thermoplastic	—
Contact	Copper alloy	Gold over nickel

High-Rel Printed Circuit Mount Connectors (PCB Thickness Up to .125")

Right Angle PC Tail Receptacles, With Bracket
(.120 [3.15] Through-Holes Only)



Right Angle PC Tail Plug, With Bracket
(.120 [3.15] Through-Holes Only)

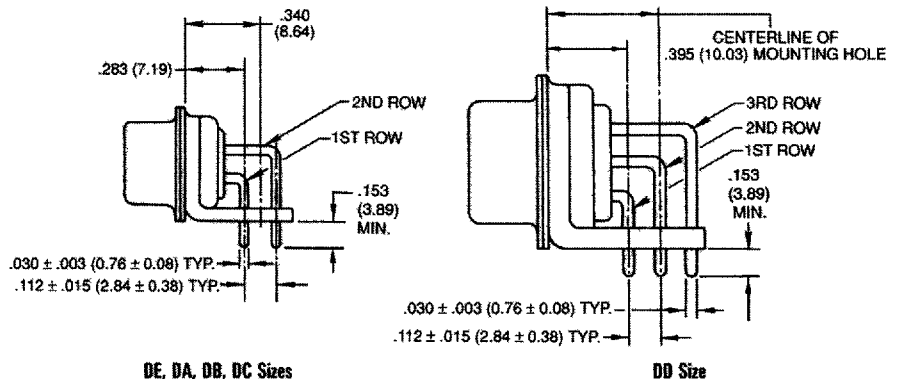


	Gold Over Nickel	30μ in. Gold
DE-9S	DEM9STA197	DEM9STK126
DE-9P	DEM9PTK87	DEM9PTK127
DA-15S	DAM15STA197	DAM15STK126
DA-15P	DAM15PTK87	DAM15PTK127
DB-25S	DBM25STA197	DBM25STK126
DB-25P	DBM25PTK87	DBM25PTK127
DC-37S	DCM37STA197	DCM37STK126
DC-37P	DCM37PTK87	DCM37PTK127
DD-50S	DDM50STA197	DDM50STK126
DD-50P	DDM50PTK87	DDM50PTK127

Tin Plated PC Tails, Add - A220

Dimensions - Right Angle 90° D Subminiature

Connectors with brackets cannot be ordered with float mounts or clinch nuts.

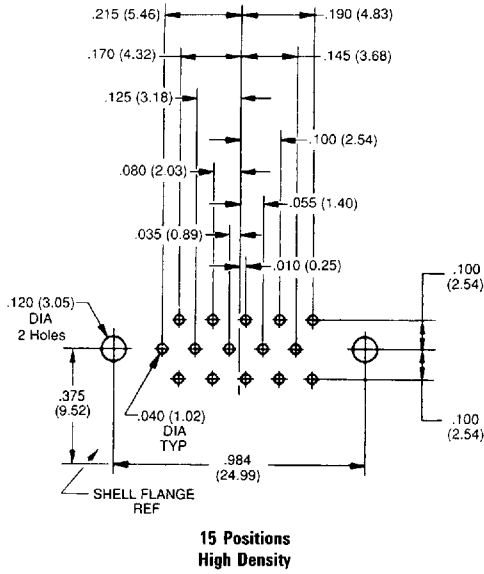


PCB Hole Patterns - Pages 14-15

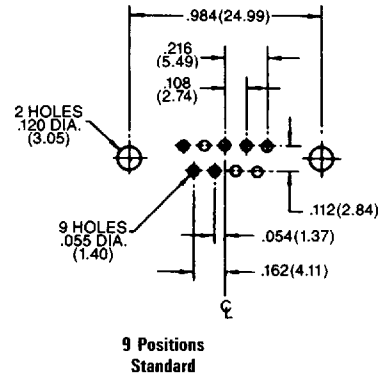
Right Angle and Straight D

PC Board Mounting Specifications

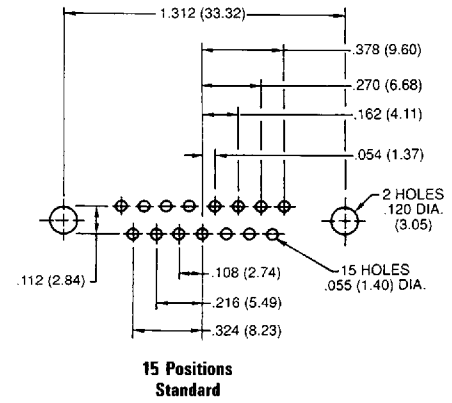
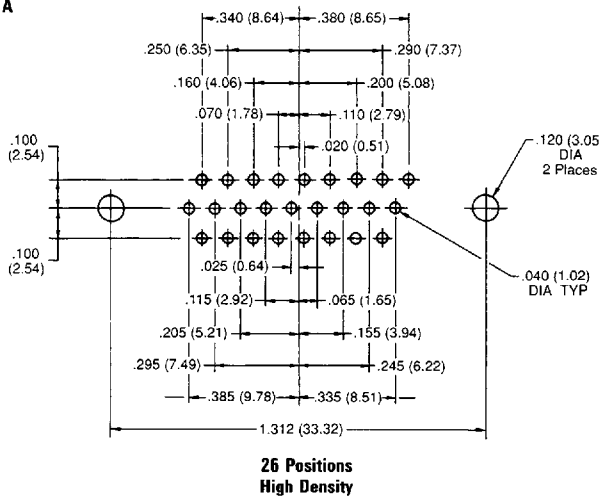
Shell Size E



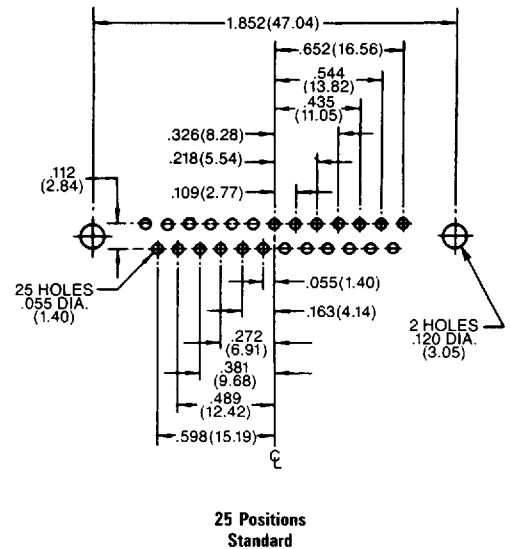
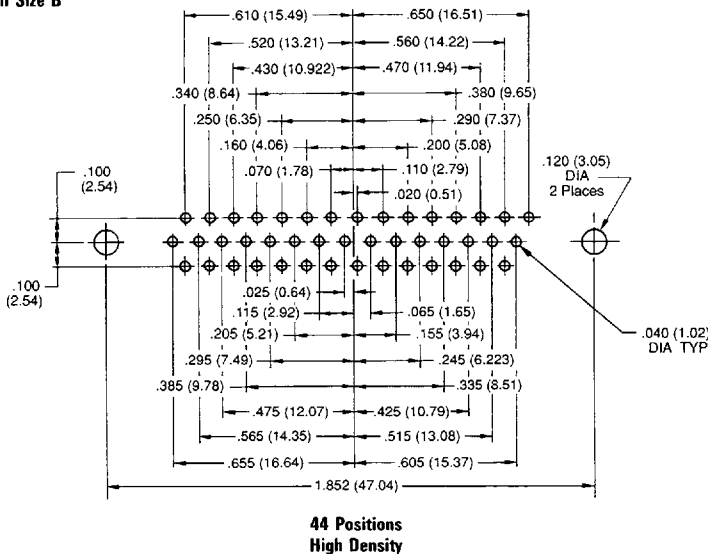
Note: Hole patterns shown are for plug connector assembly only. For receptacle connector assembly, hole pattern is a mirror image.



Shell Size A



Shell Size B

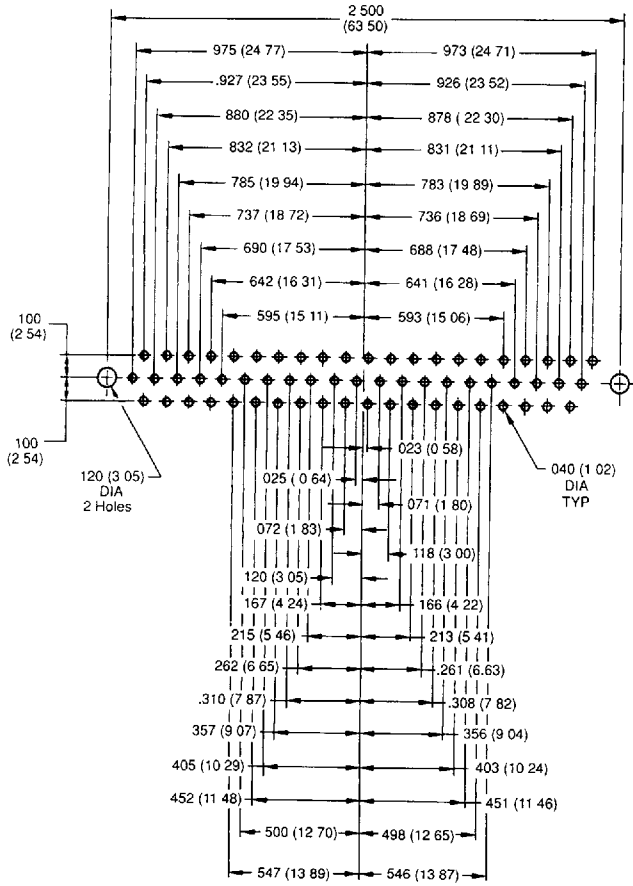


Right Angle and Straight D

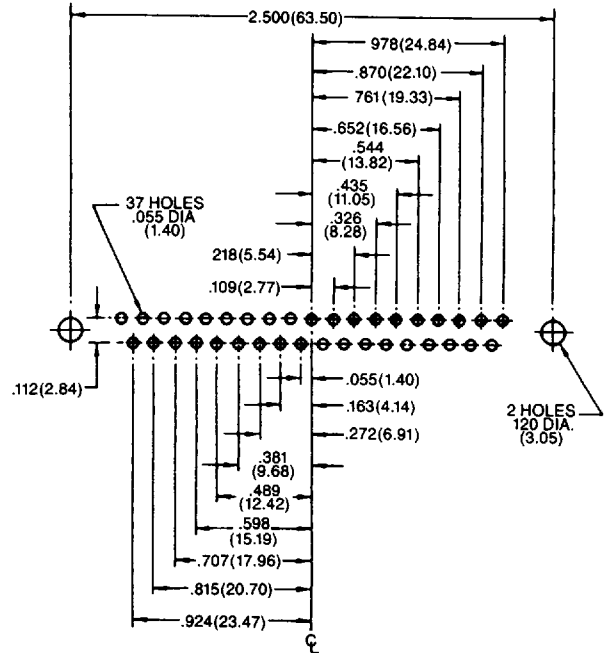
PC Board Mounting Specifications

Shell Size C

Note: Hole patterns shown are for plug connector assembly only. For receptacle connector assembly, hole pattern is a mirror image.



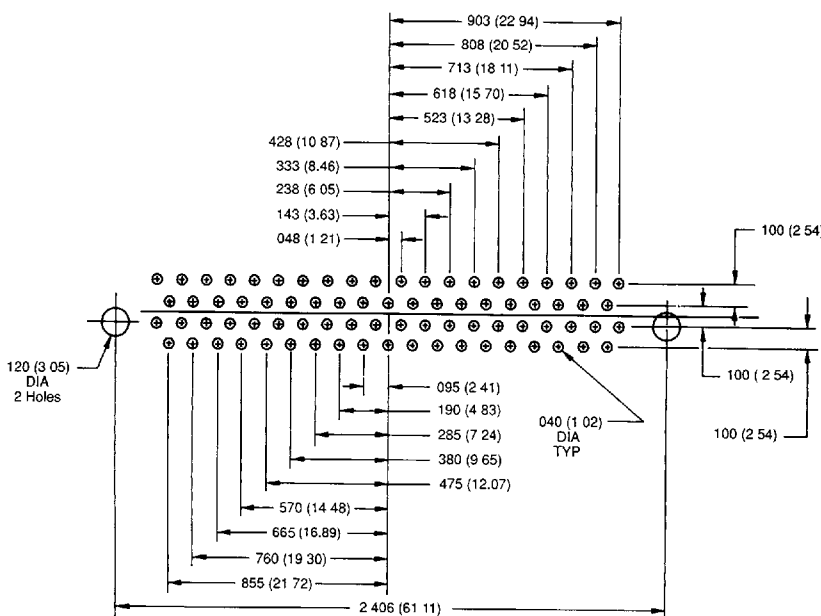
**62 Positions
High Density**



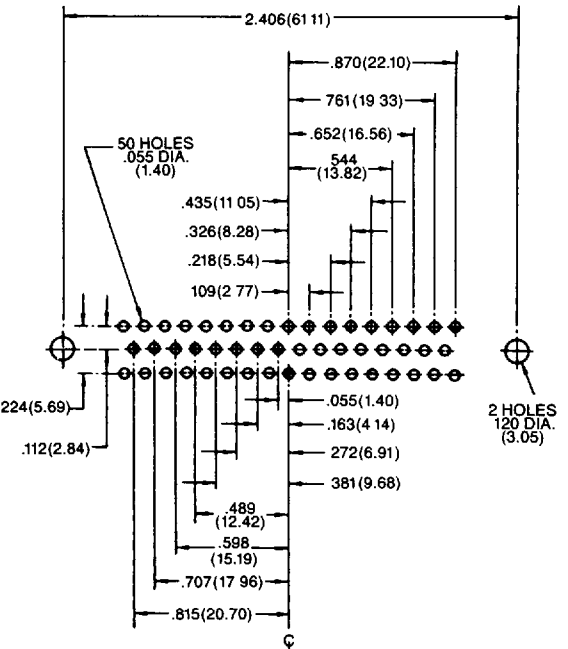
**37 Positions
Standard**

Board Mounted D

Shell Size D



**78 Positions
High Density**



**50 Positions
Standard**

ITT Cannon

D Subminiature Products • P.O. Box 35000, Santa Ana, CA 92705-6500 • (714) 261-5300 • FAX (714) 757-8324

Dimensions are shown in inches (millimeters).
Dimensions subject to change.

X-ON Electronics

Largest Supplier of Electrical and Electronic Components

Click to view similar products for [itt manufacturer](#):

Other Similar products are found below :

[BKAF3-68102-25](#) [MS3106E22-14P](#) [MS3106E22-22PY](#) [MS3100E22-22P](#) [MS3106E22-22PX](#) [MDM-37PCBR-F222](#) [CA3108E14S-5PBA176A232](#) [KPSE06F20-41SA206F0](#) [CB2-18-3SCA232](#) [KPSE00F106PWF0](#) [KPSE00F10-6P-FO](#) [CT6E18-11SCA206](#) [CA3101E10SL-4SF80DN](#) [MS3100F14S-7S](#) [CA3101E10SL-4PBA176F42](#) [MS3101E181SW](#) [KPSE00E10-6PW](#) [024251-0016-R](#) [024253-0025](#) [024265-0001](#) [024270-0015](#) [024271-0022](#) [024273-0043](#) [024288-0001](#) [M24308/23-57Z](#) [M24308/24-21F](#) [M24308/24-33Z](#) [CT1F22-7SS](#) [CT2-20-23SWS](#) [CT2-20-23SXS](#) [CT2-36-10PCAU](#) [CT6-24-11PSA206](#) [CT6F36-10PCA152](#) [CT6F9767-14-4-14S-5PC](#) [CT6T9767-14-4-14SA7SS](#) [D38999/20FG16PA-LC - MD1-21PS](#) [MDM-15PH001B-A174](#) [MDM-15PH003B-A174](#) [MDM-21SCBR-A174](#) [MDM-21SCBRP-A174](#) [MDM-21SH003B](#) [MDM25PH003BF222](#) [MDM-31SBRP](#) [MDM-37PBRT](#) [MDM37SH004PA174](#) [MDM-37SH013P](#) [MDM-51PSF](#) [MDM-51SCBRPL56](#) [MDM96514-336](#)