

1200 series

Momentary pushbutton switches - round plunger

Distinctive features and specifications

UG1410A



- Butt action contacts, double break
- NF (EN 61058-1), UL and CSA approved

ELECTRICAL SPECIFICATIONS

- Max. current/voltage rating with resistive load :
 - silver contacts (A) : 4A 250VAC - 8A 125VAC - 4A 24VDC - 8A 12VDC
 - silver plated copper contacts (C) : 2A 250VAC - 3A 125VAC - 2A 24VDC - 3A 12VDC
- Initial contact resistance : 10 mΩ
- Insulation resistance : 1.000 MΩ min. at 500VDC
- Dielectric strength :
 - 2.000 Vrms 50 Hz min. between terminals
 - 3.000 Vrms 50 Hz min. between terminals and frame
- Electrical life : 10.000 cycles at full load

MATERIALS

- Case : polyamide
- Plunger : polyamide
- Bushing : brass, nickel plated
- Contacts :
 - A : silver
 - C : copper, silver plated

GENERAL SPECIFICATIONS

- Torque : 1,50 Nm (1.10 Ft.lb) max. applied to nut
- Panel thickness : 5 mm (.196) max.
- Total travel :
 - NO : 4,5 (.177) +/- 0,3 (.011)
 - NC : 3,5 (.137) +/- 0,3 (.011)
- Operating temperature : -20°C to +55°C

AGENCY APPROVALS



EN 61058-1

2A 250VAC or 4A 250VAC, T55/125°C
All models



4A 250VAC - 8A 125VAC
All models function 3 (NO)

Models 1233X209 and 1233X209L are standard marked NF.
To order switches marked NF, UL or CSA, complete appropriate box of ordering format.

ABOUT THIS SERIES

Dimensions : first dimensions are in mm while inches are shown as bracketed numbers.



Sealing boots are available to protect the switches against dust and water. They are presented in section H.



Mounting accessories : standard hardware supplied :
- silver contact models : 1 hex nut U166 and 1 knurled nut U411
- copper contact models : 1 hex nut U42 and 1 knurled nut U411
Standard and special hardware are presented in section I.



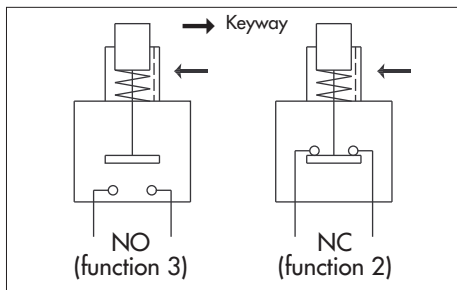
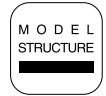
Packaging unit : 40 pieces, except model 1200.L (50 pieces).

The company reserves the right to change specifications without notice.

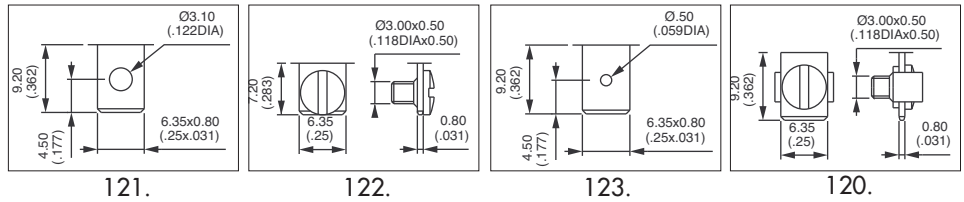
1200 series

Momentary pushbutton switches - round plunger

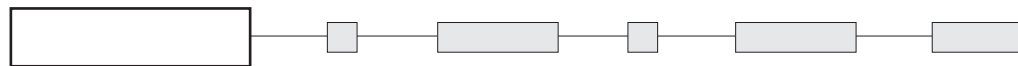
Solder lug/quick-connect terminals - screw terminals



- Single pole configurations
- Approved models : see following pages
- Panel cut-out : $\varnothing 12,2 (.480)$



MODEL STRUCTURE



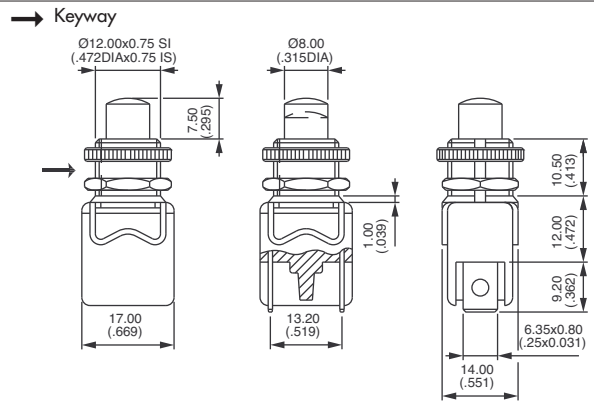
Plunger height : NO model : 7,50 mm, NC model : 5,80 mm

B2

Solder lug/quick-connect terminals



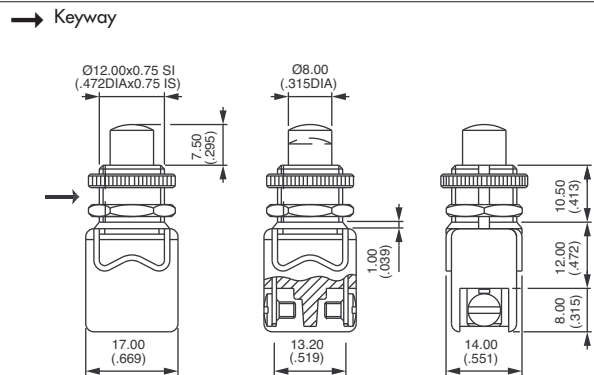
1212		Normally Closed
1213		Normally Open



Screw terminals



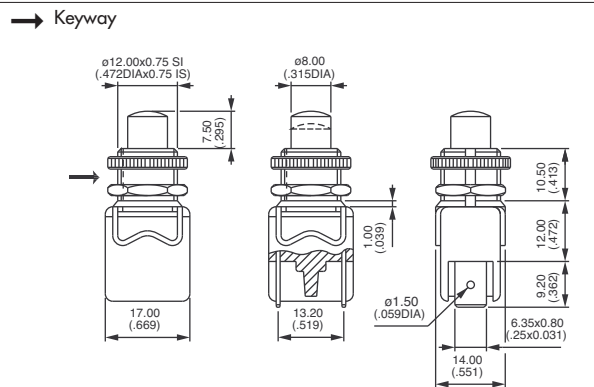
1222		Normally Closed
1223		Normally Open



Normalized quick-connect terminals



1232		Normally Closed
1233		Normally Open





1200 series

Momentary pushbutton switches - round plunger

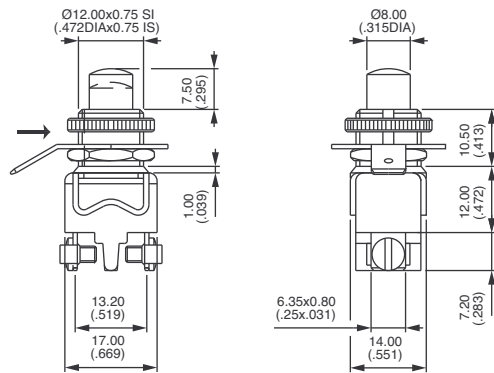
Plunger height : NO model : 7,50 mm, NC model : 5,80 mm

Straight screw terminals + clamp



1202		Normally Closed
1203		Normally Open

→ Keyway

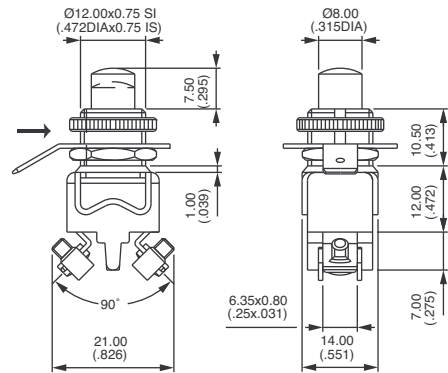


Right angle screw terminals + clamp



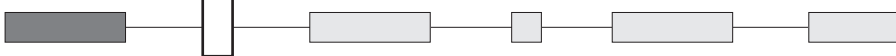
1203-7		Normally Open
--------	--	---------------

→ Keyway



B2

CONTACT MATERIALS



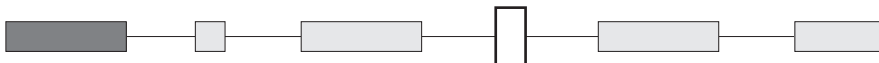
- A Silver
- C Copper, silver plated

FINISH



LUXE Chrome plated cap nut U117 instead of knurled nut U411

PLUNGER COLOURS



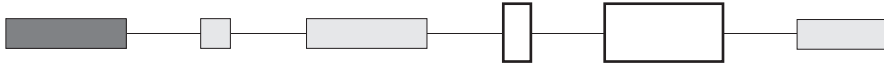
2 : Black - 3 : Green - 6 : Red - 7/1 : White

1200 series

Momentary pushbutton switches - round plunger



SPECIAL MODELS



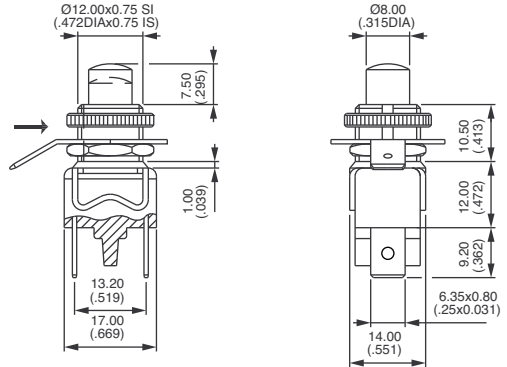
X209 NF standard marked - Silver contacts

→ Keyway



1233A•X209 Normally open

Replace • with the desired plunger colour.



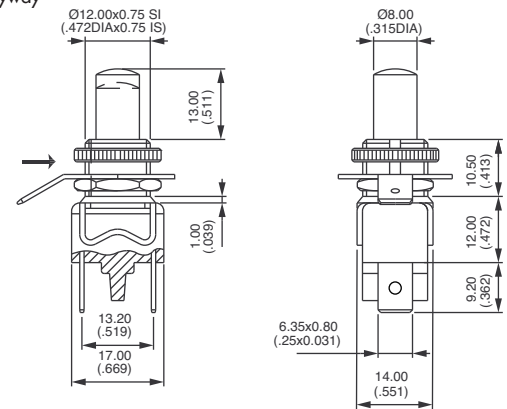
X209L NF standard marked - Silver contacts

→ Keyway



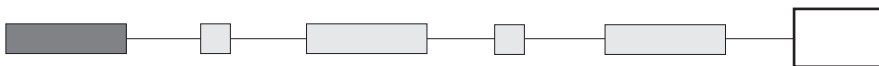
1233A•X209L Normally open

Replace • with the desired plunger colour.



NOTE : Ground connector **U187** compulsory on models X209 and X209L if the panel is not metallic or not connected to ground. Order separately : see section I.

AGENCY APPROVALS



NF All models

UL-CSA All models function 3 (NO), including X209 and X209L

Marking : to order switches marked NF, UL or CSA, complete above box with desired approvals.

1200M/MR series

Robust momentary pushbutton switches - metal plunger

Distinctive features and specifications

UG1410A



- Butt action contacts, double break
- UL and CSA approved

ELECTRICAL SPECIFICATIONS

- Max. current/voltage rating with resistive load :
 - silver contacts (A) : 4A 250VAC - 8A 125VAC - 4A 24VDC - 8A 12VDC
 - silver plated copper contacts (C) : 2A 250VAC - 3A 125VAC - 2A 14VDC - 3A 12VDC
- Initial contact resistance : 10 mΩ max.
- Insulation resistance : 1.000 MΩ min. at 500VDC
- Dielectric strength :
 - 2.000 Vrms 50 Hz min. between terminals
 - 3.000 Vrms 50 Hz min. between terminals and frame
- Electrical life : 10.000 cycles at full load

MATERIALS

- Case : polyamide
- Plunger : top chrome plated brass on polyamide base
- Bushing : brass, nickel plated
- Cap nut : brass, chrome plated
- Contacts : **A** : silver
C : copper, silver plated

GENERAL SPECIFICATIONS

- Torque : 1,50 Nm (1.10 Ft.lb) max. applied to nut
- Panel thickness : 4,5 mm (.177) max.
- Total travel :
 - NO : 4,5 mm (.177) +/- 0,3 (.011)
 - NC : 3,5 mm (.137) +/- 0,3 (.011)
- Operating temperature : -20°C to +55°C

AGENCY APPROVALS



4A 250VAC - 8A 125VAC

Availability : approved models are 1213A and 1203A (M or MR) (model 1223A is only UL approved).

Marking : to order switches marked UL or CSA, complete appropriate box of ordering format.

ABOUT THIS SERIES

Dimensions : first dimensions are in mm while inches are shown as bracketed numbers.



Mounting accessories : standard hardware supplied with all models : 1 hex nut U166 and 1 conic cap nut U1866-6. Special cap nut U1874 is presented on the following pages.



Packaging unit : 40 pieces

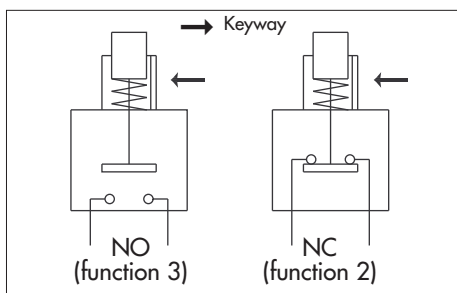
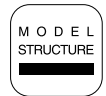
The company reserves the right to change specifications without notice.



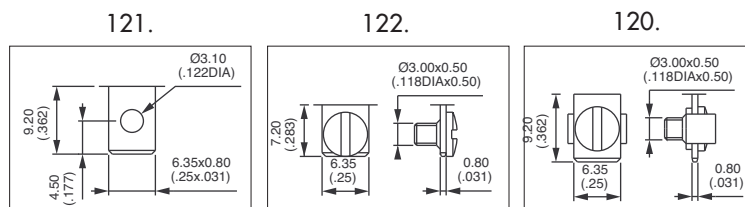
1200M/MR series

Robust momentary pushbutton switches - metal plunger

Solder lug/quick-connect terminals - screw terminals



- Flat or curved plunger
- Panel cut-out \varnothing 12,2 (.480)
- Single pole



MODEL STRUCTURE



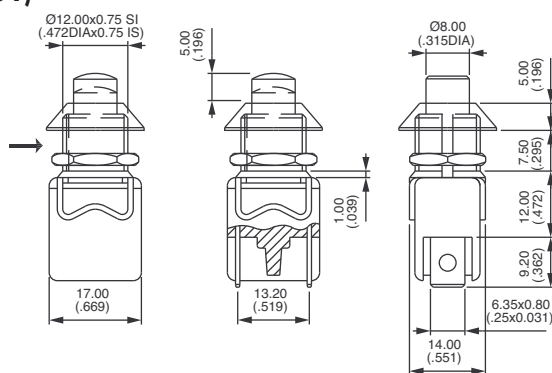
B2

Solder lug/quick-connect terminals 6,35 x 0,8 (.250 x .031) → Keyway



Curved plunger Flat plunger

1212MR	1212M		NC
1213MR	1213M		NO

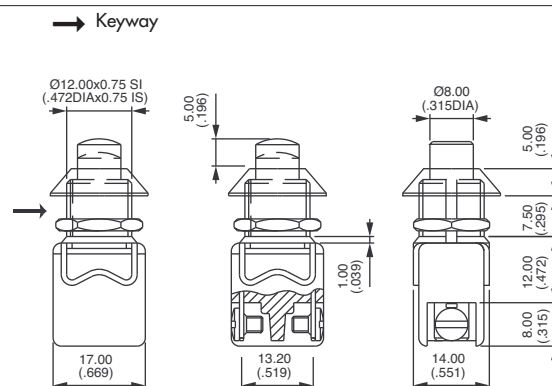


Screw terminals



Curved plunger Flat plunger

1222MR	1222M		NC
1223MR	1223M		NO

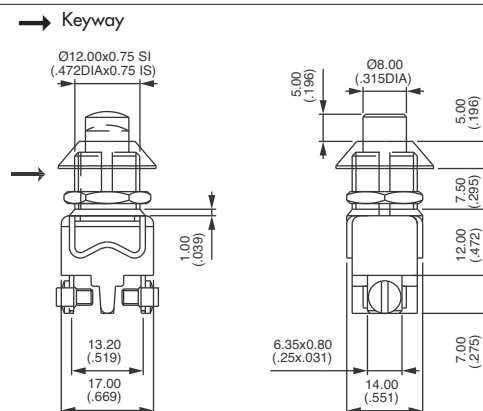


Screw terminals + clamp



Curved plunger Flat plunger

1202MR	1202M		NC
1203MR	1203M		NO





1200M/MR series

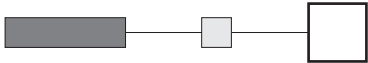
Robust momentary pushbutton switches - metal plunger

CONTACT MATERIALS



- A Silver
C Copper, silver plated

AGENCY APPROVALS



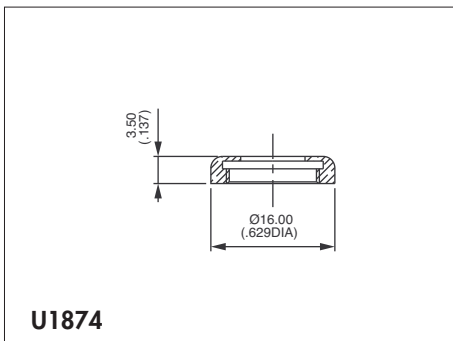
UL - CSA

Availability : approved models are 1213A and 1203A (M or MR) - model 1223A is only UL approved.

Marking : to order switches marked UL or CSA, complete above box with desired approvals.

SPECIAL CAP NUT

Chrome plated cap nut \varnothing 16 (.629), flat and plain.
Can be supplied instead of standard cap nut U1866-6.
Order separately.



X-ON Electronics

Largest Supplier of Electrical and Electronic Components

Click to view similar products for [apem](#) manufacturer:

Other Similar products are found below :

[48](#) [TW11GRY1](#) [SLB13814](#) [SLC120025](#) [DA04T](#) [Q6F1CXXB24](#) [SLG12004](#) [SLB1281R5](#) [DPL-02](#) [DA08](#) [5D15F1534](#) [M11L0A1M](#)
[M11L0B1M](#) [M21L0E1C](#) [M31L0M1M](#) [CW-A0BK1A00A0](#) [MAB6B](#) [A019101](#) [A019305](#) [A019409](#) [A029301](#) [A1PCA0X106J103](#)
[Q16F1BXXR12E](#) [Q22F1BXXY12E](#) [Q22F1CXXB24E](#) [Q22F1CXXG12E](#) [Q8P1BXXY110E](#) [Q8P3BXXG12E](#) [Q8P7BZZRYG12E](#)
[Q8R3BXXG02E](#) [121442RA](#) [HF-33S10](#) [HF44R11](#) [HF45R10](#) [HFX44S00](#) [DMR10](#) [DSR04T](#) [AV0830C900](#) [AV19810KMZB](#) [MSS22](#)
[BD150A01RE0000](#) [HS1T24GA](#) [1D09034](#) [1Z03](#) [1ZZ](#) [NZAA0477](#) [NZAA1475](#) [NZAB1475](#) [NZAB1477](#) [9433CDB](#)