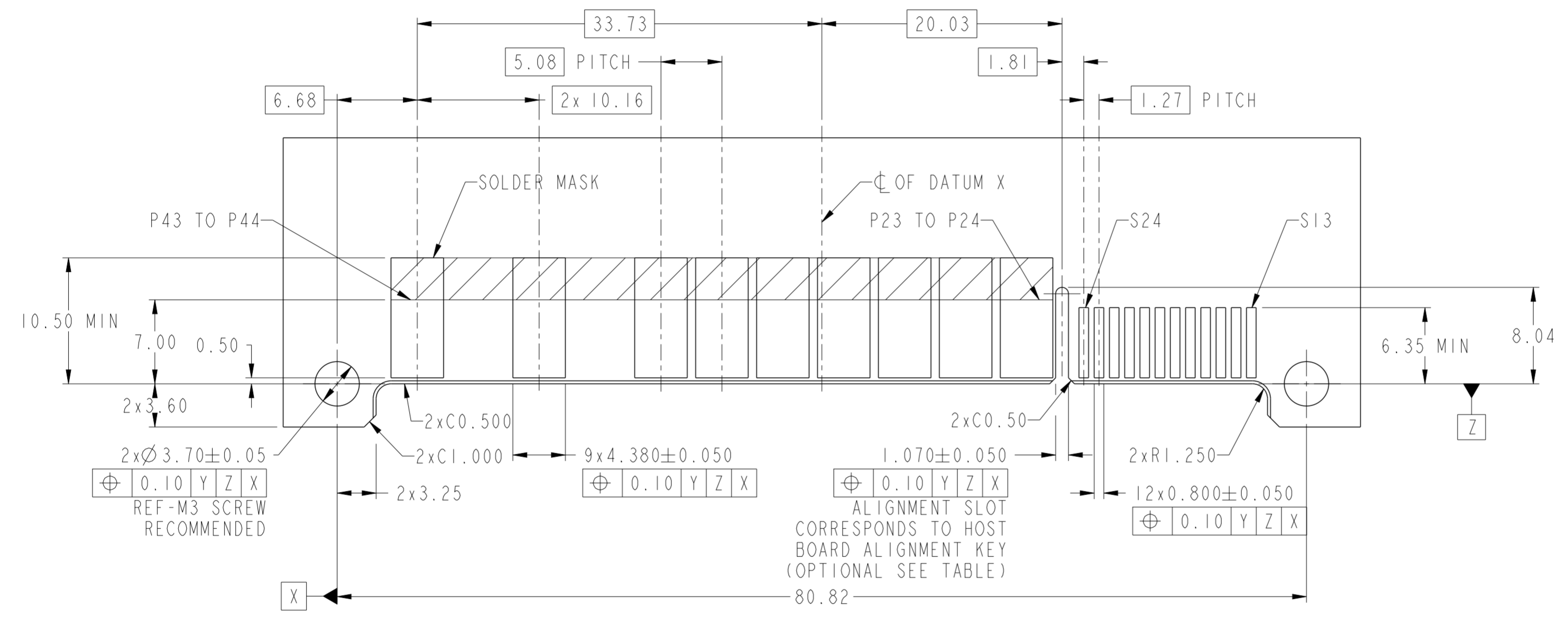


spec ref	-	dr	Sunny2 Liu	2016/06/01	projection	MM	size	A2	scale	4:1
tolerance std	ASME Y14.5	eng	Sunny2 Liu	2016/06/08			ecn no	-	rel level	Released
TOLERANCES UNLESS OTHERWISE SPECIFIED		chr	Terris Liu	2016/06/08						
surface	ASME Y14.5	appr	Pai-Ming Zheng	2016/06/08	product family	CARD EDGE	dwg no	10139866	rev	A
	linear	0.X	±0.5		cat. no.	-	Product - Customer Drw	sheet 1 of 4		
		0.XX	±0.25							
		0.XXX	±0.10							
	angular	0°	±2°							

PDS: Rev :A

STATUS:Released

Printed: Jun 08, 2016



RECOMMENDED HOST BOARD LAYOUT  
DIMENSION TOLERANCE IS 0.05MM

spec ref	-	dr	Sunny2 Liu	2016/06/01	projection	MM	size	A2	scale	2:1		
tolerance std	ASME Y14.5	eng	Sunny2 Liu	2016/06/08			ecn no	-	rel level	Released		
TOLERANCES UNLESS OTHERWISE SPECIFIED		chr	Terris Liu	2016/06/08								
		appr	Pai-Ming Zheng	2016/06/08								
surface	linear	0.X	±0.5		product family		-	-	-	-		
		0.XX	±0.25		HPCE STMT RECPT						dwg no 10139866	rev A
		0.XXX	±0.10		22LP24S OMITTED 4LP							
	angular	0°	±2°	cat. no.	-	Product - Customer Drw	sheet 2 of 4					

PDS: Rev :A

STATUS:Released

Printed: Jun 08, 2016

Amphenol FCI

© 2016 AFCI

A

B

C

D

E

F

A

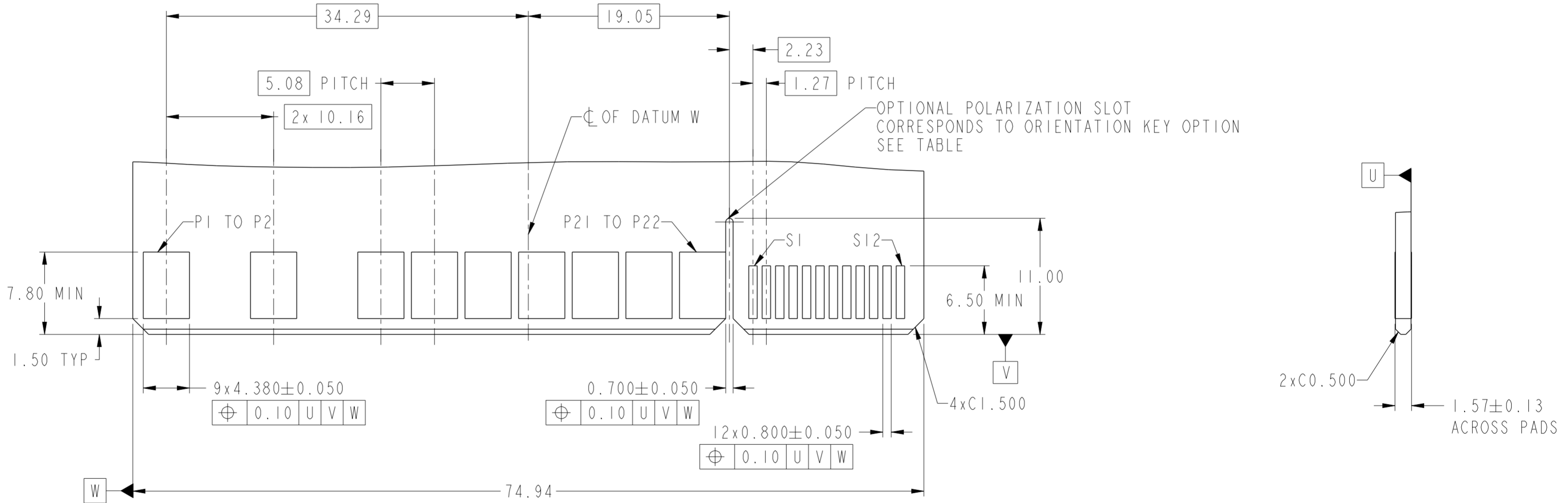
B

C

D

E

F



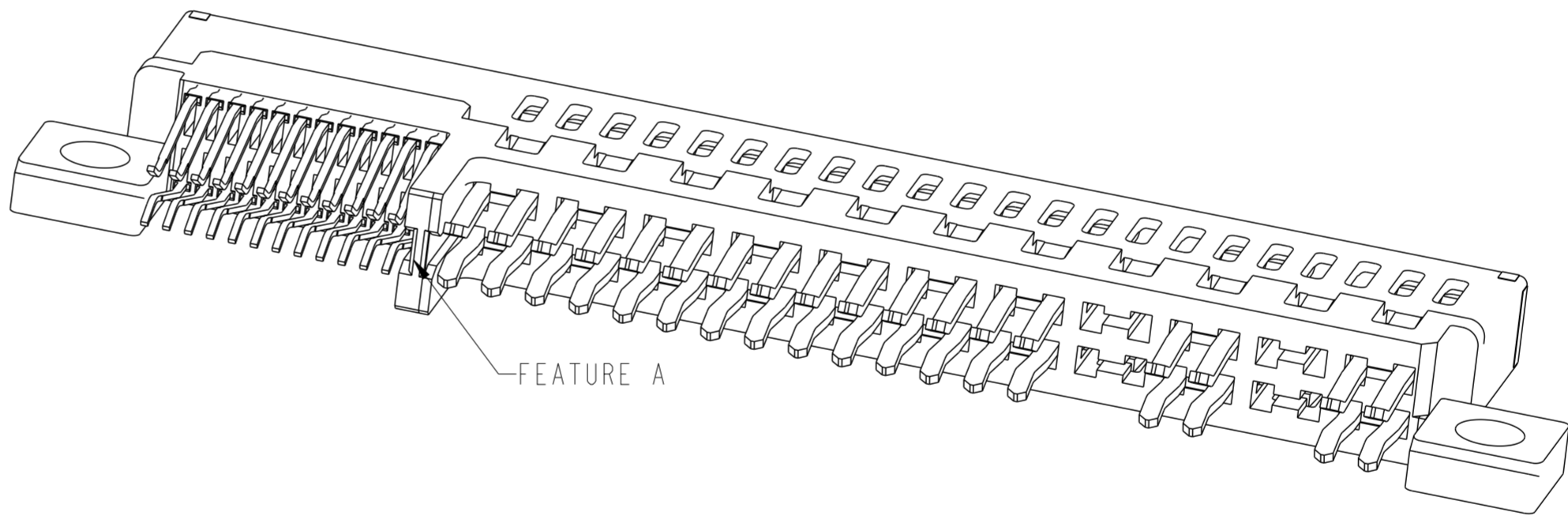
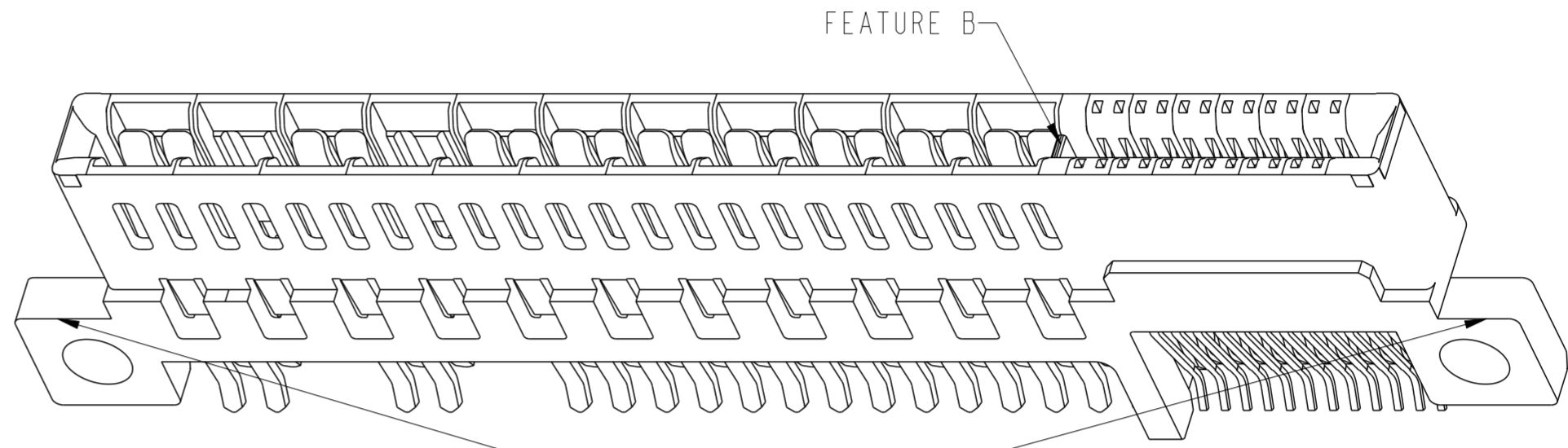
**RECOMMENDED MATING BOARD  
DIMENSION TOLERANCE IS 0.05MM**

**Amphenol  
FCi**

© 2016 AFci

spec ref	-	dr	Sunny2 Liu	2016/06/01	projection	MM	size	A2	scale	1:1
tolerance std	ASME Y14.5	eng	Sunny2 Liu	2016/06/08			ecn no	-	rel level	Released
TOLERANCES UNLESS OTHERWISE SPECIFIED		chr	Terris Liu	2016/06/08						
surface	ASME Y14.5	appr	Pei-Ming Zheng	2016/06/08	product family	-	rel level	Released	cat. no.	-
linear	0.X ±0.5 0.XX ±0.25 0.XXX ±0.10	Amphenol FCi	HPCE STMT RECPT 22LP24S OMITTED 4LP		dwg no	10139866		rev	A	
angular	0° ±2°	Product - Customer Drw		sheet 3 of 4						

PART NUMBER	FEATURE A HOST BOARD ALIGNMENT KEY (SEE NOTE 7)	FEATURE B FRONT ORIENTATION KEY	FEATURE C MOUNTING EARS
10139866-001LF	NO	NO	YES
10139866-002LF	YES		
10139866-003LF	NO	YES	
10139866-004LF	YES		



NOTES:

- CONNECTOR MATERIALS:  
HOUSING: HIGH TEMPERATURE THERMAL PLASTIC, BLACK  
UL 94V-0 COMPLIANT  
CONTACTS: HIGH PERFORMANCE COPPER ALLOY.
- CONTACT FINISH REF. GS-12-604 SECTION 5.2.
- PRODUCT SPECIFICATION: GS-12-604.
- APPLICATION SPECIFICATION: GS-20-128.
- PRODUCT MARKING ON HOUSING IN AREA SHOWN MEETS AFCI SPECIFICATION: GS-24-007.
- PACKAGING MEETS FCI SPECIFICATION: GS-14-937.
- HOST BOARD ALIGNMENT KEY IS RECOMMENDED TO ENSURE PROPER ALIGNMENT OF SOLDER TAILS WITH HOST BOARD PADS.

spec ref	-	dr	Sunny2 Liu	2016/06/01	projection	MM	size	A2	scale	4:1	
tolerance std	ASME Y14.5	eng	Sunny2 Liu	2016/06/08			ecn no	-	rel level	Released	
TOLERANCES UNLESS OTHERWISE SPECIFIED		chr	Terris Liu	2016/06/08			product family	CARD EDGE		rel level	Released
surface	linear	0.X	±0.5		<b>Amphenol FCI</b>		title	HPCE STMT RECPT		dwg no 10139866	rev A
		0.XX	±0.25		22LP24S OMITTED 4LP		cat. no.	-	Product - Customer Drw		
	angular	0°	±2°		PDS: Rev :A		STATUS:Released		Printed: Jun 08, 2016		

Amphenol  
FCI

© 2016 AFCI

## X-ON Electronics

Largest Supplier of Electrical and Electronic Components

*Click to view similar products for [Power to the Board](#) category:*

*Click to view products by [Amphenol](#) manufacturer:*

Other Similar products are found below :

[10131318-08512GRLF](#) [6450171-4](#) [6450552-7](#) [6600323-8](#) [6643429-1](#) [6646040-2](#) [6651939-1](#) [6766604-1](#) [120959-1](#) [1393557-2](#) [1393532-2](#)  
[1393532-3](#) [1393532-4](#) [1393557-1](#) [1600812-5](#) [1-6450861-2](#) [1645595-1](#) [1743490-1](#) [1744132-7](#) [1761122-1](#) [1766169-1](#) [1766250-1](#) [18362](#)  
[1892109-1](#) [1-967627-6](#) [2226808-1](#) [2-6450860-5](#) [2-6450860-6](#) [2-6450870-0](#) [93003-0502](#) [953552-1](#) [1-6450161-4](#) [1-6450850-6](#) [1645526-2](#) [1-](#)  
[6600130-0](#) [1743419-1](#) [1766150-1](#) [2005243-2](#) [211110-1](#) [2-6600130-2](#) [TE34-12-16P-F0](#) [5-6450830-6](#) [5646956-4](#) [36662-0005](#) [40585-3000](#) [4-](#)  
[6450830-9](#) [4-6600333-3](#) [51142-0214](#) [10134048-911LF](#) [10130248-005LF](#)