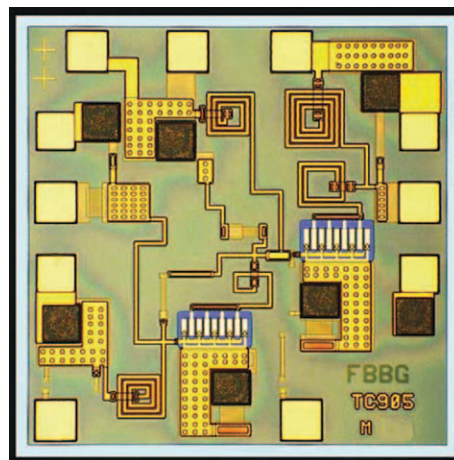


Keysight Technologies

HMMC-5618 6–20 GHz Medium Power Amplifier

1GG6-8002

Data Sheet



Features

- High efficiency:
11% @ P_{-1} dB typical
- Output power, P_{-1} dB:
18 dBm typical
- High gain: 14 dB typical
- Flat gain response: ± 0.5 dB typical
- Low input/output VSWR:
< 1.7:1 typical
- Single supply bias:
5 volts (@ 115 mA typical)
with optional gate bias

Description

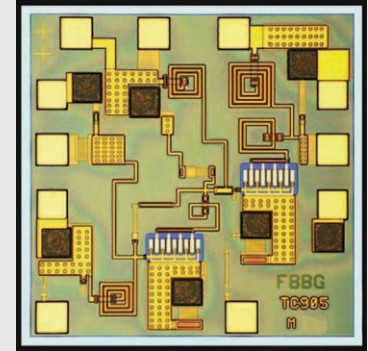
The HMMC-5618 66 to 20 GHz MMIC is an efficient two-stage mediumpower amplifier that is designed to be used as a cascadable intermediate gain block for EW applications. In communication systems, it can be used as an amplifier for a local oscillator or as a transmit amplifier. It is fabricated using a PHEMT integrated circuit structure that provides exceptional efficiency and flat gain performance. During typical operation, with a single 5-volt DC power supply, each gain stage is biased for Class-A operation for optimal power output with minimal distortion. The RF input and RF output has matching circuitry for use in 50 Ω environments.

The backside of the chip is both RF and DC ground. This helps simplify the assembly process and reduces assembly related performance variations and costs.

Absolute Maximum Ratings¹

Symbol	Parameters/conditions	Min	Max	Units
V_{D1}, V_{D2}	Drain supply voltage		5.5	Volts
V_{G1}	Optional gate supply voltage	-5	+1	Volts
V_{G2}	Optional gate supply voltage	-10	+1	Volts
I_{D1}	Drain supply current		70	mA
I_{D2}	Drain supply current		84	mA
P_{in}	RF input power ²		20	dBm
T_{ch}	Channel temperature ³		160	°C
T_A	Backside ambient temperature	-55	+100	°C
T_{st}	Storage temperature	-65	+150	°C
T_{max}	Maximum assembly temp.		300	°C

1. Absolute maximum ratings for continuous operation unless otherwise noted.
2. Operating at this power level for extended (continuous) periods is not recommended.
3. Refer to DC specifications/physical properties table for derating information.



Chip Size:
920 x 920 μm (36.2 x 36.2 mils)
Chip Size Tolerance:
 $\pm 10 \mu\text{m}$ (± 0.4 mils)
Chip Thickness:
 $127 \pm 15 \mu\text{m}$ (5 ± 0.6 mils)
Pad Dimensions:
 $80 \times 80 \mu\text{m}$ (3.2 x 3.2 mils)

DC Specifications/Physical Properties¹

Symbol	Parameters/conditions	Min.	Typ.	Max	Units
V_{D1}, V_{D2}	Drain supply voltage	3.0	5.0	5.5	volts
I_{D1}	Stage-one drain supply current ($V_{D1} = 5\text{ V}$, $V_{G1} = \text{open or ground}$)		50		mA
I_{D2}	Stage-two drain supply current ($V_{D2} = 5\text{ V}$, $V_{G2} = \text{open or ground}$)		65		mA
$I_{D1} + I_{D2}$	Total drain supply current ($V_{D1} = V_{D2} = 5\text{ V}$, $V_{G1} = V_{G2} = \text{open or ground}$)		115	140	mA
V_{P1}	Optional input-stage gate supply pinch-off voltage ($V_{D1} = 5\text{ V}$, $I_{D1} < 3\text{ mA}$: input stage OFF ²)	-4	-2.8		volts
I_{G1}	Gate supply current (input stage OFF ²)		0.9		mA
V_{P2}	Optional output-stage gate supply pinch-off voltage ($V_{D2} = 5\text{ V}$, $I_{D2} < 3.6\text{ mA}$: output stage OFF ²)	-7.5	-5.3		volts
I_{G2}	Gate supply current (output stage OFF ²)		1.7		mA
$\theta_{\text{ch-bs}}$	Thermal resistance ³ (channel-to-backside at $T_{\text{ch}} = 50\text{ }^{\circ}\text{C}$)		87		$^{\circ}\text{C}/\text{W}$
T_{ch}	Channel temperature ⁴ ($T_A = 100\text{ }^{\circ}\text{C}$, MTTF $> 10^6$ hrs, $V_{D1} = V_{D2} = 5\text{ V}$, $V_{G1} = V_{G2} = \text{open}$)		150		$^{\circ}\text{C}$

1. Backside ambient operating temperature $T_A = 25\text{ }^{\circ}\text{C}$ unless otherwise noted.
2. The specified FET stage is in the OFF state when biased with a gate voltage level that is sufficient to pinch off the drain current.
3. Thermal resistance (in $^{\circ}\text{C}/\text{Watt}$) at a channel temperature $T(^{\circ}\text{C})$ can be estimated using the equation: $\theta(T) \approx 87 \times [T(^{\circ}\text{C})+273] / [150^{\circ}\text{C}+273]$.
4. Derate MTTF by a factor of two for every $8\text{ }^{\circ}\text{C}$ above T_{ch} .

RF Specifications

($T_A = 25\text{ }^{\circ}\text{C}$, $V_{D1} = V_{D2} = 5\text{ V}$, $V_{G1} = V_{G2} = \text{open or ground}$, $Z_0 = 50\text{ }\Omega$)

Symbol	Parameters/conditions	6 to 18 GHz			5.9 to 20 GHz		Units
		Typ	Min	Max	Min	Max	
Gain	Small signal gain	14	12		11.5		dB
ΔGain	Gain flatness	± 0.5					dB
$\Delta S_{21} / \Delta T$	Temperature coefficient of gain	-0.025					dB/ $^{\circ}\text{C}$
$(RL_{\text{in}})_{\text{min}}$	Minimum input return loss	12	10		9		dB
$(RL_{\text{out}})_{\text{min}}$	Minimum output return loss	12	10		10		dB
Isolation	Reverse isolation	40					dB
$P_{-1\text{ dB}}$	Output power at 1 dB gain compression	18	17		17		dBm
P_{sat}	Saturated output power ($P_{\text{in}} = 10\text{ dBm}$)	20	18.5		18.5		dBm
NF	Noise figure	5.5		7		7	dB

Applications

The HMMC-5618 is a GaAs MMIC medium-power amplifier designed for optimum Class-A efficiency and flat gain performance from 6 GHz to 20 GHz. It has applications as a cascadable gain stage for EW amplifier, buffer stages, LO-port driver, phasedarray radar, and transmitter amplifiers used in commercial communication systems. The MMIC solution is a cost effective alternative to hybrid assemblies.

Biasing and Operation

The MMIC amplifier is normally biased with a single positive drain supply connected to both V_{D1} and V_{D2} bond pads as shown in Figures 10 and 11. The recommended drain supply voltage is 3 to 5 volts. If desired, the first stage drain bonding pad can be biased separately to provide a small amount of gain slope control or bandwidth extension as demonstrated in Figure 2.

No ground wires are required because all ground connections are made with plated through-holes to the backside of the device.

Gate bias pads (V_{G1} and V_{G2}) are also provided to allow adjustments in gain, RF output power, and DC power dissipation, if necessary. No connection to the gate pads is needed for single drain-bias operation. However, for custom applications, the DC current flowing through the input and/or output gain stage may be adjusted by applying a voltage to the gate bias pad(s) as shown in Figure 11. A negative gate-pad voltage will decrease the drain current. The gate-pad voltage is approximately zero volts during operation with no DC gate supply. Refer to the “Absolute maximum ratings” table for allowed DC and thermal conditions.

Assembly Techniques

It is recommended that the RF input, RF output, and DC supply connections be made using 0.7 mil diameter gold wire. The device has been designed so that optimum performance is realized when the RF input and RF output bond-wire inductance is approximately 0.2 nH (10 mils) as demonstrated in Figures 4, 6, and 7.

GaAs MMICs are ESD sensitive. ESD preventive measures must be employed in all aspects of storage, handling, and assembly.

MMIC ESD precautions, handling considerations, die attach and bonding methods are critical factors in successful GaAs MMIC performance and reliability.

Keysight GaAs MMIC ESD, Die Attach and Bonding Guidelines – Application Note (5991-3484) provides basic information on these subjects.

Additional References:

HMMC-5618 (6–20 GHz) Amplifier – Application Note

HMMC-5618 Driven by an HMMC-5020 – Application Note

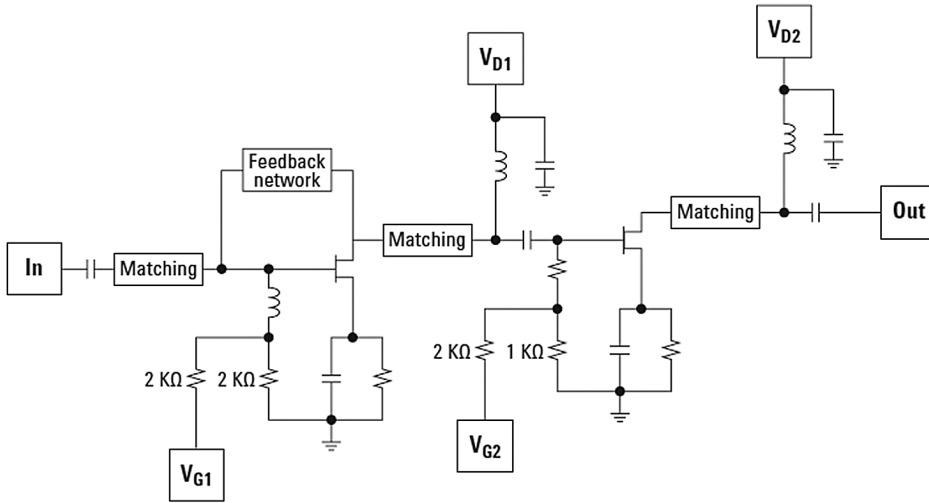


Figure 1. Simplified schematic diagram

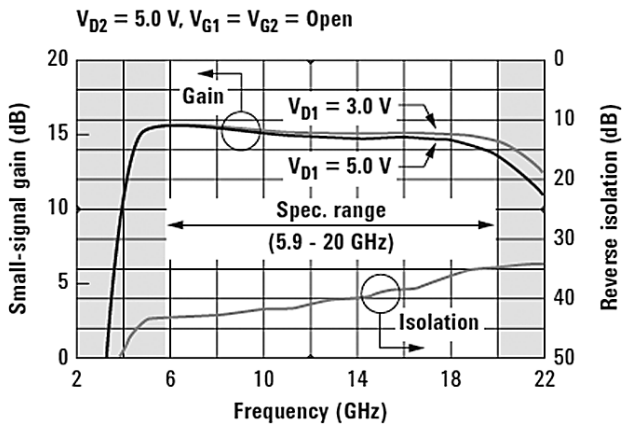


Figure 2. Gain and isolation vs. frequency

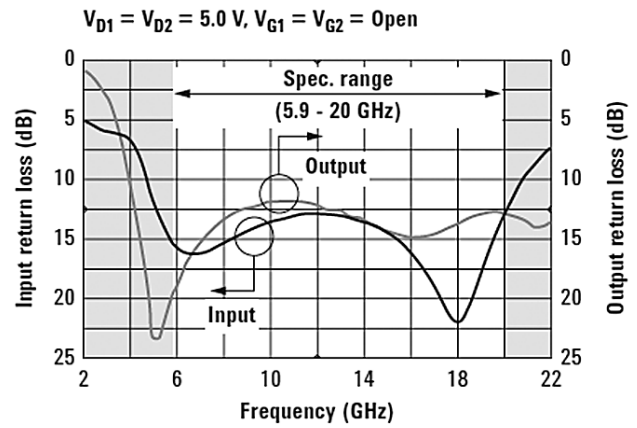


Figure 3. Input and output return loss vs. frequency

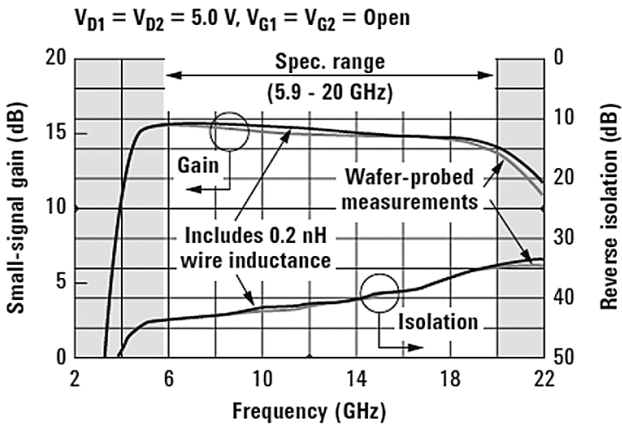


Figure 4. Effects of input/output bond wire inductance on gain and isolation

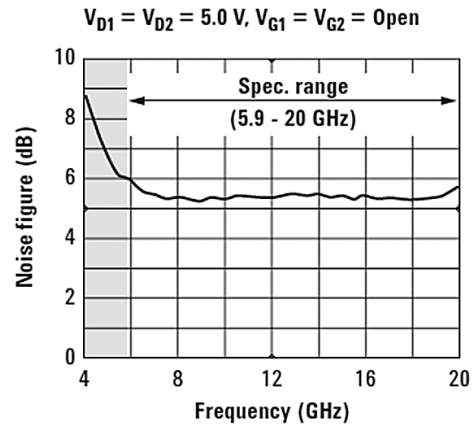


Figure 5. Noise figure vs. frequency

Typical S-Parameters¹

($T_A = 25\text{ }^\circ\text{C}$, $V_{D1} = V_{D2} = 5.0\text{ V}$, $V_{G1} = V_{G2} = \text{Open}$, $Z_0 = 50\text{ }\Omega$)

Freq. (GHz)	S ₁₁			S ₁₂			S ₂₁			S ₂₂		
	dB	Mag	Ang	dB	Mag	Ang	dB	Mag	Ang	dB	Mag	Ang
2.0	-4.8	0.574	-140.8	-71.2	0.000	-73.5	-43.0	0.0070	117.3	-0.9	0.901	-75.4
2.5	-5.6	0.526	-166.9	-74.4	0.000	-12.0	-25.3	0.0544	-113.7	-1.6	0.835	-99.7
3.0	-6.0	0.501	166.4	-73.6	0.000	-41.3	-8.0	0.3981	-124.1	-3.3	0.687	-127.0
3.5	-6.2	0.492	136.2	-55.9	0.002	-51.8	2.9	1.4008	-159.1	-6.1	0.498	-156.7
4.0	-6.7	0.461	99.3	-49.4	0.003	-94.9	10.4	3.3208	154.4	-10.3	0.305	171.1
4.5	-8.8	0.363	60.6	-45.5	0.005	-140.6	14.2	5.1331	104.5	-16.7	0.147	133.8
5.0	-11.9	0.255	30.7	-43.8	0.006	-179.4	15.4	5.9052	62.9	-23.2	0.069	76.1
5.5	-14.4	0.190	10.9	-43.8	0.006	152.8	15.6	6.0539	31.6	-22.0	0.079	21.3
6.0	-15.8	0.163	-3.8	-43.4	0.007	132.6	15.6	6.0319	6.8	-18.9	0.114	-5.5
6.5	-16.4	0.152	-16.2	-43.4	0.007	116.8	15.6	6.0062	-14.1	-16.8	0.144	-19.6
7.0	-16.3	0.153	-27.4	-43.1	0.007	101.8	15.5	5.9669	-32.7	-15.4	0.171	-30.5
7.5	-16.0	0.159	-38.0	-43.0	0.007	87.6	15.5	5.9318	-49.7	-14.3	0.193	-39.4
8.0	-15.4	0.171	-48.2	-42.8	0.007	79.1	15.4	5.8635	-65.4	-13.5	0.212	-47.1
8.5	-14.9	0.180	-58.5	-42.7	0.007	68.9	15.4	5.8567	-80.0	-12.9	0.227	-54.4
9.0	-14.5	0.189	-67.5	-42.5	0.008	58.9	15.3	5.8232	-94.2	-12.5	0.237	-61.4
9.5	-14.1	0.198	-75.8	-42.3	0.008	50.2	15.2	5.7757	-107.8	-12.2	0.246	-67.8
10.0	-13.7	0.206	-83.6	-42.0	0.008	41.0	15.2	5.7385	-121.0	-12.0	0.252	-73.9
10.5	-13.4	0.214	-91.2	-42.0	0.008	33.7	15.1	5.7043	-133.8	-11.9	0.254	-79.6
11.0	-13.2	0.219	-98.3	-42.0	0.008	27.5	15.1	5.6618	-146.2	-11.9	0.253	-85.2
11.5	-13.0	0.223	-105.1	-41.7	0.008	19.8	15.0	5.6180	-158.4	-12.0	0.250	-90.0
12.0	-13.0	0.224	-111.4	-41.3	0.009	13.9	14.9	5.5801	-170.4	-12.2	0.245	-94.3
12.5	-13.0	0.224	-117.5	-40.9	0.009	6.2	14.9	5.5525	177.7	-12.5	0.238	-98.2
13.0	-13.1	0.221	-123.2	-40.8	0.009	1.0	14.9	5.5276	166.0	-12.8	0.230	-101.6
13.5	-13.3	0.217	-128.7	-40.5	0.009	-6.7	14.8	5.5138	154.2	-13.1	0.221	-104.3
14.0	-13.5	0.210	-134.1	-40.2	0.010	-12.5	14.8	5.5069	142.3	-13.5	0.211	-106.2
14.5	-13.9	0.201	-138.9	-40.0	0.010	-17.5	14.8	5.4997	130.5	-13.9	0.201	-107.1
15.0	-14.5	0.188	-143.4	-39.2	0.011	-25.3	14.8	5.5050	118.6	-14.4	0.191	-106.8
15.5	-15.2	0.174	-147.2	-39.1	0.011	-31.8	14.8	5.5089	106.3	-14.7	0.184	-105.4
16.0	-16.2	0.155	-150.0	-38.6	0.012	-38.9	14.8	5.5103	93.8	-14.9	0.180	-103.4
16.5	-17.5	0.133	-150.7	-38.4	0.012	-45.8	14.8	5.5013	80.9	-14.9	0.180	-100.3
17.0	-19.2	0.110	-147.8	-37.8	0.013	-52.1	14.8	5.4892	67.9	-14.6	0.186	-97.4
17.5	-21.1	0.088	-138.0	-37.3	0.014	-60.7	14.7	5.4475	54.4	-14.3	0.194	-95.6
18.0	-22.1	0.079	-117.7	-36.7	0.015	-69.6	14.7	5.4016	40.5	-13.7	0.206	-95.1
18.5	-20.7	0.092	-96.6	-35.9	0.016	-74.8	14.5	5.3231	26.1	-13.3	0.217	-96.0
19.0	-18.2	0.123	-83.9	-35.4	0.017	-85.0	14.3	5.2168	11.2	-13.0	0.224	-98.0
19.5	-15.4	0.169	-80.3	-35.0	0.018	-95.7	14.0	5.0371	-4.3	-12.9	0.226	-99.4
20.0	-13.0	0.224	-81.8	-34.8	0.018	-105.6	13.7	4.8240	-19.9	-13.0	0.225	-100.9
20.5	-11.1	0.278	-85.7	-34.7	0.018	-114.9	13.2	4.5580	-36.4	-13.3	0.217	-99.8
21.0	-9.6	0.332	-91.2	-34.2	0.020	-126.3	12.5	4.2135	-52.5	-13.8	0.205	-97.5
21.5	-8.3	0.384	-97.7	-34.3	0.019	-137.2	11.7	3.8489	-68.9	-14.0	0.199	-90.2
22.0	-7.3	0.432	-284.7	-34.2	0.020	-328.3	10.8	3.4671	-85.5	-13.4	0.214	-80.1

1. Data obtained from on-wafer measurements.

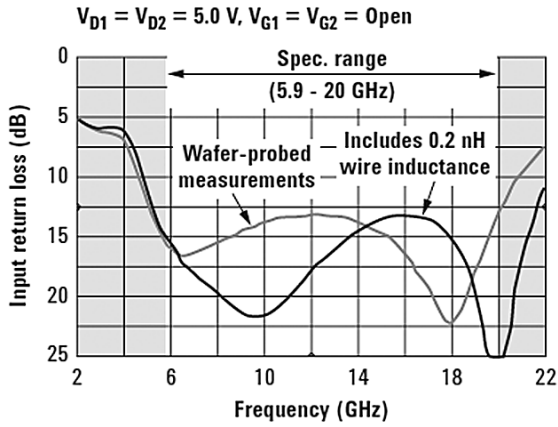


Figure 6. Effects of input/output bond wire inductance on input return loss

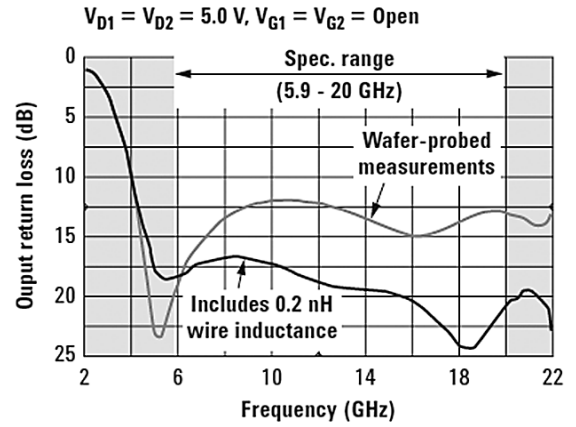


Figure 7. Effects of input/output bond wire inductance on output return loss

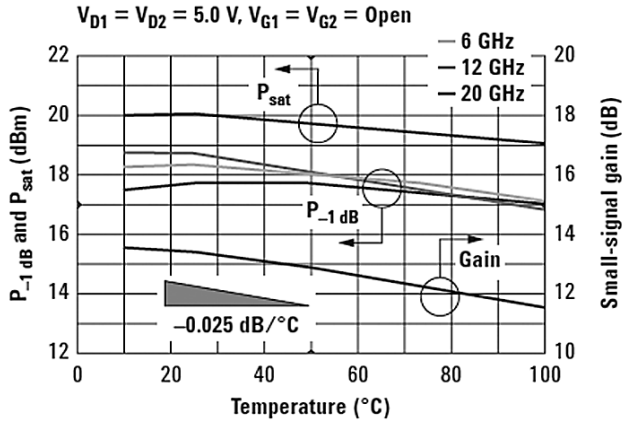


Figure 8. Power and gain vs. backside temperature

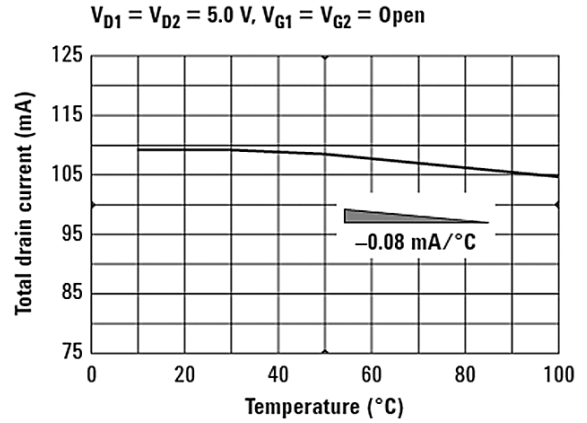
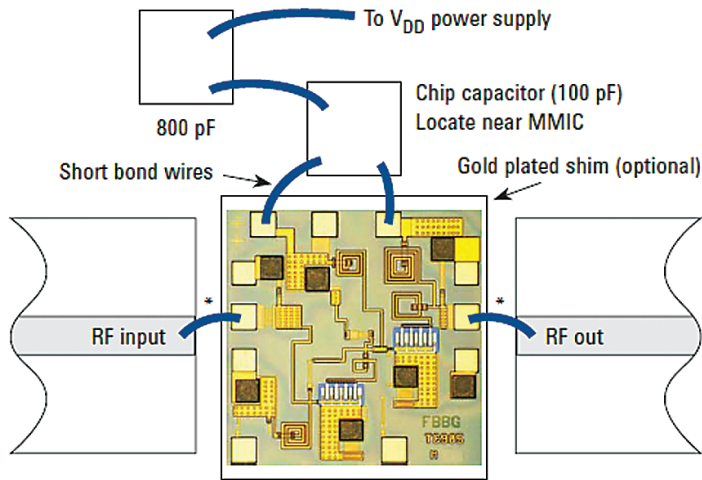
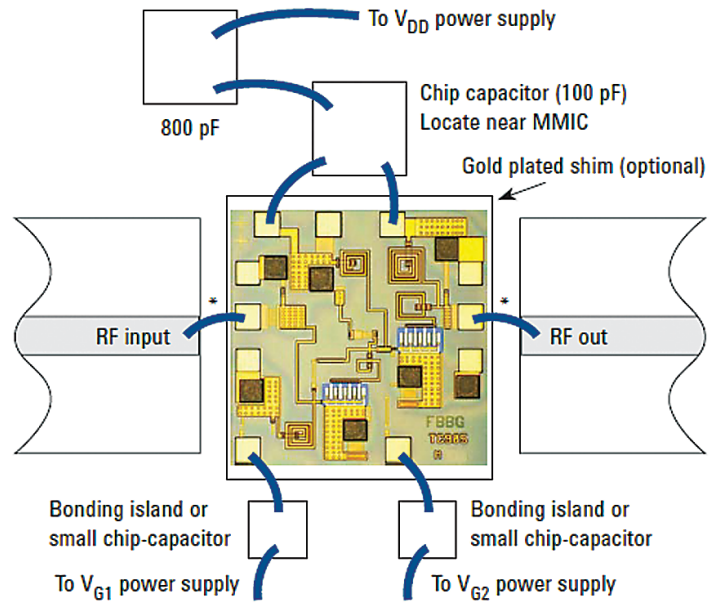


Figure 9. Drain current vs. backside temperature



* 0.2 nH bond wire inductance (10 mils)

Figure 10. Assembly for single drain-bias operation



* 0.2 nH bond wire inductance (10 mils)

Figure 11. Assembly with gate bias connections

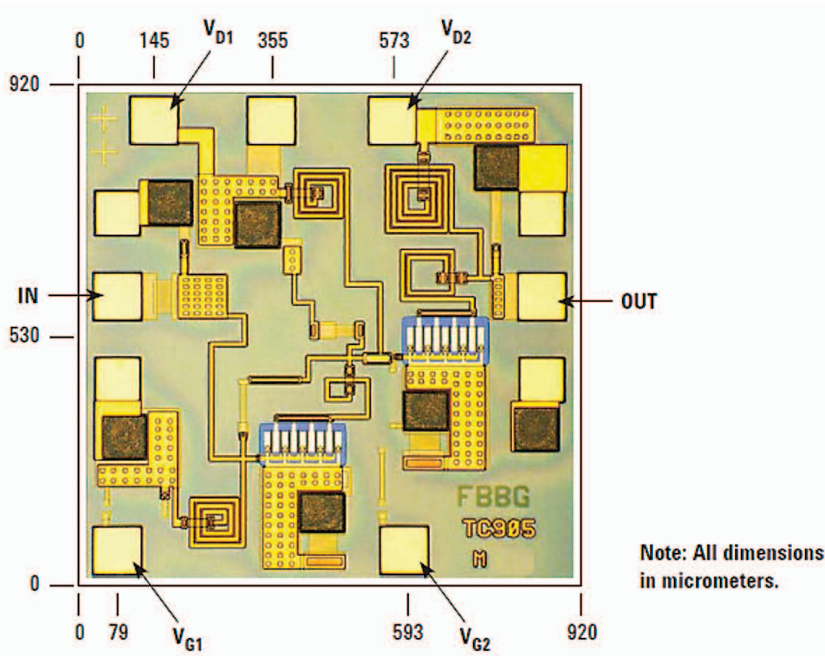


Figure 12. Bonding pad positions

Notes

This data sheet contains a variety of typical and guaranteed performance data. The information supplied should not be interpreted as a complete list of circuit specifications. Customers considering the use of this, or other TCA GaAs ICs, for their design should obtain the current production specifications from Keysight Technologies, Inc.. In this data sheet the term typical refers to the 50th percentile performance. For additional information and support email: mmic_help@keysight.com.

myKeysight

myKeysight

www.keysight.com/find/mykeysight

A personalized view into the information most relevant to you.



Three-Year Warranty

www.keysight.com/find/ThreeYearWarranty

Keysight's commitment to superior product quality and lower total cost of ownership. The only test and measurement company with three-year warranty standard on all instruments, worldwide.



Keysight Assurance Plans

www.keysight.com/find/AssurancePlans

Up to five years of protection and no budgetary surprises to ensure your instruments are operating to specification so you can rely on accurate measurements.



www.keysight.com/quality

Keysight Technologies, Inc.

DEKRA Certified ISO 9001:2008

Quality Management System

Keysight Channel Partners

www.keysight.com/find/channelpartners

Get the best of both worlds: Keysight's measurement expertise and product breadth, combined with channel partner convenience.

www.keysight.com/find/mmic

For more information on Keysight Technologies' products, applications or services, please contact your local Keysight office. The complete list is available at: www.keysight.com/find/contactus

Americas

Canada	(877) 894 4414
Brazil	55 11 3351 7010
Mexico	001 800 254 2440
United States	(800) 829 4444

Asia Pacific

Australia	1 800 629 485
China	800 810 0189
Hong Kong	800 938 693
India	1 800 112 929
Japan	0120 (421) 345
Korea	080 769 0800
Malaysia	1 800 888 848
Singapore	1 800 375 8100
Taiwan	0800 047 866
Other AP Countries	(65) 6375 8100

Europe & Middle East

Austria	0800 001122
Belgium	0800 58580
Finland	0800 523252
France	0805 980333
Germany	0800 6270999
Ireland	1800 832700
Israel	1 809 343051
Italy	800 599100
Luxembourg	+32 800 58580
Netherlands	0800 0233200
Russia	8800 5009286
Spain	0800 000154
Sweden	0200 882255
Switzerland	0800 805353
	Opt. 1 (DE)
	Opt. 2 (FR)
	Opt. 3 (IT)
United Kingdom	0800 0260637

For other unlisted countries:
www.keysight.com/find/contactus
 (BP-07-10-14)

X-ON Electronics

Largest Supplier of Electrical and Electronic Components

Click to view similar products for [keysight](#) manufacturer:

Other Similar products are found below :

[34904A](#) [34465A](#) [U5404A](#) [U3606B](#) [U1461A](#) [U1281A](#) [U1194A](#) [U1185A](#) [E3644A](#) [E3640A](#) [E3634A](#) [DSOX3014T](#) [10833F](#) [U1117A](#)
[U1232A](#) [U1452A](#) [82350C](#) [34460A](#) [N6745B](#) [N2782B](#) [N6773A](#) [10074D](#) [E3634A/0E3/902](#) [DAQA194A](#) [33511B/903](#) [N2820A](#) [N6734B](#)
[U1780A/903](#) [U8001A/0EM/903](#) [DAQM905A](#) [E3640A/0EM/903](#) [DAQM903A](#) [N6743B](#) [E3634A/0EM/903](#) [E3633A/0EM/903](#) [N4837A](#)
[N2891A](#) [E3648A/0E3/902](#) [E3642A/0EM/903](#) [U2781A](#) [33522B](#) [U1115A](#) [U1594A](#) [E36313A](#) [E363GPBU](#) [N1294A-001](#) [U2941A-107](#)
[DSOX1204A+D1200BW2A](#) [E36232A/903](#) [DSOX1204A/D1200BW2A](#)