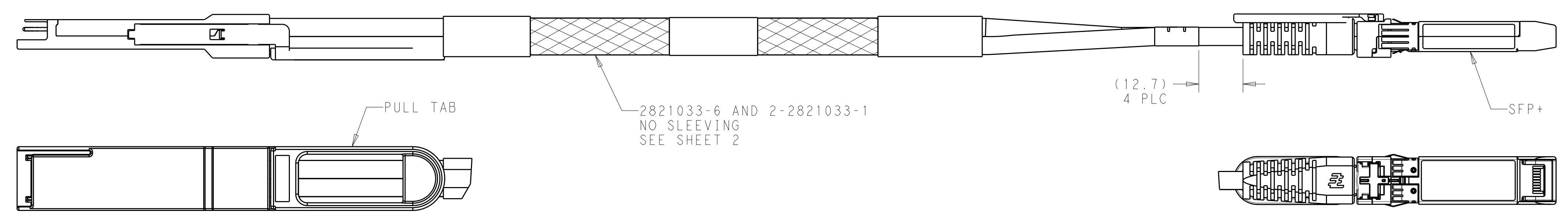
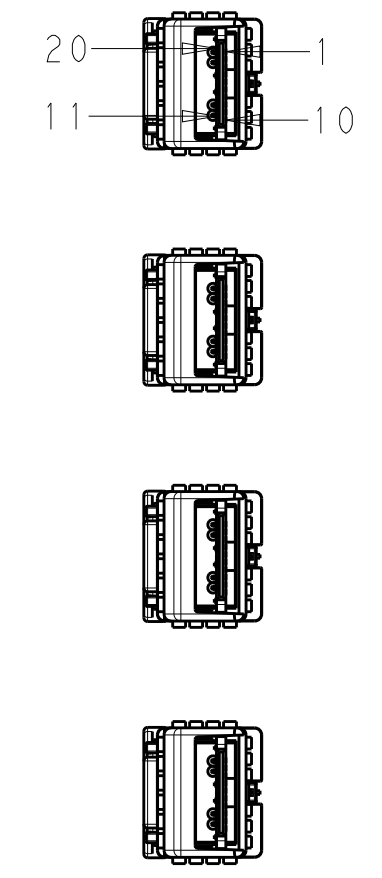
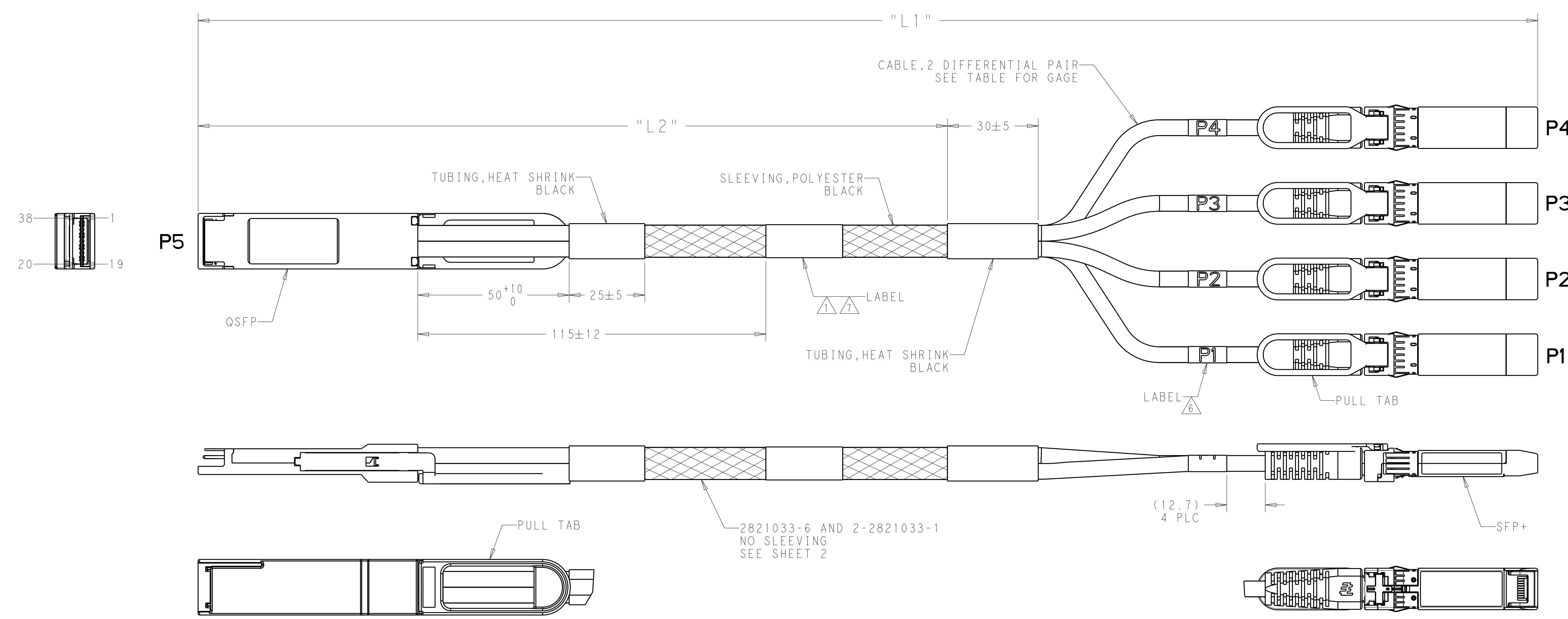
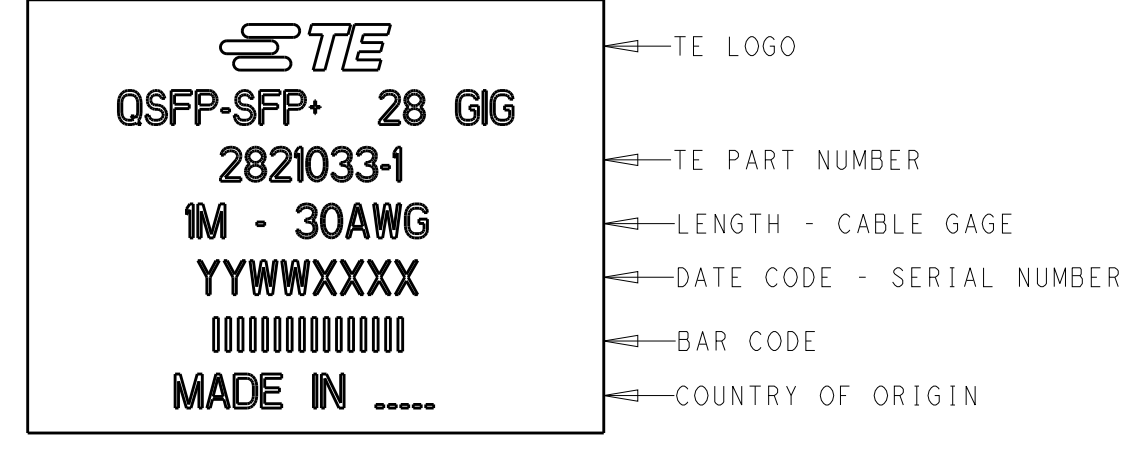


REVISIONS				
P.	LTN.	DESCRIPTION	DATE	OWN. APVD.
J		REDRAWN PER ECO-17-003216	07MAR2017	TS EC



△ LABEL INFORMATION: -1 SHOWN.



- SEE SHEET 2 FOR WIRING SCHEMATIC.
- PRODUCT AND PROCESSING MEETS THE REQUIREMENTS OF TE SPECIFICATION TEC-138-702.
- CABLE ASSEMBLY TO BE TESTED FOR OPENS, SHORTS AND PROPER EEPROM PROGRAM.

△ DUE TO SHORT CABLE LENGTH, THE PART NUMBERS INDICATED MAY NOT MEET IEEE802.3bj. RETURN LOSS AND MINIMUM INSERTION LOSS LIMITS.

△ LABEL INFORMATION: P1 SHOWN



△ SEE SHEET 2 FOR 2821033-6 AND 2-2821033-1 LABEL PLACEMENT.

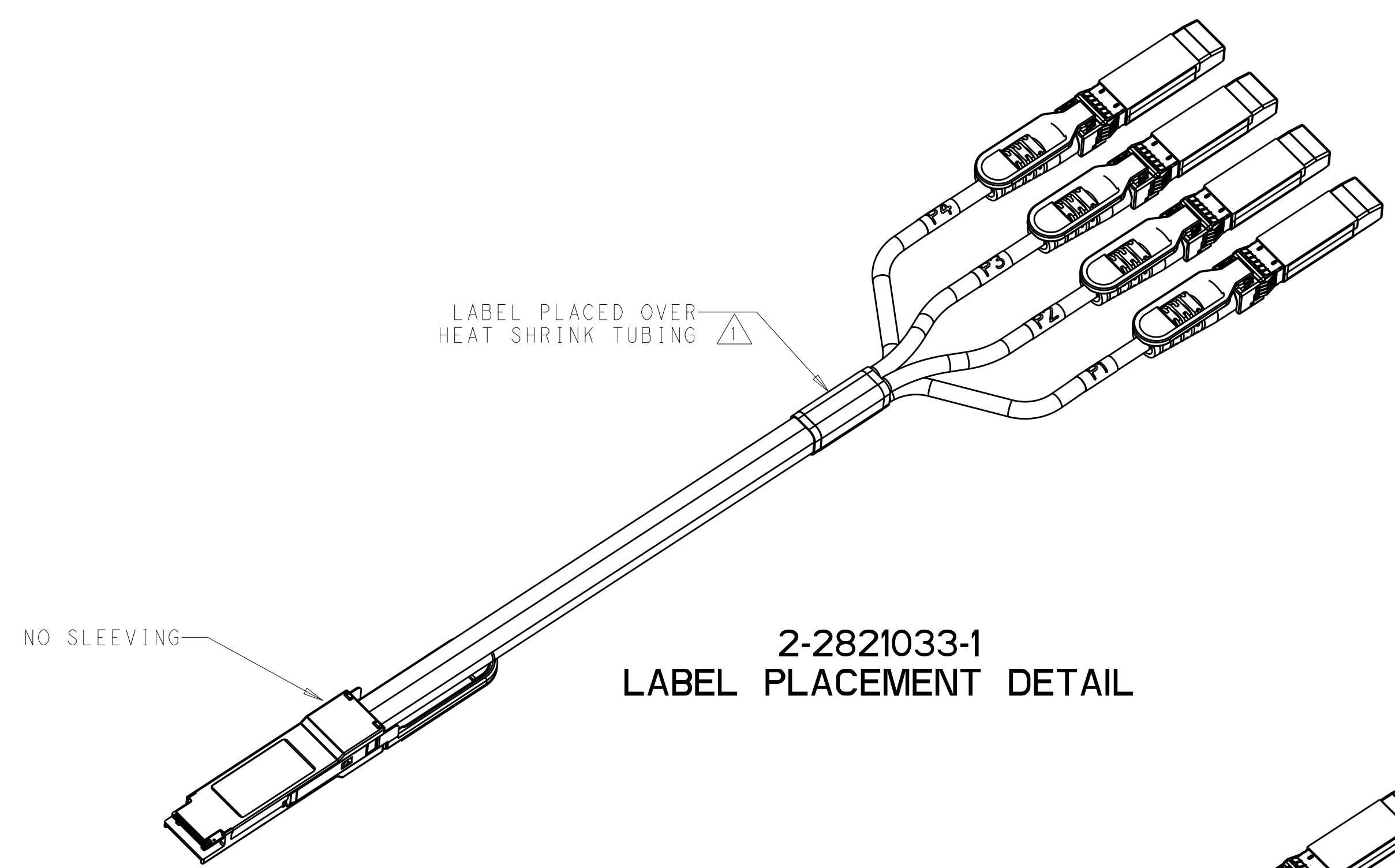
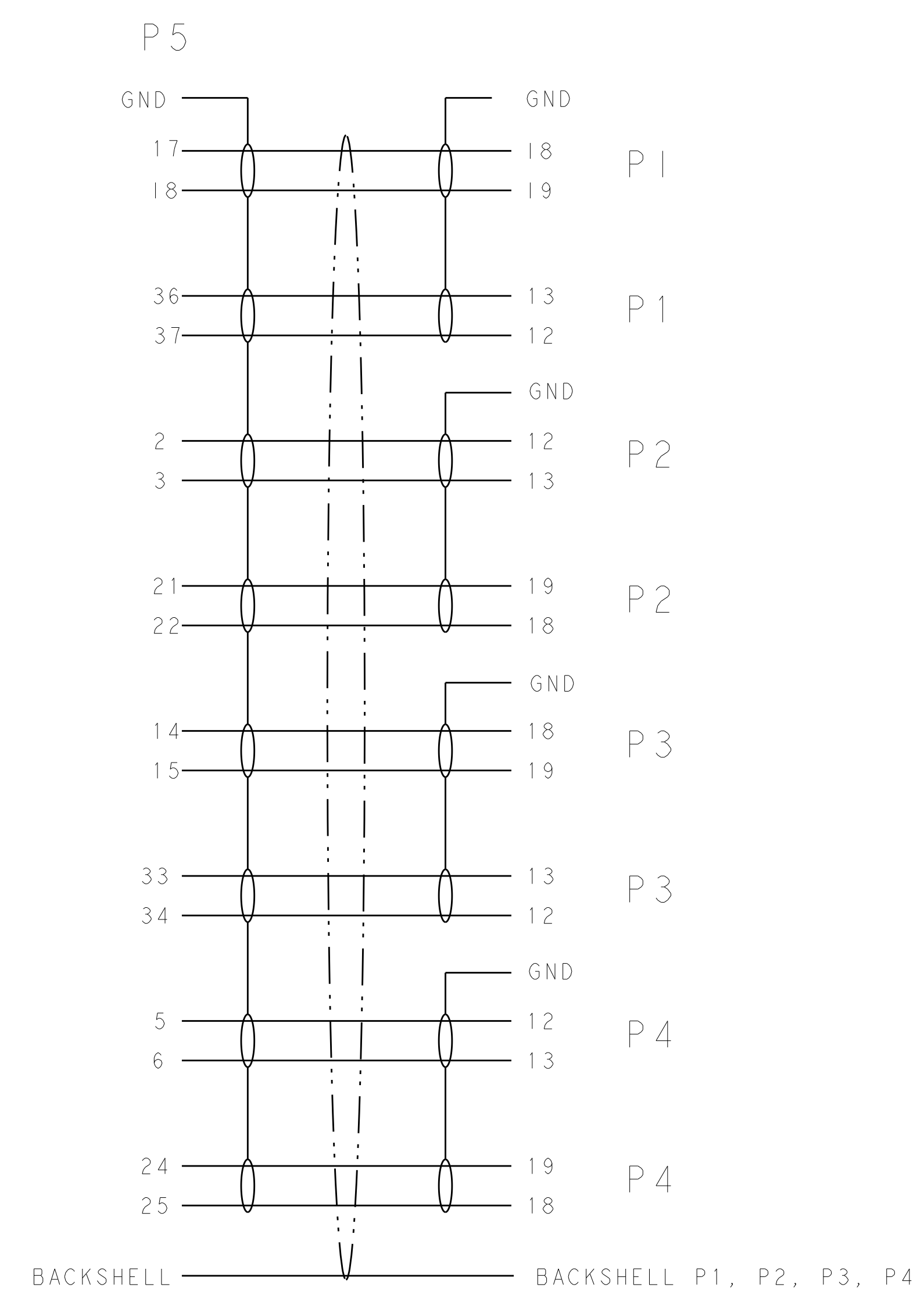
	30	120 ±12	△ 500 +50/-0	2-2821033-1
	30	1500 ±25	3500 +80/-0	2-2821033-0
	28	1500 ±25	3500 +80/-0	1-2821033-9
	30	1000 ±25	2500 +80/-0	1-2821033-8
OBSOLETE	24	2000 ±25	5000 +80/-0	1-2821033-6
	26	1000 ±25	3000 +80/-0	1-2821033-2
OBSOLETE	24	2000 ±25	6000 +80/-0	1-2821033-1
	30	700 ±25	2000 +80/-0	1-2821033-0
	30	500 ±25	1500 +50/-0	2821033-9
	33	330 ±25	1000 +50/-0	2821033-8
	33	500 ±25	1500 +50/-0	2821033-7
	33	-	500 +50/-0	2821033-6
	26	1500 ±25	4000 +80/-0	2821033-5
	28	1000 ±25	3000 +80/-0	2821033-4
	26	2000 ±25	5000 +80/-0	2821033-3
	30	1000 ±25	3000 +80/-0	2821033-2
	30	330 ±25	1000 +50/-0	2821033-1
	GAGE	"L2"	"L1"	PART NO

THIS DRAWING IS A CONTROLLED DOCUMENT.

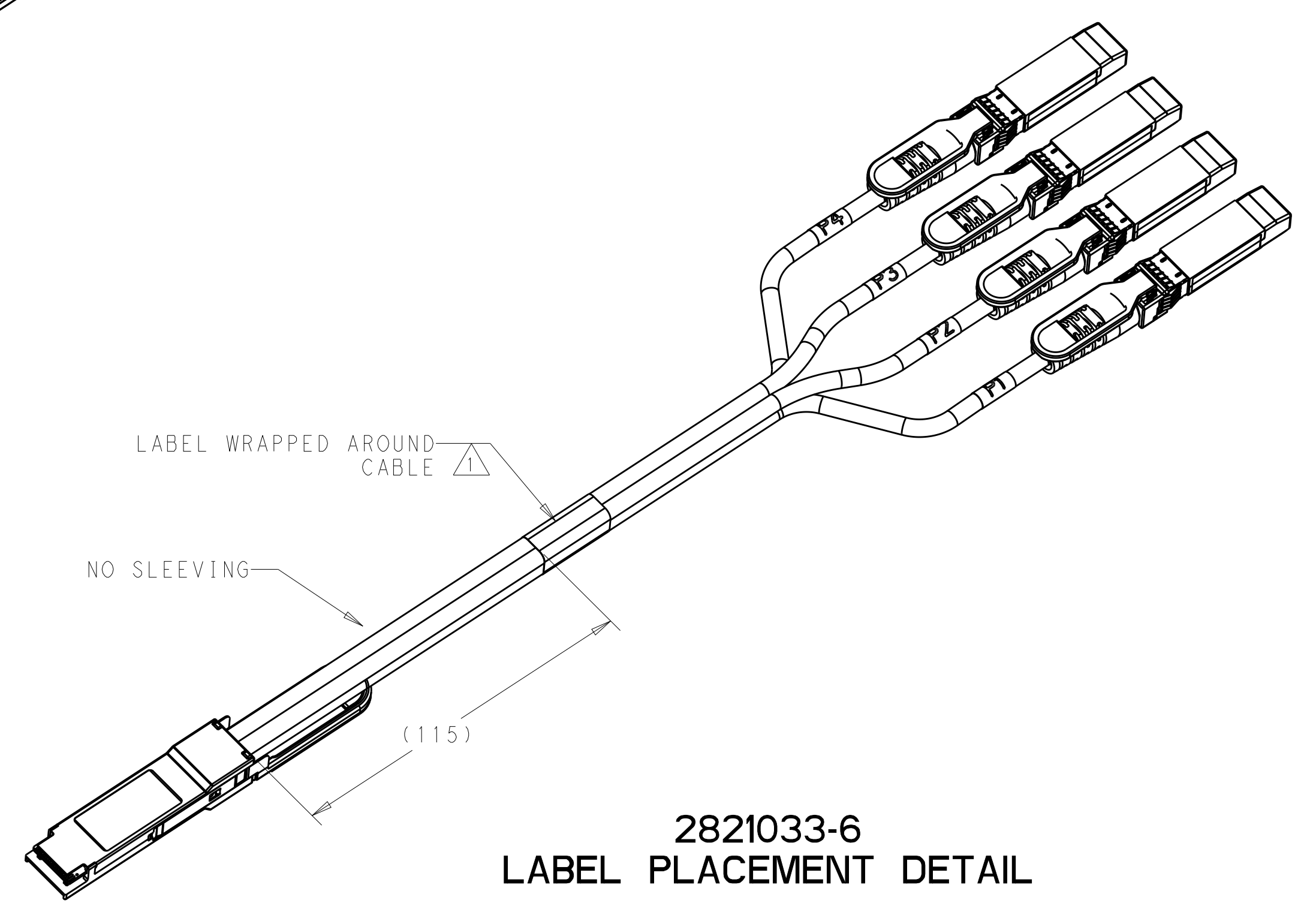
DIMENSIONS:	TOLERANCES UNLESS OTHERWISE SPECIFIED:	OWN. T. SMITH 02MAR2017	CHK. E. CUESTA 02MAR2017	APVD. E. CUESTA 02MAR2017
mm	0 PLC ±	NAME CABLE ASSEMBLY, QSFP28 TO (4) SFP+		
	1 PLC ±	SIZE A1		
	2 PLC ±	CAGE CODE		
	3 PLC ±	DRAWING NO. C=2821033		
	4 PLC ±	SHEET 1 OF 2		
	ANGLES ±	REV J		
MATERIAL	FINISH	CUSTOMER DRAWING		

SCALE 5:4

REVISIONS				
P.	LTN	DESCRIPTION	DATE	APVD
		SEE SHEET 1		



2-2821033-1  
 LABEL PLACEMENT DETAIL



2821033-6  
 LABEL PLACEMENT DETAIL

THIS DRAWING IS A CONTROLLED DOCUMENT.		DWN T. SMITH 02MAR2017 CHK E. CUESTA 02MAR2017 APVD E. CUESTA 02MAR2017	<b>STE</b> TE Connectivity	
DIMENSIONS: mm 		TOLERANCES UNLESS OTHERWISE SPECIFIED: 0 PLC ± 1 PLC ± 2 PLC ± 3 PLC ± 4 PLC ± ANGLES ± FINISH ±	NAME CABLE ASSEMBLY, QSFP28 TO (4) SFP+ PRODUCT SPEC - APPLICATION SPEC - WEIGHT -	SIZE A1 CAGE CODE - DRAWING NO. C=2821033 RESTRICTED TO -
MATERIAL -		CUSTOMER DRAWING	SCALE 3:2	SHEET 2 OF 2 REV J

## X-ON Electronics

Largest Supplier of Electrical and Electronic Components

*Click to view similar products for [Ethernet Cables / Networking Cables](#) category:*

*Click to view products by [TE Connectivity](#) manufacturer:*

Other Similar products are found below :

[0152660053](#) [603020002](#) [73-7797-25](#) [73-8890-10](#) [73-8890-14](#) [73-8891-14](#) [73-8891-25](#) [73-8892-50](#) [73-8894-10](#) [73-8894-3](#) [73-8895-14](#) [73-8896-7](#) [MCJB2-10P6Q7-120](#) [84909-0204](#) [9QA0-111-12-3.00](#) [1200650742](#) [1200700174](#) [1200860368](#) [1200650013](#) [1201080008](#) [1-21919-1](#) [1300500373](#) [1300101844](#) [1300101845](#) [130050-0004](#) [1300500014](#) [1410147](#) [E16A06002M030](#) [E200102-009-S1](#) [MT14-187L](#) [17-103530](#) [NK5EPC18RDY](#) [NK5EPC18VLY](#) [NK5EPC18YLY](#) [NK5EPC1GRY](#) [NK5EPC30BLY](#) [NK5EPC30VLY](#) [NK5EPC30YLY](#) [NK5EPC4Y](#) [NK5EPC6YLY](#) [NK5EPC8BLY](#) [NK5EPC9YLY](#) [NK6PC30BUY](#) [NK6PC30GRY](#) [NK6PC30RDY](#) [NK6PC30Y](#) [NK6PC30YLY](#) [1969343-6](#) [C501100010](#) [C501106002](#)