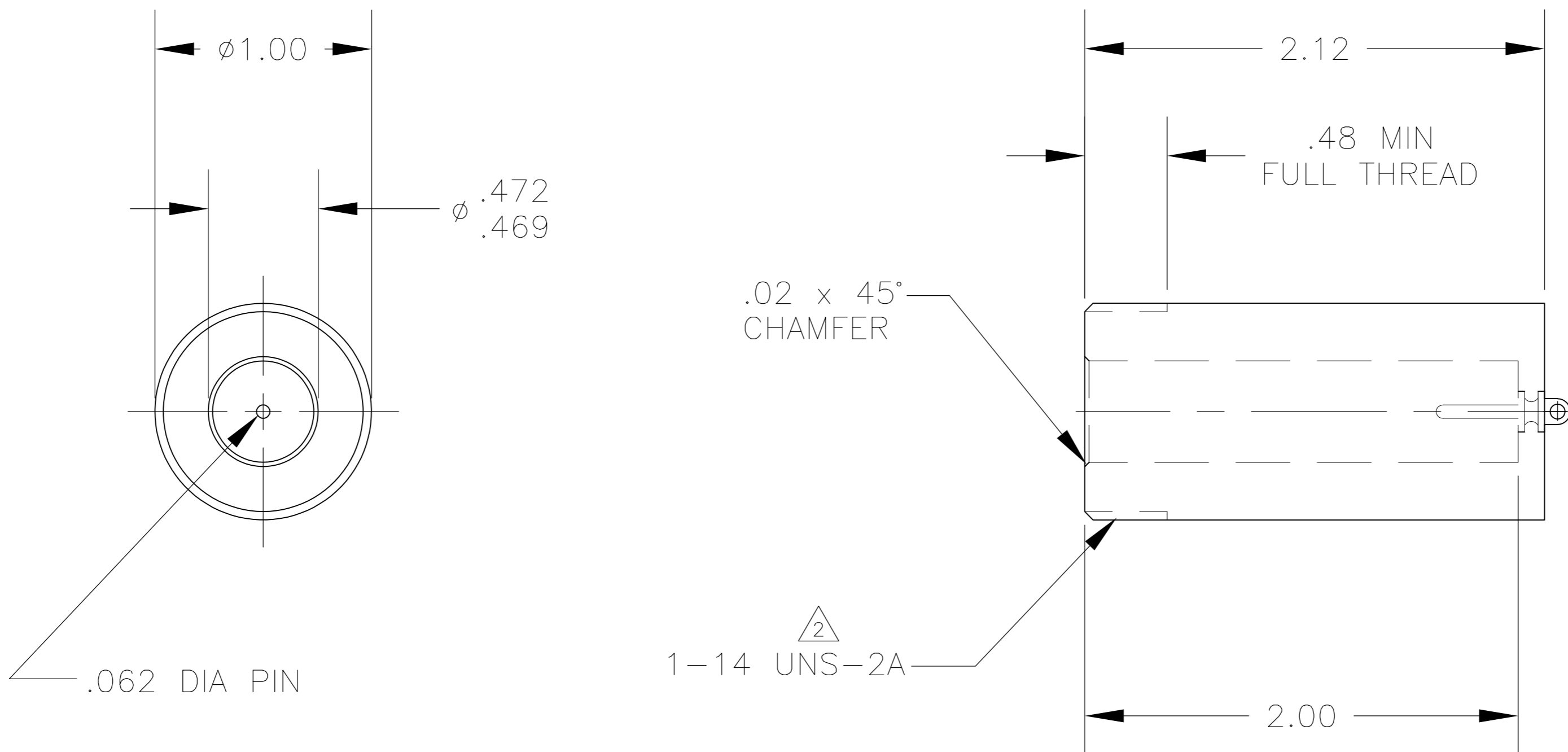


THIS DRAWING IS UNPUBLISHED. RELEASED FOR PUBLICATION
 © COPYRIGHT - By - ALL RIGHTS RESERVED.

LOC		DIST		REVISIONS			
P	LTR	DESCRIPTION		DATE	DWN	APVD	
D		REV PER ECO-12-009412		21JUN12	PY	DE	



1. RECEPTACLE TO MATE WITH AMP LGH 4 LEAD ASSEMBLY, AVAILABLE SEPARATELY

△ PER FEDERAL STANDARD H-28, 3-WIRE METHOD. DIMENSION OVER WIRES TO BE .9975-1.0186

AS SHOWN WITH TIN PLATED PIN PER ASTM-B-545, .0001 THK		5-836567-1
AS SHOWN WITH GOLD PLATED PIT PER MIL-G-45024, TYPE II, CLASS 3		836567-2
AS SHOWN WITH 93/7 TIN-LEAD PLATED PIN, .0001 THK		836567-1
DESCRIPTION		PART NO
THIS DRAWING IS A CONTROLLED DOCUMENT.		DWN P. YEAGER 31JAN06
DIMENSIONS: INCHES		CHK D. EABY 01FEB06
TOLERANCES UNLESS OTHERWISE SPECIFIED:		APVD D. EABY 01FEB06
0 PLC ± -		NAME
1 PLC ± -		RECEPTACLE ASSEMBLY
2 PLC ± .02		LGH-4 (FOR POTTED UNITS)
3 PLC ± .005		SIZE
4 PLC ± -		CAGE CODE
ANGLES ± -		DRAWING NO
MATERIAL MOLDED GLASS EPOXY		FINISH BLACK
WEIGHT -		RESTRICTED TO
CUSTOMER DRAWING		SCALE 4:1 SHEET 1 of 1 REV D

X-ON Electronics

Largest Supplier of Electrical and Electronic Components

Click to view similar products for [Standard Circular Connector](#) category:

Click to view products by [TE Connectivity](#) manufacturer:

Other Similar products are found below :

[C015](#) [10F006](#) [001](#) [1](#) [5M2530B10P](#) [600259N006](#) [600273N007](#) [600432N009](#) [6280-2PG-519](#) [6280-3PG-311](#) [6280-3SG-311](#) [6280-7SG-3DC](#)
[6280-7SG-522](#) [6282-5PG-311](#) [6282-6PG-519](#) [6282-8SG-311](#) [6283-11](#) [6283-15](#) [6290](#) [6382-2PG-311](#) [6382-2PG-3DC](#) [6382-2SG-321](#) [6382-2SG-3DC](#) [6382-4SG-516](#) [67-03E20-37P](#) [681-PMG](#) [CXS3102A14S2P](#) [CXS3102A181S](#) [CXS3106A14S6S](#) [MB12P-1](#) [MB12R-6](#) [7251-2PG-300](#) [7251-2SG-300](#) [7251-4PG-300](#) [7251-4SG-300](#) [7251-5PG-300](#) [7251-5SG-300](#) [7251-6SG-300](#) [7251-7PG-300](#) [7251-8PG-300](#) [7271-6SG-300](#) [7282-3PG-300-CH3](#) [73000005663](#) [75-190216-08S](#) [75-190218-10P](#) [75-474118-10P](#) [75-474618-01S](#) [75-474620-07P](#) [799539-000](#) [MI8-SE](#) [80-190222-18P](#) [805-005-07NF11-19PC](#) [805-005-07NF15-7PA](#)