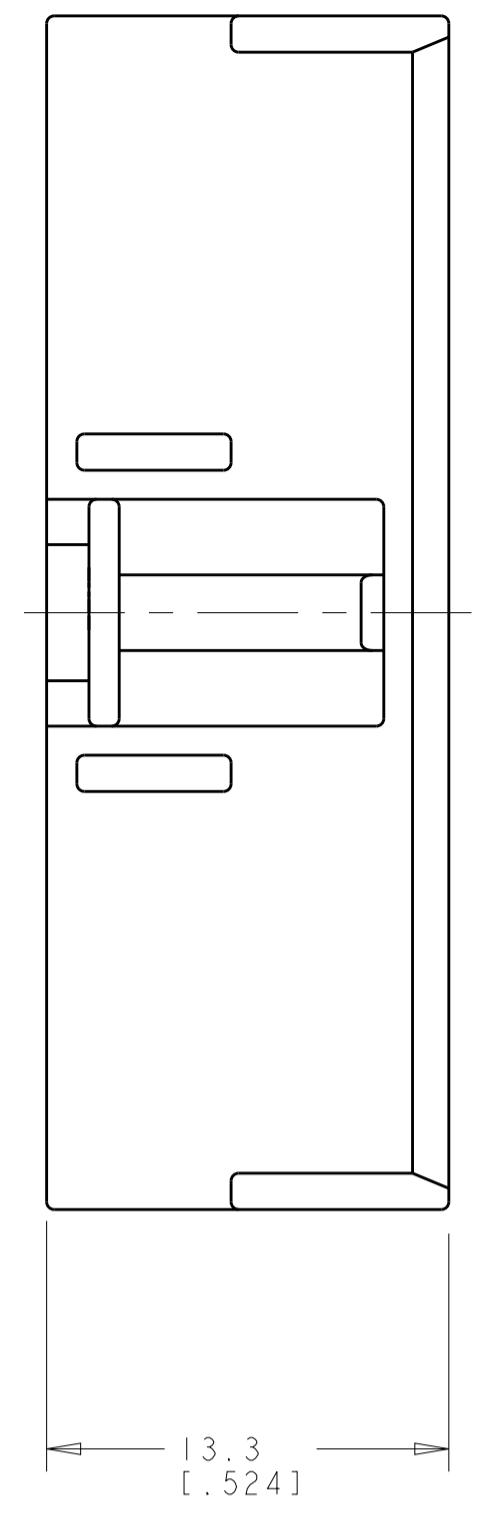
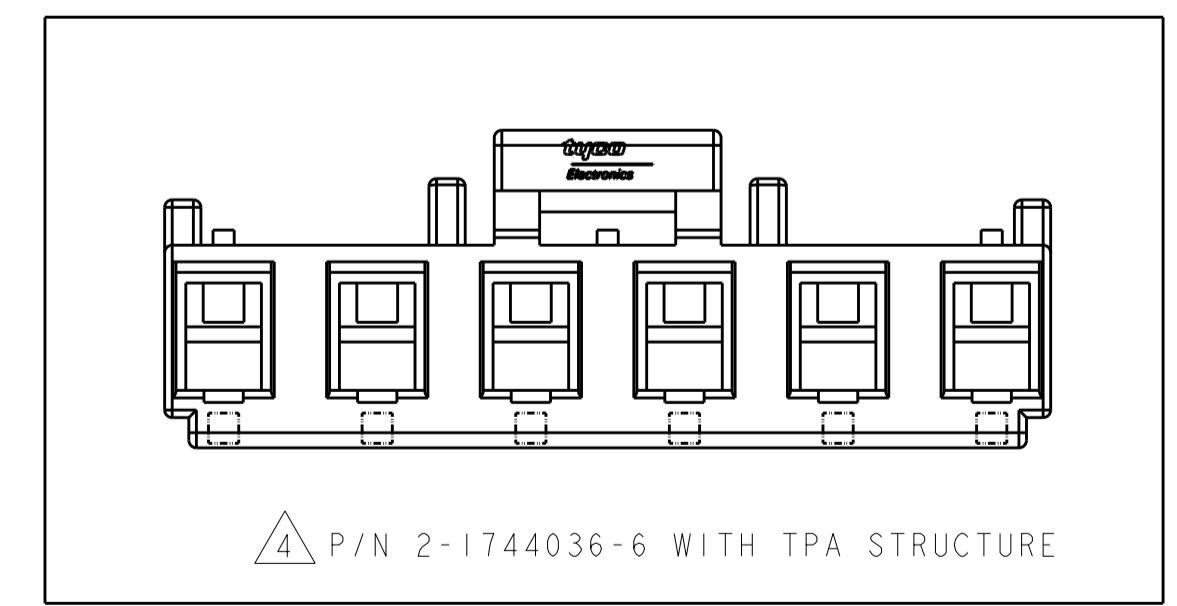
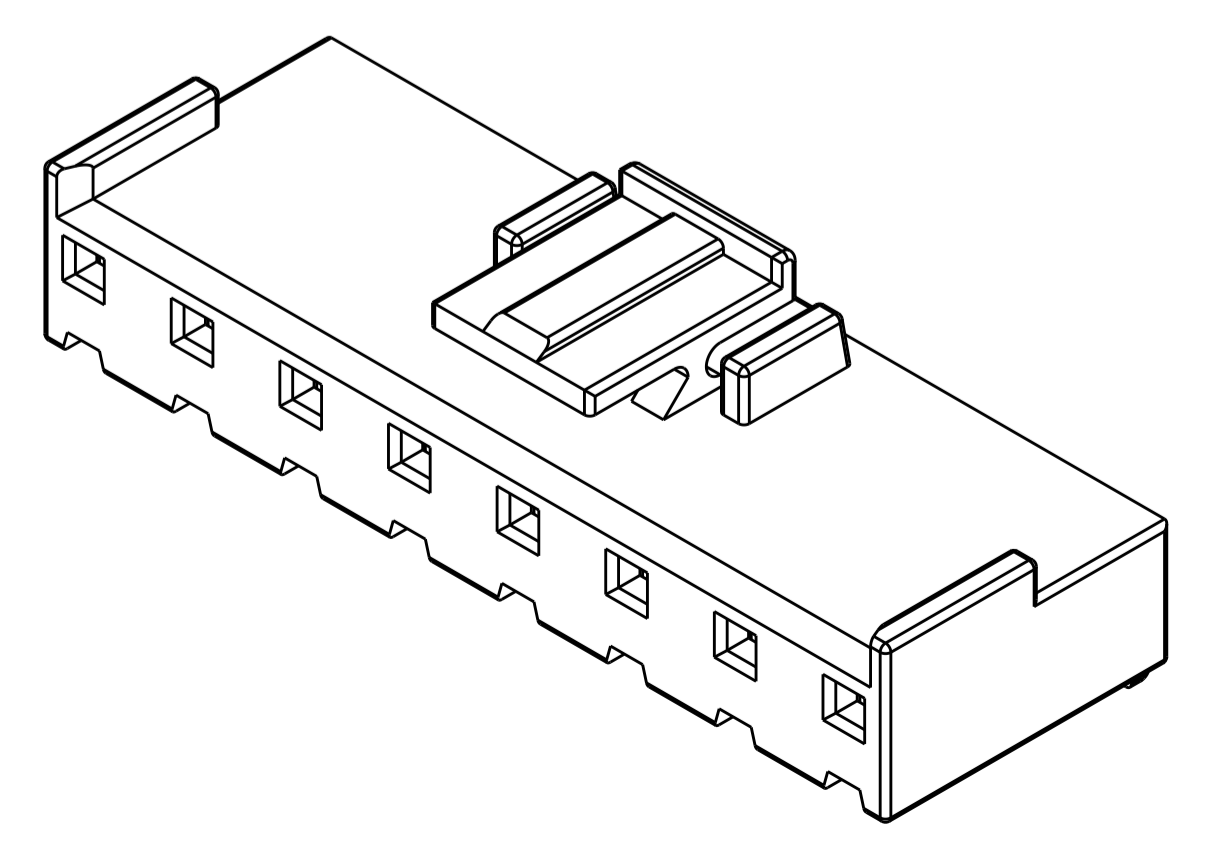
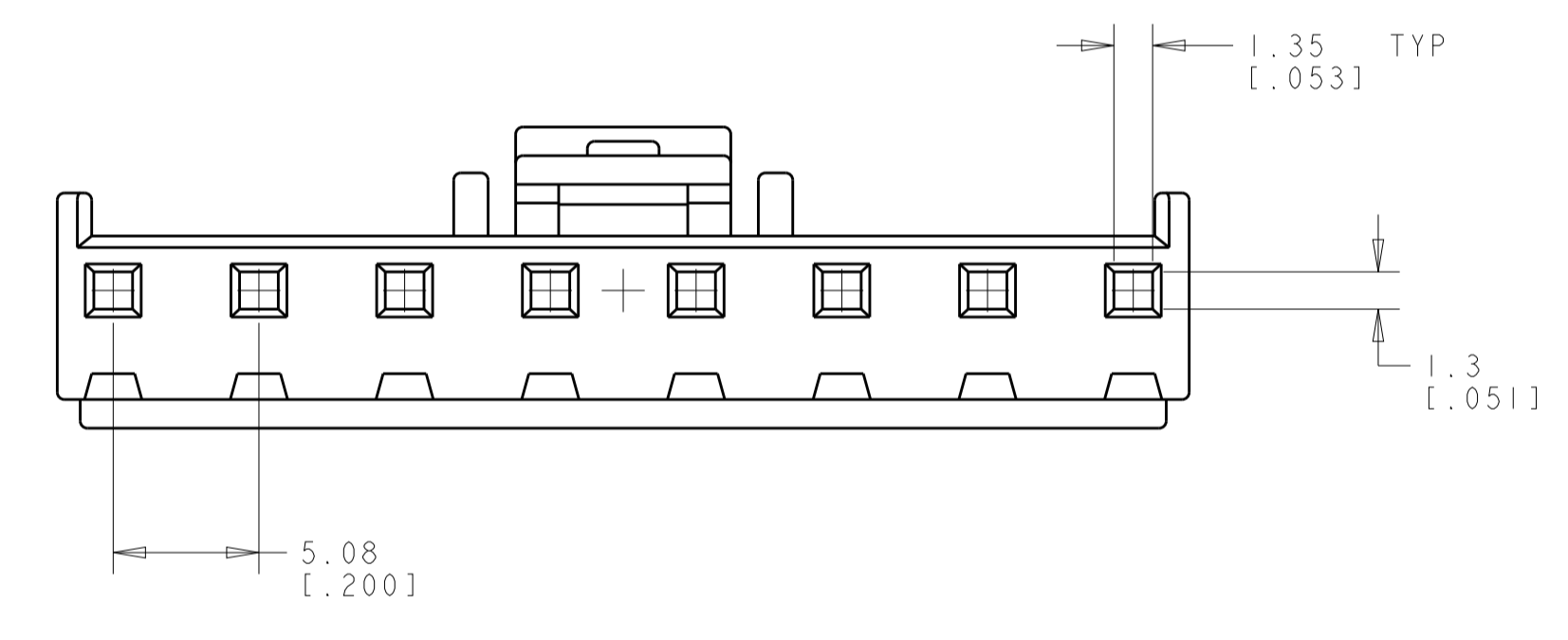
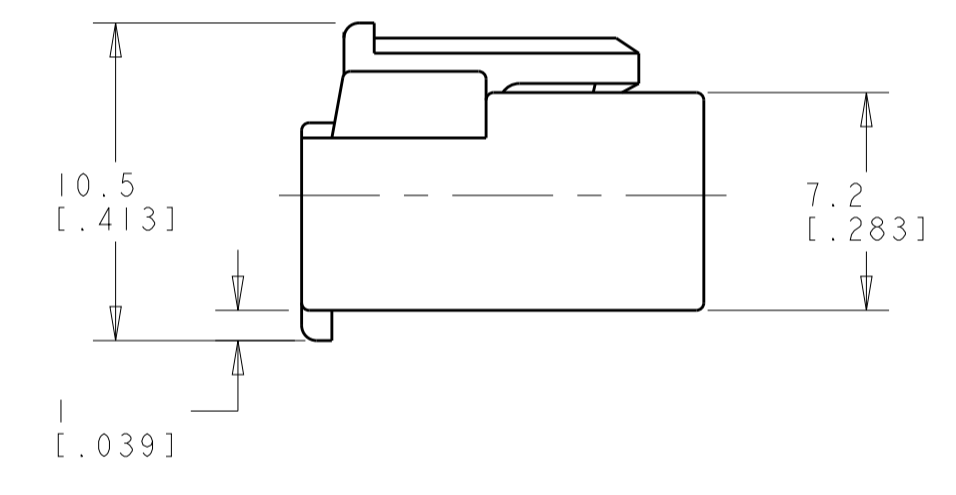
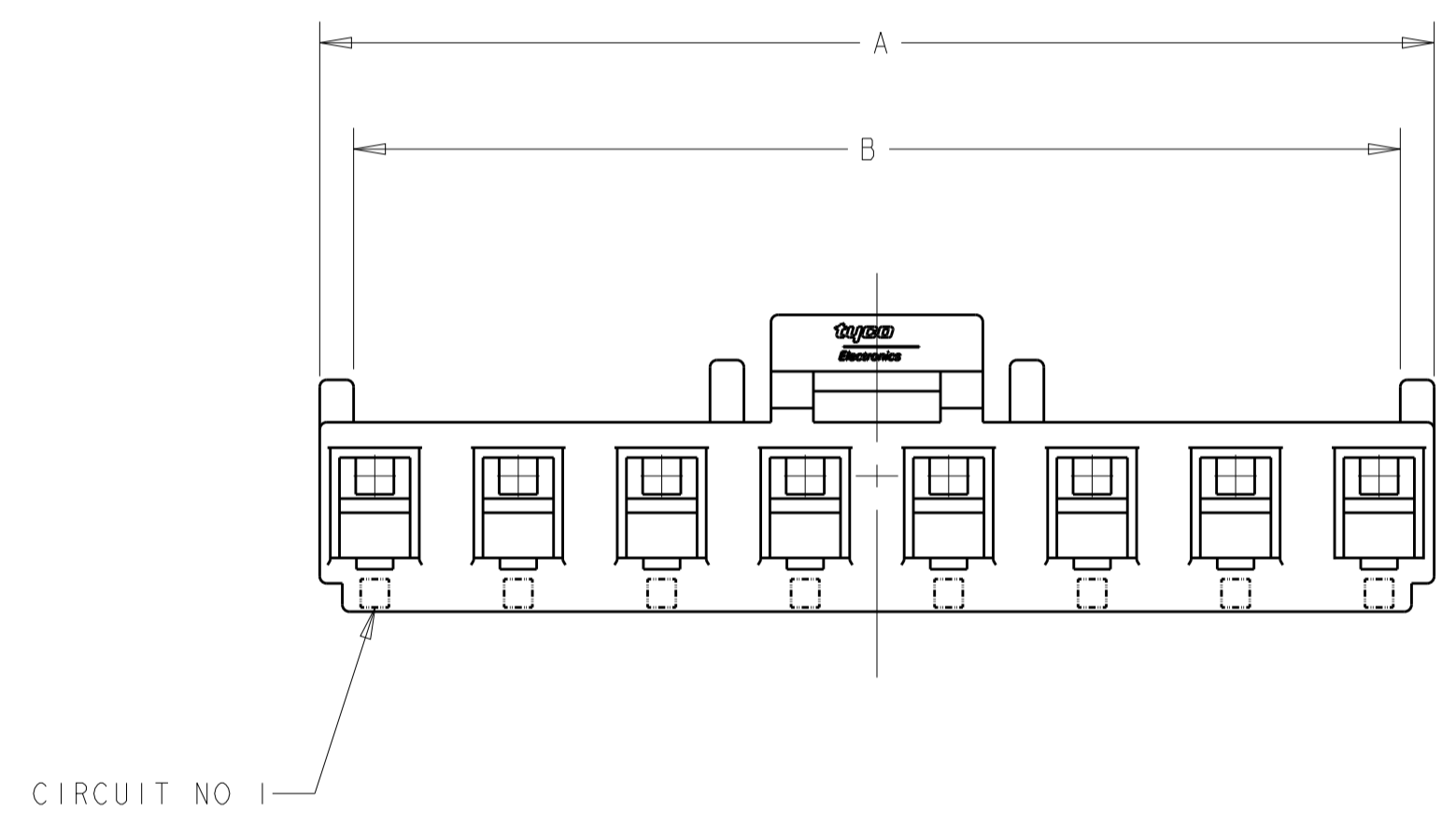


REVISIONS				
P.	LTN	DESCRIPTION	DATE	APVD
P2		REVISED PER ECR-15-008260	03JUN2015	O.C D. Z



- △ MATERIAL : NYLON, UL94V-0, COLOR: NATURAL ;
- 2. APPLICABLE CONTACT P/N: 1123721-2 ;
- 3. MATING CONN. P/N: □ -1744037- □ ;
- △ P/N WITH TPA STRUCTURE ;



26.9 [1.059]	29.3 [1.154]	6	2-1744036-6
57.38 [2.259]	59.78 [2.354]	12	1-1744036-2
52.28 [2.058]	54.7 [2.154]	11	1-1744036-1
47.22 [1.859]	49.62 [1.954]	10	1-1744036-0
42.14 [1.659]	44.54 [1.754]	9	1744036-9
37.06 [1.459]	39.46 [1.554]	8	1744036-8
31.98 [1.259]	34.38 [1.354]	7	1744036-7
26.9 [1.059]	29.3 [1.154]	6	1744036-6
21.82 [0.859]	24.22 [0.954]	5	1744036-5
16.74 [0.659]	19.14 [0.754]	4	1744036-4
11.66 [0.459]	14.06 [0.554]	3	1744036-3
6.58 [0.259]	8.98 [0.354]	2	1744036-2
DIM B		DIM A	CKT PART NO.

THIS DRAWING IS A CONTROLLED DOCUMENT.		DWN R. WHITAKER 07OCT2004	TE Connectivity RECEPTACLE, ECONOMY POWER, .200 CENTERLINE
DIMENSIONS: mm [inch]		CHK D. BOSSI 07OCT2004	
TOLERANCES UNLESS OTHERWISE SPECIFIED:		APVD D. BOSSI 07OCT2004	NAME
0 PLC ±0.25 [0.01]	1 PLC ±0.25 [0.01]	PRODUCT SPEC	SIZE
2 PLC ±0.13 [0.005]	3 PLC ±0.13 [0.005]	APPLICATION SPEC	CAGE CODE
4 PLC ±	ANGLES ±	114-13265	DRAWING NO
MATERIAL	FINISH	WEIGHT	RESTRICTED TO
			A100779C=1744036
CUSTOMER DRAWING		SCALE N/A	SHEET 1 OF 1 REV P2

X-ON Electronics

Largest Supplier of Electrical and Electronic Components

Click to view similar products for [Headers & Wire Housings](#) category:

Click to view products by [TE Connectivity](#) manufacturer:

Other Similar products are found below :

[95000-104TRLF](#) [10135584-644402LF](#) [DF62W-EP2022PCA](#) [95000-106TRLF](#) [DF62W-2022SCA](#) [DF62W-EP2022PC](#) [2203348](#) [DF62W-2022SC](#) [1084018](#) [1029039](#) [1084017](#) [802-10-012-10-002000](#) [1112640](#) [1112639](#) [000-34000](#) [0009482033](#) [0009507031](#) [57102-S06-03LF](#) [57202-S52-04LF](#) [PCN6-15S-2.5E](#) [0039019024](#) [58102-G61-06LF](#) [582553-1](#) [0009485154](#) [0009508121](#) [0022285053](#) [0050291907](#) [018731A](#) [LY20-4P-DT1-P1E-BR](#) [02.125.8002.8](#) [60101931](#) [60598-1 \(Cut Strip\)](#) [M1625-3R/100](#) [61062-3](#) [61082-181009](#) [636-1427](#) [638009-1](#) [641938-9](#) [641991-4](#) [644168-1](#) [647662-1](#) [65039-019ELF](#) [65817-002LF](#) [65817-015LF](#) [65863-015LF](#) [66207-023LF](#) [67016-026LF](#) [67046-001LF](#) [67095-007LF](#) [67230-005LF](#)