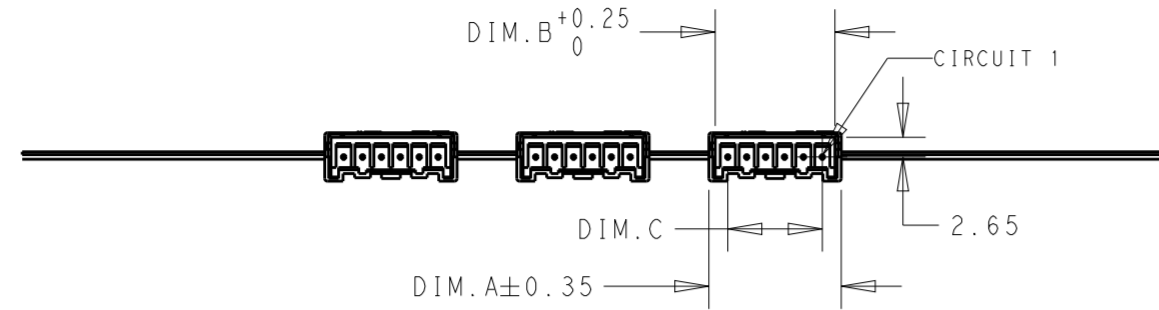


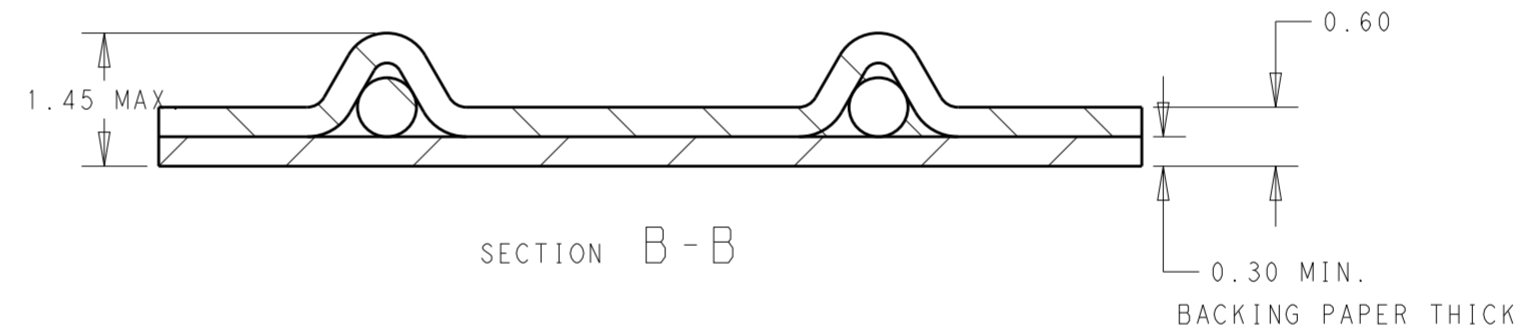
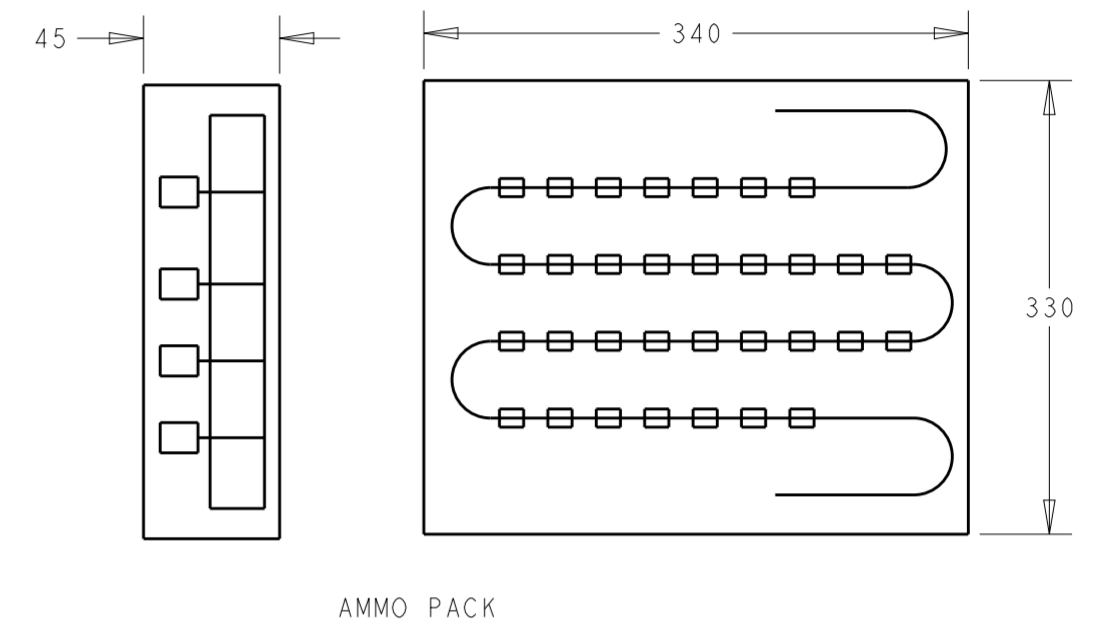
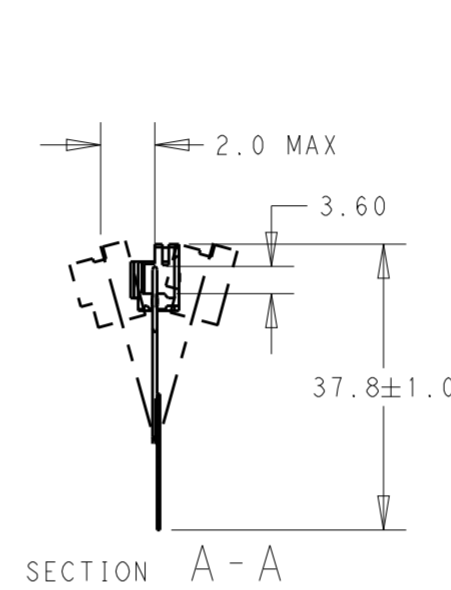
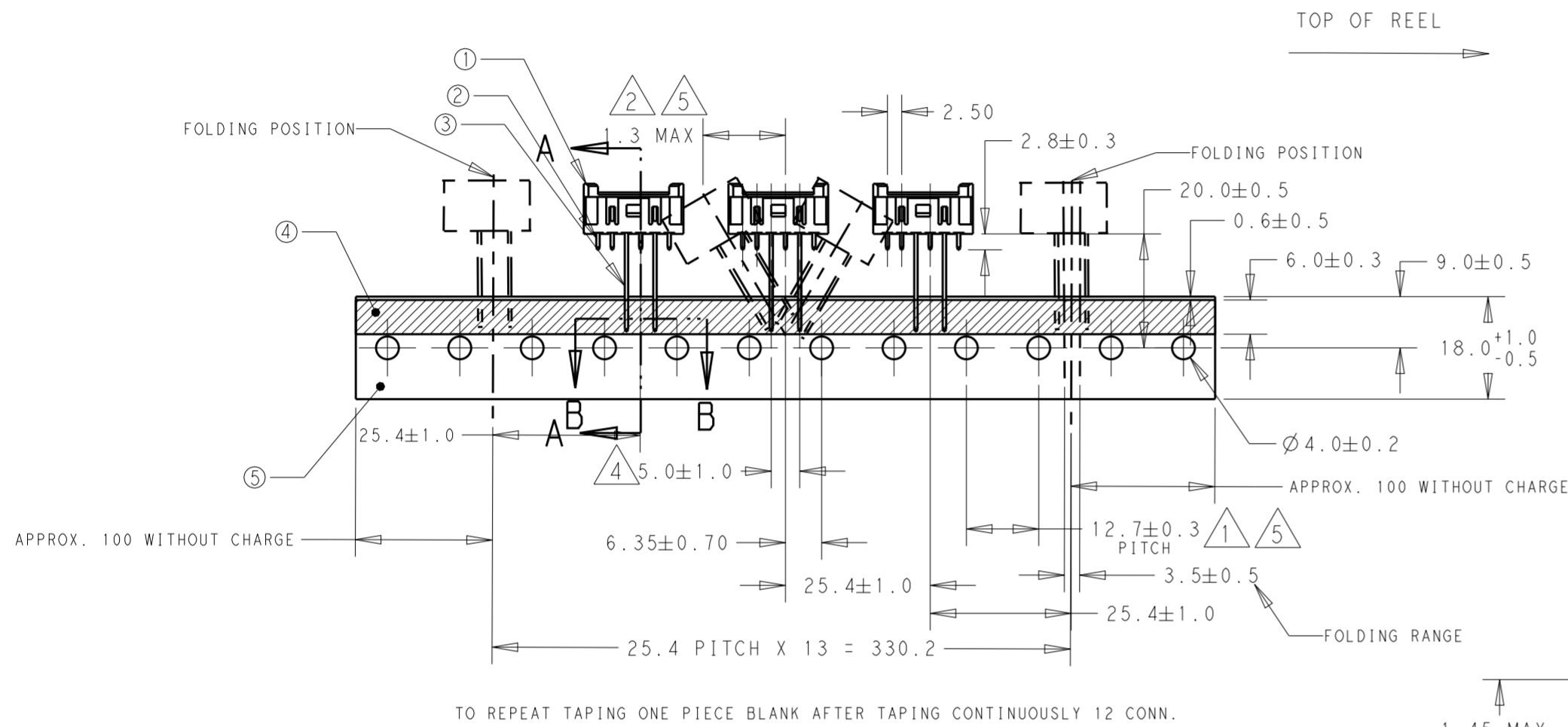
THIS DRAWING IS UNPUBLISHED. RELEASED FOR PUBLICATION
 © COPYRIGHT copyright dbTe ALL RIGHTS RESERVED.

REVISIONS					
P	LTR	DESCRIPTION	DATE	DWN	APVD
A1		REVISED PER ECR-16-015820	05DEC16	O.C	D.Z

TAPING STYLE B: 4POS. THRU 8POS.



- ① ACCUMULATING TOLERANCE: ±1.0mm/20 PITCH
- ② MESURING POINT: AT TOP OF POST
- ③ TAPE MUST NOT PROTRUDE FROM BACKING PAPER
- ④ MESURING POINT, THE TOP OF TAPING AND THE CENTER LINE OF LEAD WIRE IN BETWEEN
- ⑤ BE BASED ON THE CENTER 12.7mm PITCH DIMENSION



TAPING STYLE A: 2POS. AND 3POS.

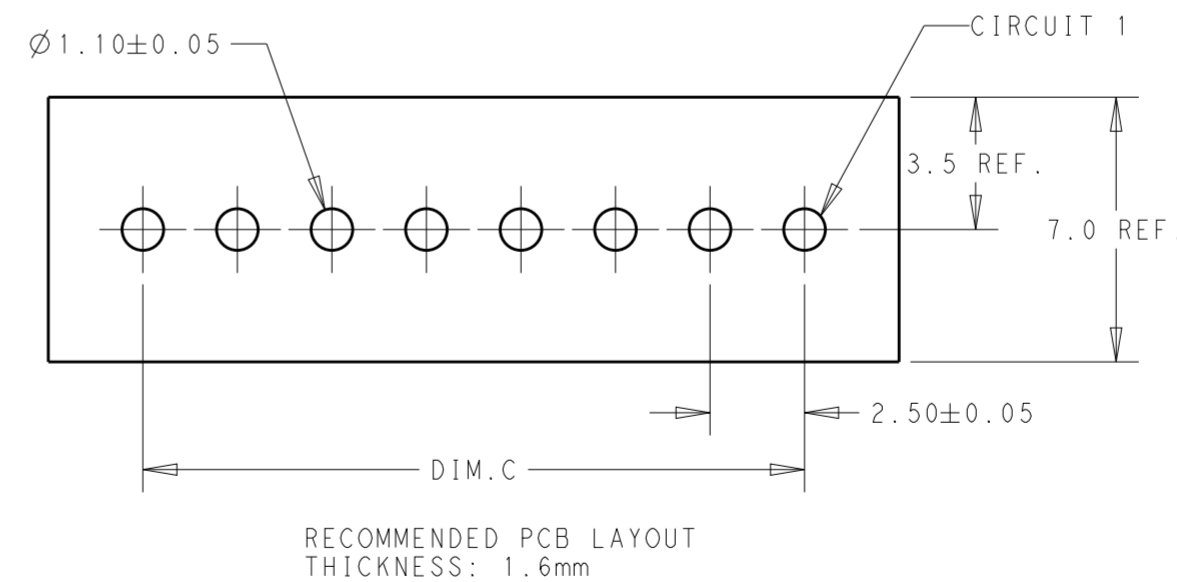
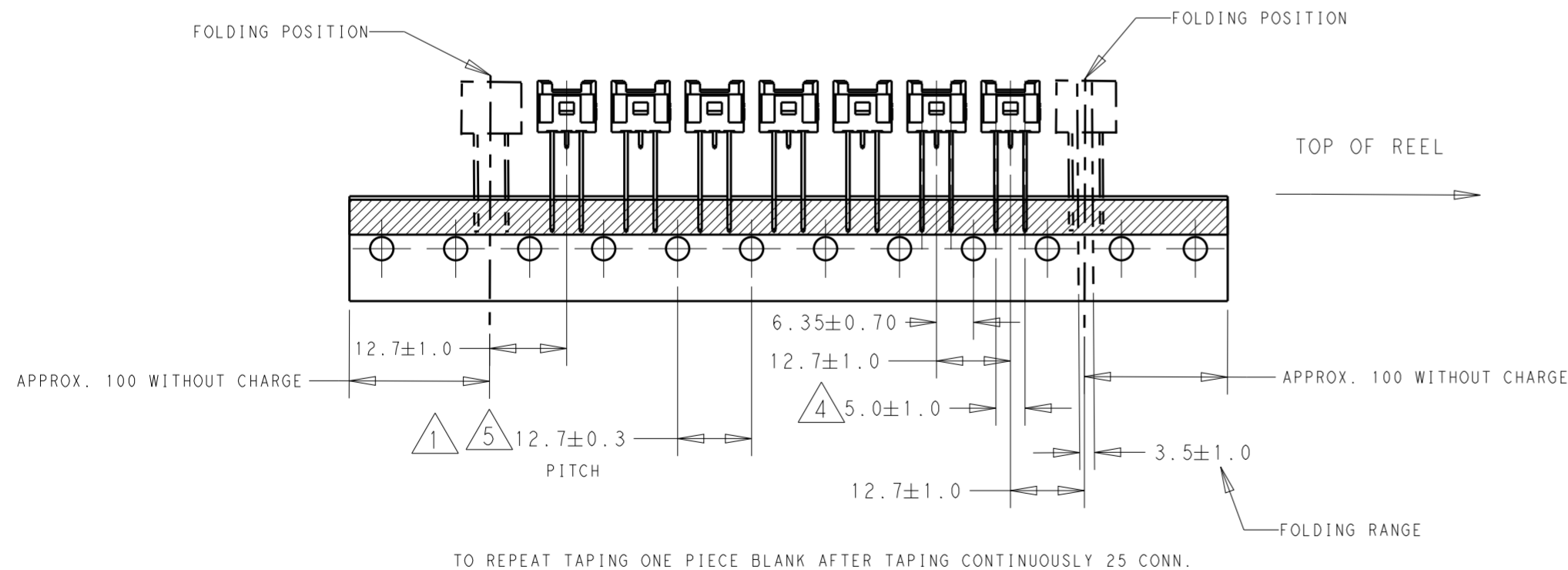


TABLE 1

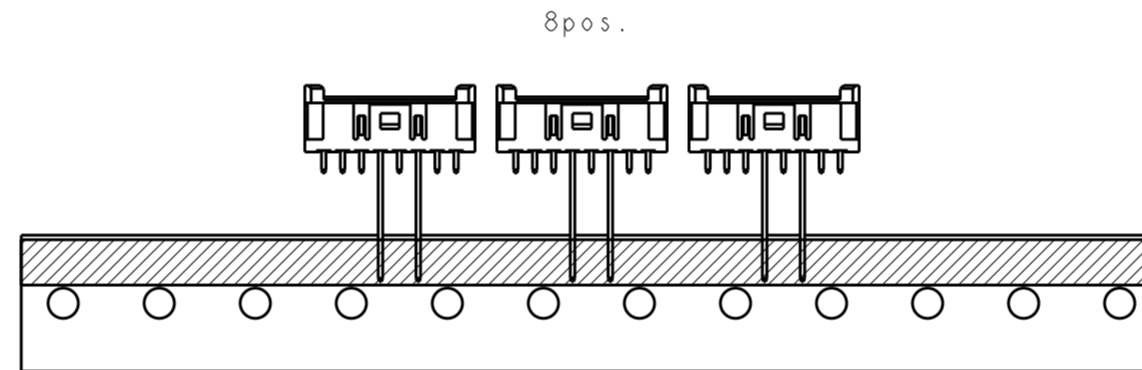
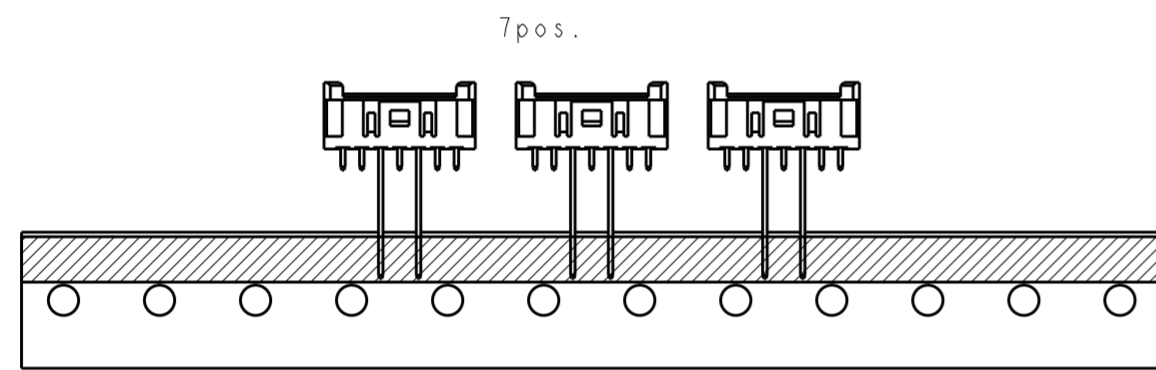
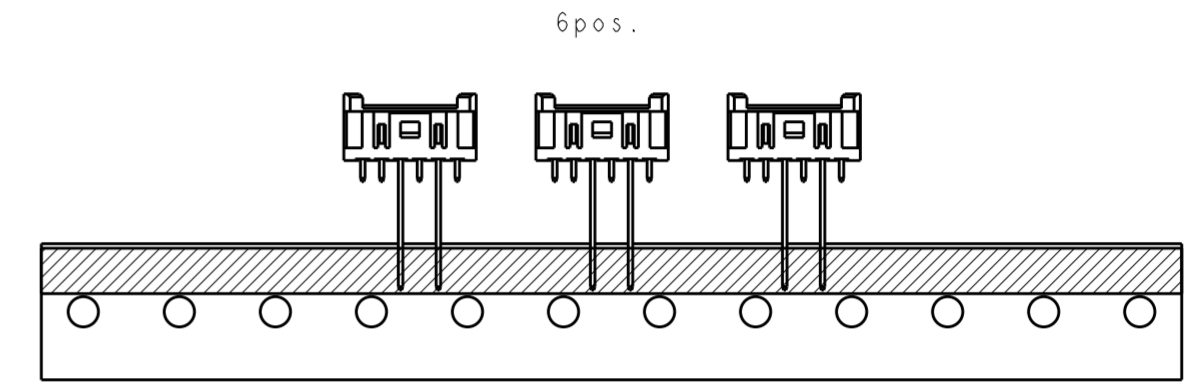
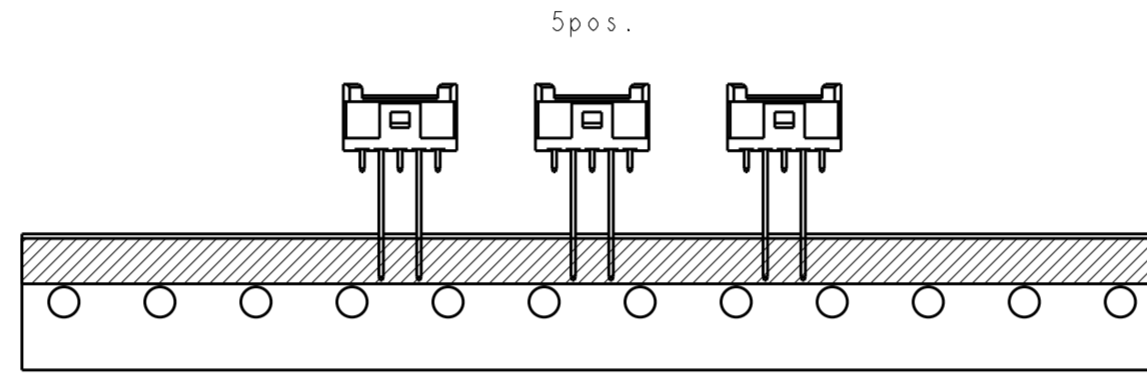
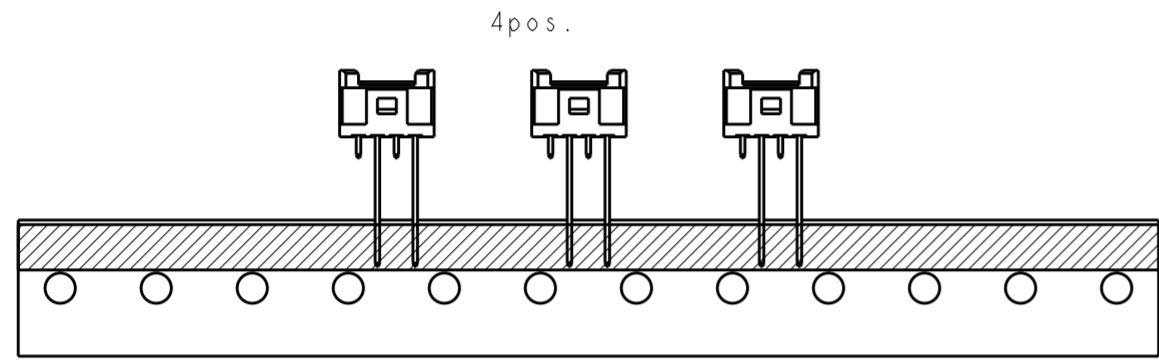
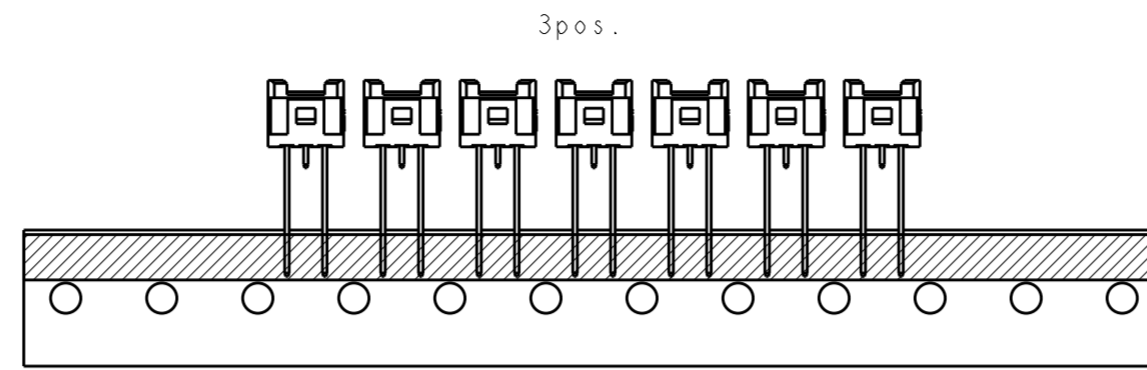
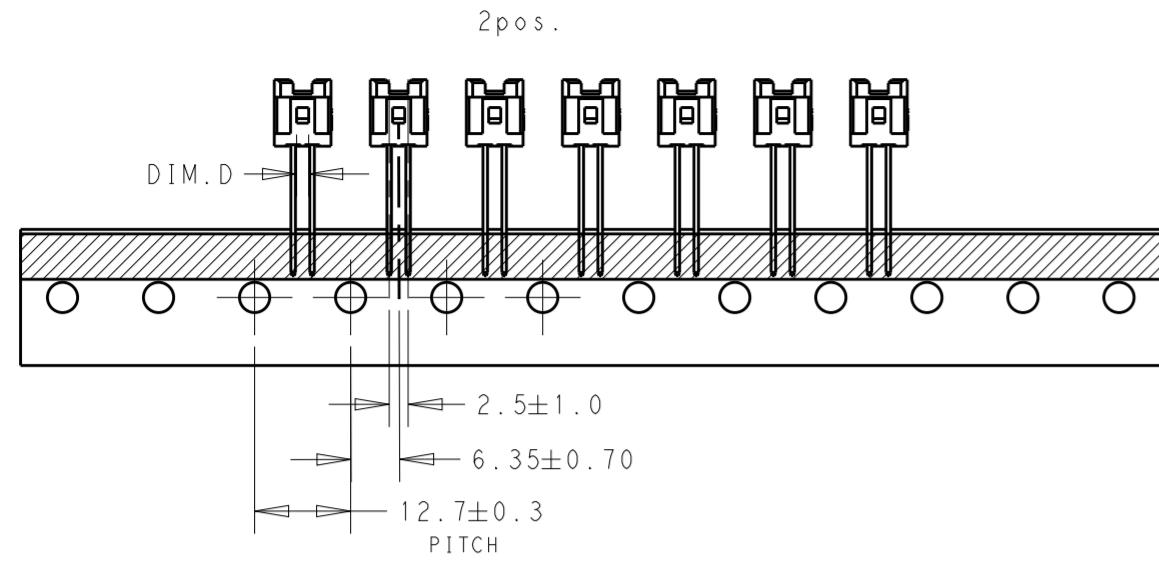
NO.	NAME	MATERIAL
①	HDR HOUSING	THERMOPLASTIC, UL94V-0
②	POST CONTACT	BRASS, NICKEL UNDER PLATING, TIN PLATING ON PIN AREA
③	RADIAL PIN	
④	RADIAL TAPE	THERMAL PAPER
⑤	BACKING PAPER	CRAFT PAPER

THIS DRAWING IS A CONTROLLED DOCUMENT.

DIMENSIONS: mm	TOLERANCES UNLESS OTHERWISE SPECIFIED:	DWN: OTTO CHEN 15FEB2016	TE Connectivity
	0 PLC ±0.50	CHK: DANIEL 16FEB2016	
	1 PLC ±0.30	APVD: DANIEL 16FEB2016	
	2 PLC ±0.20	PRODUCT SPEC: 108-2418	
MATERIAL: SEE TABLE 1	3 PLC ±	APPLICATION SPEC: 114-13315	NAME: HEADER ASSEMBLY, VERTICAL ECONOMY POWER, 2.5mm CENTERLINE TAPING VERSION
	4 PLC ±	WEIGHT: -	SIZE: A2 CAGE CODE: G-2299683
	ANGLES ±	CUSTOMER DRAWING	RESTRICTED TO: -
	FINISH ±	SCALE: 1:1	SHEET 1 OF 2
			REV: A1

THIS DRAWING IS UNPUBLISHED. RELEASED FOR PUBLICATION
 © COPYRIGHT copyright.d8Te- ALL RIGHTS RESERVED.

REVISIONS					
P	LTR	DESCRIPTION	DATE	DWN	APVD
-	-	SEE SHEET 1	-	-	-



B	450	2.50	17.50	20.83	22.50	8	2299683-8	1-2299683-8	2-2299683-8	3-2299683-8	4-2299683-8	5-2299683-8
B	450	2.50	15.00	18.33	20.00	7	2299683-7	1-2299683-7	2-2299683-7	3-2299683-7	4-2299683-7	5-2299683-7
B	450	2.50	12.50	15.83	17.50	6	2299683-6	1-2299683-6	2-2299683-6	3-2299683-6	4-2299683-6	5-2299683-6
B	450	2.50	10.00	13.33	15.00	5	2299683-5	1-2299683-5	2-2299683-5	3-2299683-5	4-2299683-5	5-2299683-5
B	450	2.50	7.50	10.83	12.50	4	2299683-4	1-2299683-4	2-2299683-4	3-2299683-4	4-2299683-4	5-2299683-4
A	900	2.50	5.00	8.33	10.00	3	2299683-3	1-2299683-3	2-2299683-3	3-2299683-3	4-2299683-3	5-2299683-3
A	900	1.60	2.50	5.83	7.50	2	2299683-2	1-2299683-2	2-2299683-2	3-2299683-2	4-2299683-2	5-2299683-2
A	900	0.85	2.50	5.83	7.50	2	2299683-1	1-2299683-1	2-2299683-1	3-2299683-1	4-2299683-1	5-2299683-1
TAPING STYLE	QTY	DIM.D	DIM.C	DIM.B	DIM.A	POS.	PART NO (NATURAL COLOR)	PART NO (RED COLOR)	PART NO (BLUE COLOR)	PART NO (BLACK COLOR)	PART NO (YELLOW COLOR)	PART NO (GREEN COLOR)

THIS DRAWING IS A CONTROLLED DOCUMENT.

DIMENSIONS: mm	TOLERANCES UNLESS OTHERWISE SPECIFIED:	DWN: OTIO CHEN 15FEB2016	 TE Connectivity
	0 PLC ±0.50	CHK: DANIEL 16FEB2016	
	1 PLC ±0.30	APVD: DANIEL 16FEB2016	
	2 PLC ±0.20	NAME: HEADER ASSEMBLY, VERTICAL ECONOMY POWER, 2.5mm CENTERLINE TAPING VERSION	
MATERIAL: SEE TABLE 1	3 PLC ±	PRODUCT SPEC: 108-2418	SIZE: A2
	4 PLC ±	APPLICATION SPEC: 114-13315	CAGE CODE: 00779
	ANGLES ±	WEIGHT: -	DRAWING NO: C-2299683
	FINISH ±	CUSTOMER DRAWING	RESTRICTED TO: -
		SCALE: 1:1	SHEET 2 OF 2
			REV: A1

X-ON Electronics

Largest Supplier of Electrical and Electronic Components

Click to view similar products for [Headers & Wire Housings](#) category:

Click to view products by [TE Connectivity](#) manufacturer:

Other Similar products are found below :

[95000-104TRLF](#) [10135584-644402LF](#) [DF62W-EP2022PCA](#) [95000-106TRLF](#) [DF62W-2022SCA](#) [DF62W-EP2022PC](#) [2203348](#) [DF62W-2022SC](#) [1084018](#) [1029039](#) [1084017](#) [802-10-012-10-002000](#) [1112640](#) [1112639](#) [000-34000](#) [0009482033](#) [0009507031](#) [57102-S06-03LF](#) [57202-S52-04LF](#) [PCN6-15S-2.5E](#) [0039019024](#) [58102-G61-06LF](#) [582553-1](#) [0009485154](#) [0009508121](#) [0022285053](#) [0050291907](#) [018731A](#) [LY20-4P-DT1-P1E-BR](#) [02.125.8002.8](#) [60101931](#) [60598-1 \(Cut Strip\)](#) [M1625-3R/100](#) [61062-3](#) [61082-181009](#) [636-1427](#) [638009-1](#) [641938-9](#) [641991-4](#) [644168-1](#) [647662-1](#) [65039-019ELF](#) [65817-002LF](#) [65817-015LF](#) [65863-015LF](#) [66207-023LF](#) [67016-026LF](#) [67046-001LF](#) [67095-007LF](#) [67230-005LF](#)