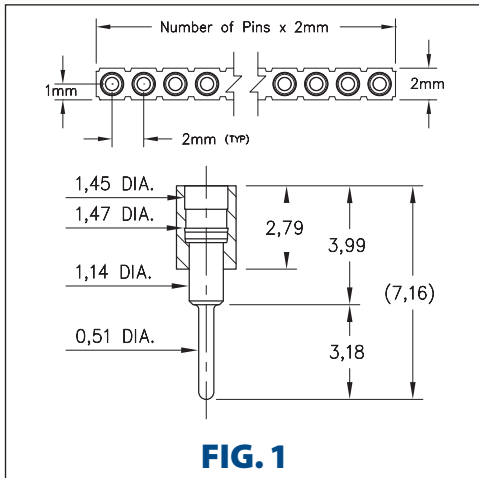
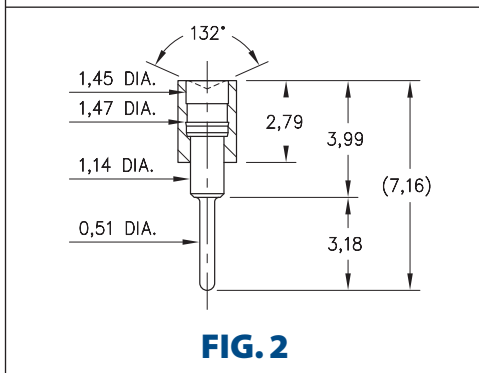


# SPRING-LOADED CONNECTORS

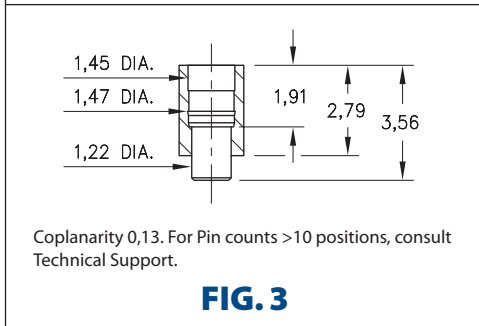
## SERIES 830 • 2mm GRID FLAT & CONCAVE FACE TARGET CONNECTORS FOR SPRING-LOADED ASSEMBLIES • SINGLE ROW STRIPS



**FIG. 1**

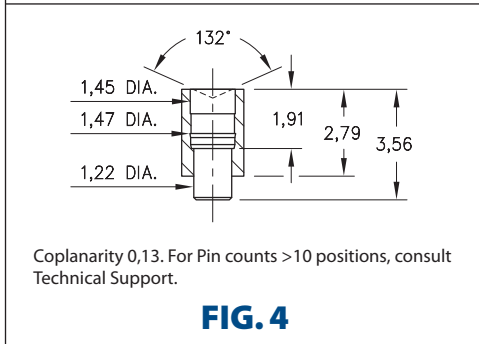


**FIG. 2**



**FIG. 3**

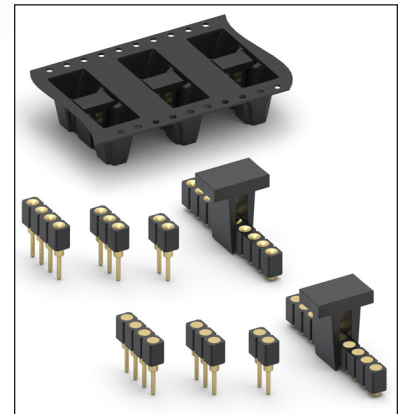
Coplanarity 0,13. For Pin counts >10 positions, consult Technical Support.





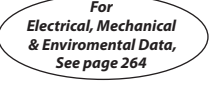


**FIG. 4**

Coplanarity 0,13. For Pin counts >10 positions, consult Technical Support.

- Series 830 2mm Spring Target Connectors, supplied in single row strips
- Target connectors provide an excellent gold-plated conductive path back to the board-mounted spring pin connector. Available in both through-hole and SMT terminations with the choice of either flat or concave face contact surfaces. Concave face targets provide additional surface area for mating with our standard 0,81 diameter plungers
- Target connectors use MM #1949, #1950, #1951, and #1952 pins. See page 223.1 for details
- Insulators are high temperature thermoplastic



### ORDERING INFORMATION

<b>FIG. 1</b>	<b>Series 830...003</b> <b>Flat face / Solder Tails</b>
	830-10-0__-10-003000 Specify number of pins    01-20
<b>FIG. 2</b>	<b>Series 830...004</b> <b>Concave face / Solder Tails</b>
	830-10-0__-10-004000 Specify number of pins    01-20
<b>FIG. 3</b>	<b>Series 830...30-003</b> <b>Flat face / Surface Mount</b>
	830-10-0__-30-003XXX Specify number or pins    02-10 Tube packaged = 000 Tape & reel packaged = 191 400 parts per 330mm reel
<b>FIG. 4</b>	<b>Series 830...30-004</b> <b>Concave face / Surface Mount</b>
	830-10-0__-30-004XXX Specify number or pins    02-10 Tube packaged = 000 Tape & reel packaged = 191 400 parts per 330mm reel
  	
<b>SPECIFY PLATING CODE XX=</b>	10 
Pin Plating 	0,25µm Au

## X-ON Electronics

Largest Supplier of Electrical and Electronic Components

*Click to view similar products for [Headers & Wire Housings](#) category:*

*Click to view products by [Mill-Max](#) manufacturer:*

Other Similar products are found below :

[95000-104TRLF](#) [10135584-644402LF](#) [DF62W-EP2022PCA](#) [95000-106TRLF](#) [DF62W-2022SCA](#) [DF62W-EP2022PC](#) [2203348](#) [DF62W-2022SC](#) [1084018](#) [1029039](#) [1084017](#) [802-10-012-10-002000](#) [1112640](#) [1112639](#) [000-34000](#) [0009482033](#) [0009507031](#) [57102-S06-03LF](#) [57202-S52-04LF](#) [PCN6-15S-2.5E](#) [0039019024](#) [58102-G61-06LF](#) [582553-1](#) [0009508121](#) [0022285053](#) [0050291907](#) [018731A](#) [LY20-4P-DT1-P1E-BR](#) [02.125.8002.8](#) [60101931](#) [60598-1 \(Cut Strip\)](#) [M1625-3R/100](#) [61062-3](#) [61082-181009](#) [636-1427](#) [638009-1](#) [641938-9](#) [641991-4](#) [644168-1](#) [647662-1](#) [65039-019ELF](#) [65817-002LF](#) [65817-015LF](#) [65863-015LF](#) [66207-023LF](#) [67016-026LF](#) [67046-001LF](#) [67095-007LF](#) [67230-005LF](#) [68002-116](#)