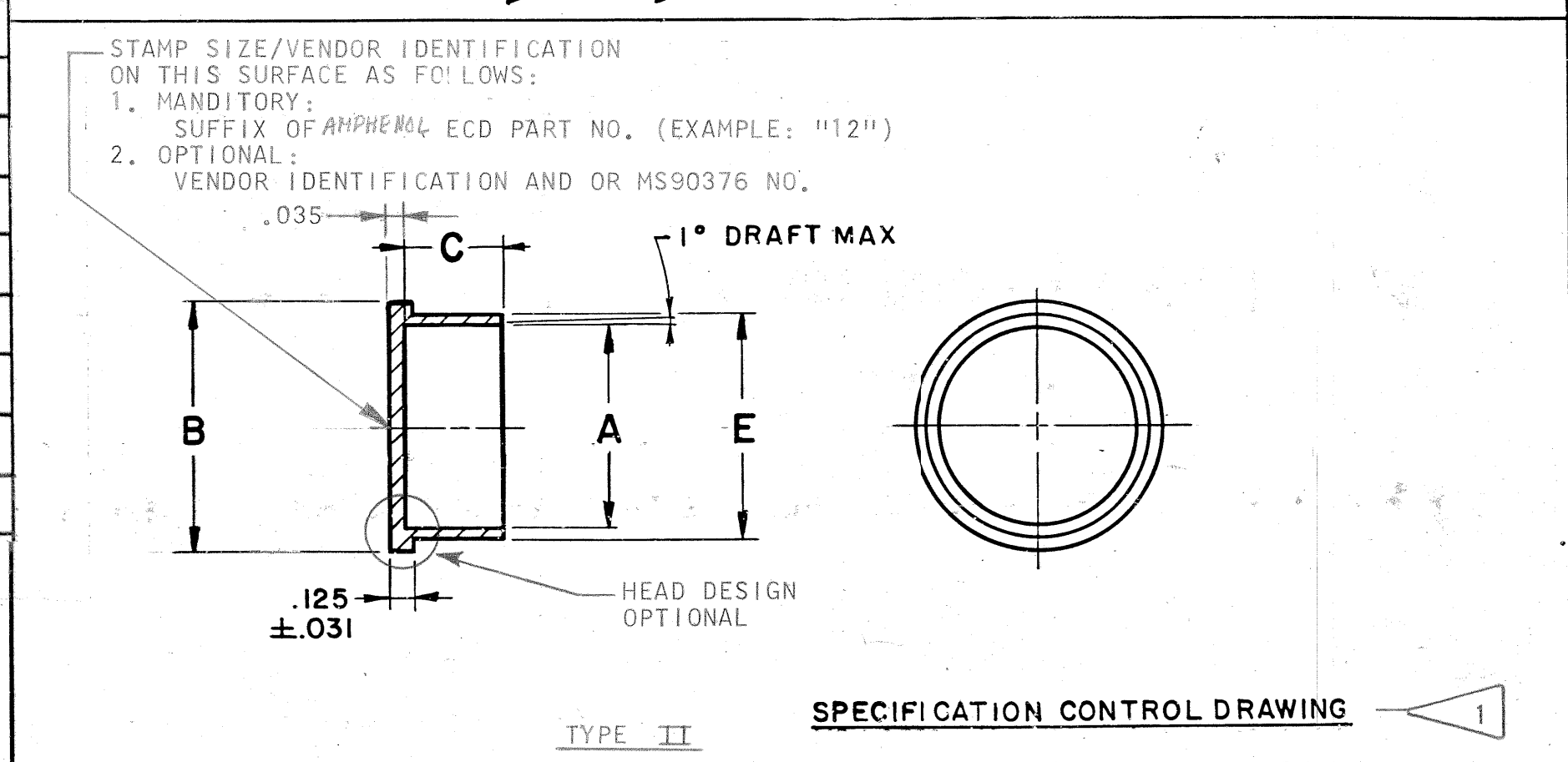
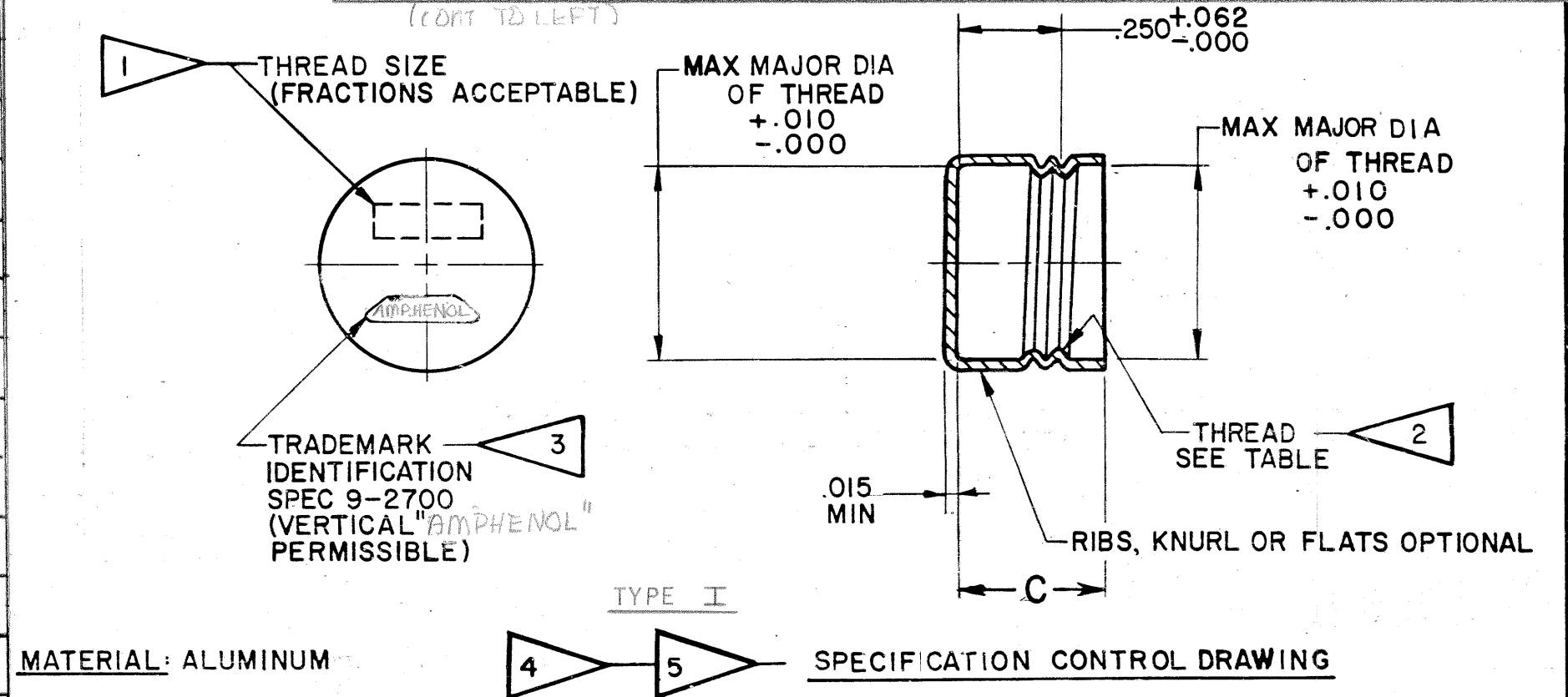


PART NO.	MS NO. REF	THREAD REF	A DIA ±.010	B DIA ±.031	C ±.031	E DIA REF.	TYPE	RELEASE
10-70500-4		.2500-28UNF-2B			.312		I	24711-9
-5		.3125-24UNF-2B			.375		I	
-6		.3750-24UNF-2B			.375		I	
-7		.4375-20UNF-2B			.375		I	
-8	MS90376-8R	.5000-28	.480	.740	.500	.540	II	
-9	MS90376-9R	.5625-20	.562	.780	.440	.610	II	
-10	MS90376-10R	.6250-24	.605	.840	.500	.665	II	
-11		.6875-24	.668	.938	.250		II	32535-44
-12	MS90376-12R	.7500-20	.720	.970	.500	.775	II	24711-9
-14	MS90376-14R	.8750-20	.850	1.125	.500	.905	II	
-16	MS90376-16R	1.0000-20	.973	1.220	.500	1.035	II	
-18	MS90376-18R	1.1250-18	1.093	1.330	.562	1.155	II	
-19		1.1875-18	1.168	1.438	.562		II	
-20	MS90376-20R	1.2500-18	1.231	1.465	.562	1.301	II	
-22	MS90376-22R	1.3700-18	1.340	1.590	.562	1.410	II	
-23		1.4375-18	1.408	1.688	.562	1.468	II	29173-1
-24	MS90376-24R	1.5000-18	1.463	1.700	.562	1.533	II	24711-9
-28	MS90376-28R	1.7500-18	1.715	1.950	.562	1.790	II	
-32	MS90376-32R	2.0000-18	1.965	2.220	.562	2.040	II	
-34		2.3125-16		2.562	.562		II	32535-44
-35		2.3750-16		2.625	.687		II	
-36	MS90376-36R	2.2500-16	2.215	2.435	.600	2.290	II	24711-9
-40	MS90376-40R	2.5000-16	2.440	2.660		2.530	II	
-44	MS90376-44R	2.7500-16	2.720	2.960		2.812	II	
-48	MS90376-48R	3.0000-16	2.960	3.225		3.050	II	

DESCRIPTION	DATE	REL NO. 24711-9	REVISIONS	
CHG NO.	SYM	DESCRIPTION	DATE	APPROVED
47535-841	A3	REDRAWN, SAME SIZE; WAS MS25178 (REF MS NO.) (TYPE II ONLY); ADD. SPEC CONTROL DRAWING; REDIMENSIONED (TYPE II ONLY)	8-30-67	Hayes
48535-368	A4	WAS .562 (D±.031 COL)(10-70500-11)	10-30-68	Hayes
56535-126	A5	REM D COL; ADD. .035	8-7-75	Russell
71525-65	B	(CL II) ADDED LOCAL NOTE	4-23-80	Bowker
73624-1	C	(CL II) SEE CHG NOTICE	9/1/82	Evans
80490	D	ADD-N-RELEASE 10-70500-009 + DATA	02/04/85	Bivardo



NOTES APPLICABLE TO TYPE I

- SUGGESTED SOURCE OF SUPPLY CLOVER INDUSTRIES, INC. TONAWANDA, N.Y.
- ENGINEERING SOURCE APPROVAL REQUIRED.
- TRADE MARK WILL NOT APPEAR ON SIZE 10 AND SMALLER.
- FULL THREAD, PORTION OF THREAD, OR PROJECTIONS TO ENGAGE FREELY WITH A CLASS 2B "GO" THREAD GAGE FOR THE SPECIFIED THREAD.
- (OPTIONAL IDENTIFICATION) THE SUFFIX OF THE BASIC PART NO. TO APPEAR ON SURFACE SO INDICATED.

NOTES APPLICABLE TO TYPE II

- ITEMS MUST BE A SNUG FIT FOR THE REF THREAD THROUGHOUT LIMITS OF MAJOR DIA.
- SUGGESTED SOURCES OF SUPPLY: CA PLUGS OR ROBROY INDUSTRIES 2150 ELMWOOD AVE MORRISVILLE, PA 19067 CODE IDENT 16639

NOTES:

ITEM NO.	QTY REQD	DESCRIPTION	PART NUMBER	CODE IDENT	ZONE	10-53301-1 & OTHERS
PARTS LIST						
UNLESS OTHERWISE SPECIFIED		DRAWN: D.M.H.	DATE: 5-5-53	THE Bendix CORPORATION SCINTILLA DIVISION SIDNEY, NEW YORK, U.S.A.		
LINEAR DIMENSIONS ARE IN INCHES. TOLERANCES: 3 PLACES ±.010; 2 PLACES ±.03; 1 PLACE ±.1; ANGLES ±2°. OTHER STANDARDS PER SCINTILLA SPEC 9-3800 AND MIL-STD 8.		CHECKED: Powell	DATE: 10-2-67	TITLE: CAP, PROTECTIVE, EXTERNAL SCREW THREAD		
MATERIAL SPEC AS SPECIFIED UNDER RESPECTIVE TYPES		MATERIAL: Pomeroy 9.12.67	STANDARDS: Powell	CODE IDENT NO. 77820		
PROCESS SPEC 9-2700 TYPE I ONLY		DRAFTING: Reed	ENGINEERING: D.P. Russell	SIZE C		
		DEVELOPMENT:		REF 10-70500		
				SCALE NONE WT		
				SHEET		

X-ON Electronics

Largest Supplier of Electrical and Electronic Components

Click to view similar products for [Circular MIL Spec Tools, Hardware & Accessories](#) *category:*

Click to view products by [Amphenol](#) *manufacturer:*

Other Similar products are found below :

[809-199-3](#) [001104](#) [300 04](#) [600-006-16](#) [600-079-06](#) [M10-101982-143](#) [M10-101982-163](#) [M10-101983-183](#) [M10-150912-083](#) [M10-454396-008](#) [602GB18808](#) [M225201-06](#) [M24758-20E21](#) [M2887610-BC](#) [M2887615-CD](#) [M38999/9-19B](#) [62GB-812-10](#) [630A007NF083A](#) [630B007M051A](#) [630BJ003NF032H](#) [637-149NF04B](#) [M39029/29-215](#) [650FS002NF16](#) [M81969-14-02](#) [660-008NF14S7-01](#) [660-009M22H8-03](#) [660-013NF19U6-210](#) [660-015M10S6-17](#) [660-015NF10S5-01](#) [660-015NF14R3.5-01](#) [660-023NF19H6-19](#) [660-024N09S5-104](#) [660-024NF11S12-01](#) [660-024NF11S3-01](#) [660-050XM17F4-01](#) [660-068NF25R6-30G](#) [660-070M23S8-04](#) [660-073MTCH9-20](#) [M83723/60-116RC](#) [M83723/61-18W](#) [M83723/61-218R](#) [M83723/61-224W](#) [667-224NF16](#) [M85049/118S22A](#) [M85049/126S11N](#) [M85049130-07M](#) [M85049140-09BC](#) [M85049/41-16A W/B](#) [687-697NF-1](#) [M85049/75-14-1](#) [M8504980-8](#)