

## General Specifications

### Motor Protection:

Auto Restart/Polarity Protection

### Insulation Resistance:

10M Ω or over with a DC500V Megger

### Dielectric Withstand Voltage: AC 700V 1s

### Allowable Ambient Temperature Range:

-10°C ~ +70°C (Operating)

-40°C ~ +70°C (Storage)

(non-condensing environment)

## Expected Life

### Failure Rate: 10%

60°C 40,000 Hours (AA/EA)

## Material

Casing : Plastic (Black) UL94V-0

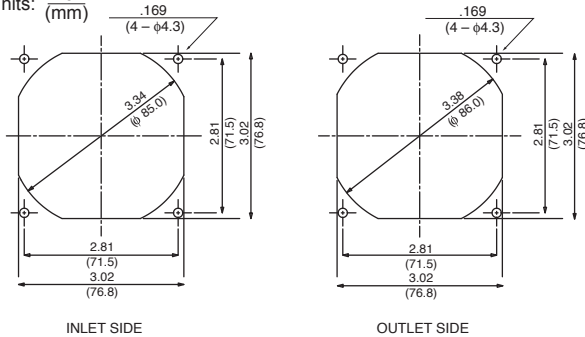
Impeller : Plastic (Black) UL94V-0

Bearing : Ball Bearing

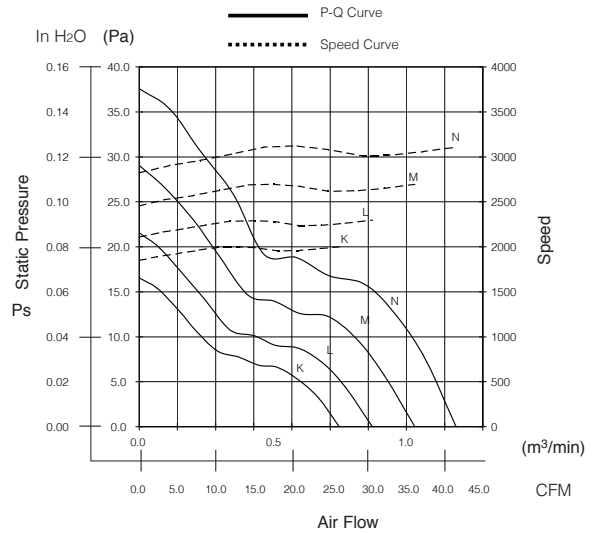
Lead Wire : UL3385, AWG26, +Red, -Black

## Panel Cut-Outs

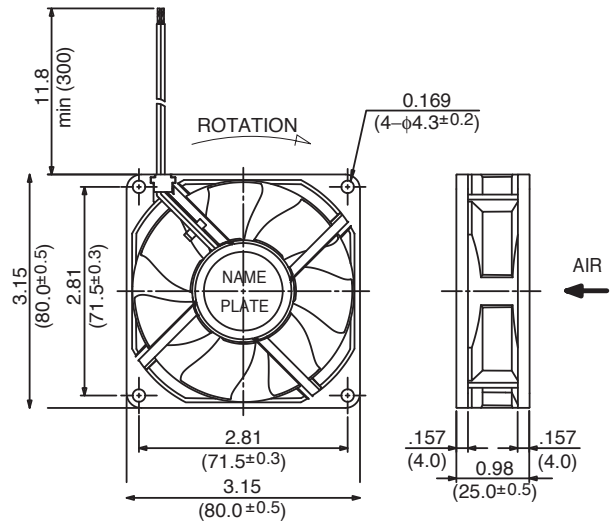
Units: inch (mm)



## Characteristic Curves



## Outline



## Specifications

MODEL	LEGACY P/N	Rated Voltage	Operating Voltage	Current	Input Power	Speed	Max. Air Flow		Max. Static Pressure		Noise	Mass
		(V)	(V)	(A) <sup>1</sup>	(W) <sup>1</sup>	(min <sup>-1</sup> ) <sup>1</sup>	CFM <sup>1</sup>	(m <sup>3</sup> /min) <sup>1</sup>	in H <sub>2</sub> O	(Pa) <sup>1</sup>	(dB) <sup>1</sup>	(g)
08025SA-12K-AA-00	3110SB-04W-B20-B00	12	6 ~ 13.8	0.05	0.60	2000	26.1	0.74	0.07	16.5	19.0	80
08025SA-12L-AA-00	3110SB-04W-B30-B00	12	6 ~ 13.8	0.06	0.72	2300	30.4	0.86	0.09	21.5	22.0	80
08025SA-12M-AA-00	3110SB-04W-B40-B00	12	6 ~ 13.8	0.09	1.08	2700	36.0	1.02	0.12	29.0	26.0	80
08025SA-12N-AA-00	3110SB-04W-B50-B00	12	6 ~ 13.8	0.14	1.68	3100	41.3	1.17	0.15	37.5	30.0	80
08025SA-12R-AA-00	3110SB-04W-B80-B00	12	7.0 ~ 13.8	0.32	3.84	4500	60.0	1.70	0.33	82.0	42.0	80
08025SA-24K-AA-00	3110SB-05W-B20-B00	24	12.0 ~ 27.6	0.03	0.72	2000	26.1	0.74	0.07	16.5	19.0	80
08025SA-24L-AA-00	3110SB-05W-B30-B00	24	12.0 ~ 27.6	0.04	0.96	2300	30.4	0.86	0.09	21.5	22.0	80
08025SA-24M-AA-00	3110SB-05W-B40-B00	24	12.0 ~ 27.6	0.06	1.44	2700	36.0	1.02	0.12	29.0	26.0	80
08025SA-24N-AA-00	3110SB-05W-B50-B00	24	12.0 ~ 27.6	0.08	1.92	3100	41.3	1.17	0.15	37.5	30.0	80
08025SA-24R-EA-00	3110SB-05W-B80-B00	24	12.0 ~ 26.4	0.17	4.08	4500	60.0	1.70	0.33	82.0	42.0	80

Rotation: Clockwise

Airflow Outlet: Air Out Over Struts

\*1: Average Values in Free Air

Note: PWM/Locked Rotor/Tach Available

## X-ON Electronics

Largest Supplier of Electrical and Electronic Components

*Click to view similar products for [DC Fans](#) category:*

*Click to view products by [NMB Technologies](#) manufacturer:*

Other Similar products are found below :

[614R](#) [6424/2HP-210](#) [8312R](#) [DV4118/2NP-183](#) [AFB0948HH-S687](#) [PFB0824DHE-8B72](#) [G2E085-AA05-10](#) [RD20S-4/210660](#) [4318/12T](#)  
[4418HH](#) [AUB0912H-F00](#) [3412N/2ME](#) [K2E225-RA92-09](#) [4184N/2XR](#) [5214N2HH](#) [614J2HHPR-010](#) [8412NGL-12](#) [4114N/12HHR-297](#)  
[4656](#) [ZWR-903](#) [4112N12GL-175](#) [KD2406PKB2.\(2\).GN](#) [AFB1248HHE](#) [AFB1212LE-F00](#) [FAN-SCH-1](#) [MF60151V1-1000U-G99](#)  
[PF80252V1-1000U-G99](#) [PF92252V1-1000U-G99](#) [4112N/2H6P](#) [4114N/17-251](#) [6212NH](#) [622/2N](#) [712F-011](#) [8218J/2NP-181](#) [W1G180-AB47-](#)  
[15](#) [FAA1-12038NBKW31-A](#) [6318N/2TDP](#) [6318N/2H3PU](#) [6318HU](#) [424JMU](#) [PMD1206PTVX-A.U.GN](#) [PF80251B2-000U-F99](#)  
[EF40101BX-1000U-G99](#) [AD1224LB-A71GL](#) [9GA0924L4021](#) [9GA0924M4021](#) [9GA0924M4011](#) [9GA0824B20011](#) [9GA0812A2D0011](#)  
[9GA0912M4D011](#) [9GA0924W4D01](#)