

64-Kbit (8 K × 8) SoftStore nvSRAM

Features

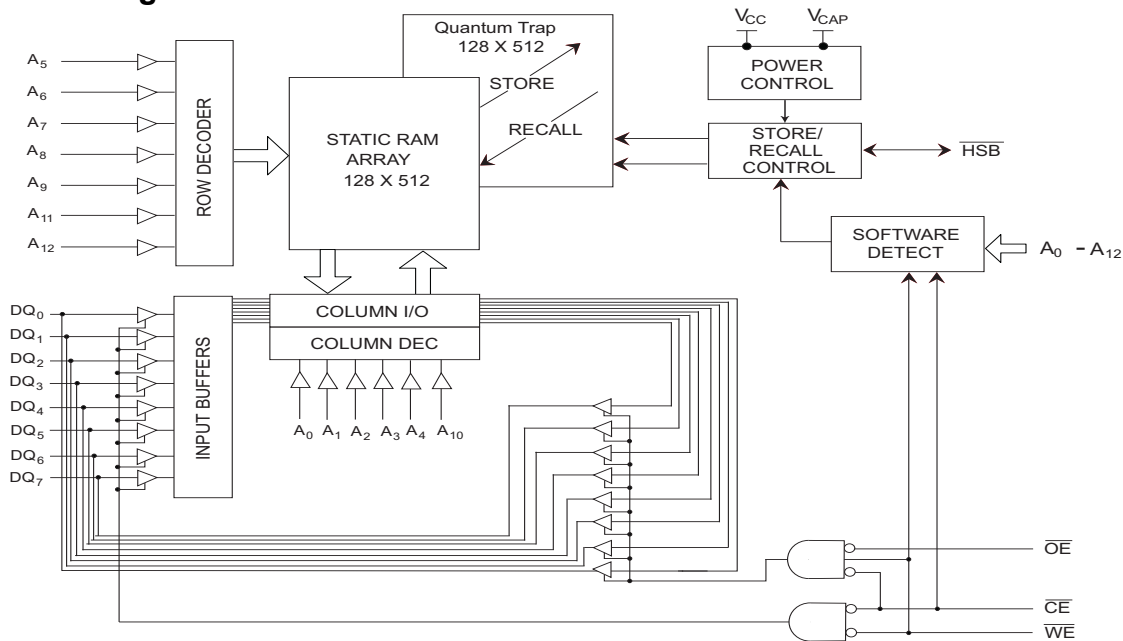
- 25 ns, 35 ns, and 45 ns access times
- Pin compatible with industry standard SRAMs
- Software initiated nonvolatile STORE
- Unlimited Read and Write endurance
- Automatic RECALL to SRAM on power up
- Unlimited RECALL cycles
- 1,000,000 STORE cycles
- 100 year data retention
- Single 5 V±10% operation
- Commercial and industrial temperature
- 28-pin (330 mil) SOIC package
- 28-pin (300 mil) CDIP and 28-pad (350 mil) LCC packages
- RoHS compliance

Functional Description

The Cypress STK11C68 is a 64Kb fast static RAM with a nonvolatile element in each memory cell. The embedded nonvolatile elements incorporate QuantumTrap technology producing the world's most reliable nonvolatile memory. The SRAM provides unlimited read and write cycles, while independent nonvolatile data resides in the highly reliable QuantumTrap cell. Data transfers under software control from SRAM to the nonvolatile elements (the STORE operation). On power up, data is automatically restored to the SRAM (the RECALL operation) from the nonvolatile memory. RECALL operations are also available under software control.

For a complete list of related documentation, click [here](#).

Logic Block Diagram



Not recommended for new designs. In production to support ongoing production programs only.

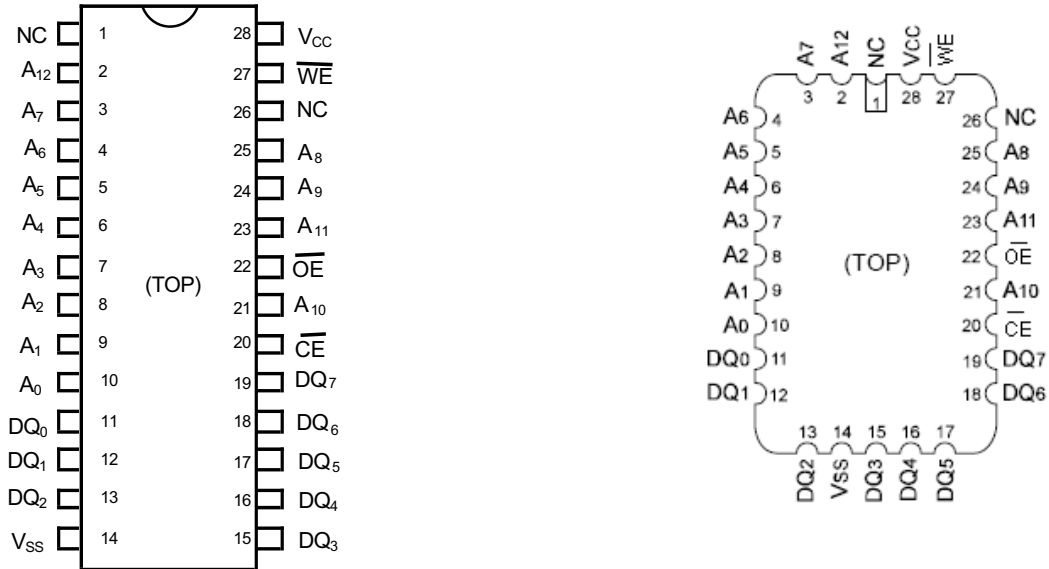
Contents

| | | | |
|--|----------|--|-----------|
| Pin Configurations | 3 | AC Test Conditions | 7 |
| Pin Definitions | 3 | AC Switching Characteristics | 8 |
| Device Operation | 4 | SRAM Read Cycle | 8 |
| SRAM Read | 4 | SRAM Write Cycle..... | 9 |
| SRAM Write | 4 | AutoStore INHIBIT or Power Up RECALL | 10 |
| Software STORE | 4 | Software Controlled STORE/RECALL Cycle..... | 11 |
| Software RECALL..... | 4 | Part Numbering Nomenclature..... | 12 |
| Hardware RECALL (Power Up)..... | 4 | Ordering Information..... | 12 |
| Hardware Protect..... | 4 | Package Diagrams..... | 13 |
| Noise Considerations..... | 4 | Acronyms | 16 |
| Low Average Active Power..... | 4 | Document Conventions | 16 |
| Best Practices | 5 | Units of Measure | 16 |
| Maximum Ratings..... | 6 | Document History Page | 17 |
| Operating Range..... | 6 | Sales, Solutions, and Legal Information | 18 |
| DC Electrical Characteristics | 6 | Worldwide Sales and Design Support..... | 18 |
| Data Retention and Endurance | 6 | Products | 18 |
| Capacitance | 7 | PSoC Solutions | 18 |
| Thermal Resistance..... | 7 | | |

Not recommended for new designs. In production to support ongoing production programs only.

Pin Configurations

Figure 1. Pin Diagram – 28-Pin SOIC/DIP and 28-Pin LLC



Pin Definitions

| Pin Name | Alt | I/O Type | Description |
|----------------------------------|----------------|-----------------|--|
| A ₀ –A ₁₂ | | Input | Address Inputs. Used to select one of the 8,192 bytes of the nvSRAM. |
| DQ ₀ –DQ ₇ | | Input or Output | Bidirectional Data I/O Lines. Used as input or output lines depending on operation. |
| \overline{WE} | \overline{W} | Input | Write Enable Input, Active LOW. When the chip is enabled and \overline{WE} is LOW, data on the I/O pins is written to the specific address location. |
| \overline{CE} | \overline{E} | Input | Chip Enable Input, Active LOW. When LOW, selects the chip. When HIGH, deselects the chip. |
| \overline{OE} | \overline{G} | Input | Output Enable, Active LOW. The active LOW \overline{OE} input enables the data output buffers during read cycles. Deasserting \overline{OE} HIGH causes the I/O pins to tristate. |
| V _{SS} | | Ground | Ground for the Device. The device is connected to ground of the system. |
| V _{CC} | | Power Supply | Power Supply Inputs to the Device. |

Not recommended for new designs. In production to support ongoing production programs only.

Device Operation

The STK11C68 is a versatile memory chip that provides several modes of operation. The STK16C88 can operate as a standard 8K x 8 SRAM. A 8K x 8 array of nonvolatile storage elements shadow the SRAM. SRAM data can be copied nonvolatile memory or nonvolatile data can be recalled to the SRAM.

SRAM Read

The STK11C68 performs a Read cycle whenever \overline{CE} and \overline{OE} are LOW while \overline{WE} is HIGH. The address specified on pins A_{0-12} determines the 8,192 data bytes accessed. When the Read is initiated by an address transition, the outputs are valid after a delay of t_{AA} (Read cycle 1). If the Read is initiated by \overline{CE} or \overline{OE} , the outputs are valid at t_{ACE} or at t_{DOE} , whichever is later (Read cycle 2). The data outputs repeatedly respond to address changes within the t_{AA} access time without the need for transitions on any control input pins, and remains valid until another address change or until \overline{CE} or \overline{OE} is brought HIGH, or \overline{WE} brought LOW.

SRAM Write

A Write cycle is performed whenever \overline{CE} and \overline{WE} are LOW. The address inputs must be stable prior to entering the Write cycle and must remain stable until either \overline{CE} or \overline{WE} goes HIGH at the end of the cycle. The data on the common I/O pins DQ_{0-7} are written into the memory if it has valid t_{SD} , before the end of a \overline{WE} controlled Write or before the end of an \overline{CE} controlled Write. Keep \overline{OE} HIGH during the entire Write cycle to avoid data bus contention on common I/O lines. If \overline{OE} is left LOW, internal circuitry turns off the output buffers t_{HZWE} after \overline{WE} goes LOW.

Software STORE

Data is transferred from the SRAM to the nonvolatile memory by a software address sequence. The STK11C68 software STORE cycle is initiated by executing sequential \overline{CE} controlled Read cycles from six specific address locations in exact order. During the STORE cycle, an erase of the previous nonvolatile data is first performed followed by a program of the nonvolatile elements. When a STORE cycle is initiated, input and output are disabled until the cycle is completed.

Because a sequence of Reads from specific addresses is used for STORE initiation, it is important that no other Read or Write accesses intervene in the sequence. If they intervene, the sequence is aborted and no STORE or RECALL takes place.

To initiate the software STORE cycle, the following Read sequence is performed:

1. Read address 0x0000, Valid READ
2. Read address 0x1555, Valid READ
3. Read address 0x0AAA, Valid READ
4. Read address 0x1FFF, Valid READ
5. Read address 0x10F0, Valid READ
6. Read address 0x0F0F, Initiate STORE cycle

The software sequence is clocked with \overline{CE} controlled Reads. When the sixth address in the sequence is entered, the STORE cycle commences and the chip is disabled. It is important that Read cycles and not Write cycles are used in the sequence. It is not necessary that \overline{OE} is LOW for a valid sequence. After the

t_{STORE} cycle time is fulfilled, the SRAM is again activated for Read and Write operation.

Software RECALL

Data is transferred from the nonvolatile memory to the SRAM by a software address sequence. A software RECALL cycle is initiated with a sequence of Read operations in a manner similar to the software STORE initiation. To initiate the RECALL cycle, the following sequence of \overline{CE} controlled Read operations is performed:

1. Read address 0x0000, Valid READ
2. Read address 0x1555, Valid READ
3. Read address 0x0AAA, Valid READ
4. Read address 0x1FFF, Valid READ
5. Read address 0x10F0, Valid READ
6. Read address 0x0F0E, Initiate RECALL cycle

Internally, RECALL is a two step procedure. First, the SRAM data is cleared; then, the nonvolatile information is transferred into the SRAM cells. After the t_{RECALL} cycle time, the SRAM is again ready for Read and Write operations. The RECALL operation does not alter the data in the nonvolatile elements. The nonvolatile data can be recalled an unlimited number of times.

Hardware RECALL (Power Up)

During power up or after any low power condition ($V_{CC} < V_{RESET}$), an internal RECALL request is latched. When V_{CC} once again exceeds the sense voltage of V_{SWITCH} , a RECALL cycle is automatically initiated and takes $t_{HRECALL}$ to complete.

If the STK11C68 is in a Write state at the end of power up RECALL, the SRAM data is corrupted. To help avoid this situation, a 10 Kohm resistor is connected either between \overline{WE} and system V_{CC} or between \overline{CE} and system V_{CC} .

Hardware Protect

The STK11C68 offers hardware protection against inadvertent STORE operation and SRAM Writes during low voltage conditions. When $V_{CAP} < V_{SWITCH}$, all externally initiated STORE operations and SRAM Writes are inhibited.

Noise Considerations

The STK11C68 is a high speed memory. It must have a high frequency bypass capacitor of approximately 0.1 μ F connected between V_{CC} and V_{SS} , using leads and traces that are as short as possible. As with all high speed CMOS ICs, careful routing of power, ground, and signals reduce circuit noise.

Low Average Active Power

CMOS technology provides the STK11C68 the benefit of drawing significantly less current when it is cycled at times longer than 50 ns. Figure 2 shows the relationship between I_{CC} and Read or Write cycle time. Worst case current consumption is shown for both CMOS and TTL input levels (commercial temperature range, $V_{CC} = 5.5$ V, 100% duty cycle on chip enable). Only standby current is drawn when the chip is disabled.

The overall average current drawn by the STK11C68 depends on the following items:

- The duty cycle of chip enable
- The overall cycle rate for accesses
- The ratio of Reads to Writes
- CMOS versus TTL input levels
- The operating temperature
- The V_{CC} level
- I/O loading

Figure 2. Current Versus Cycle Time (Read)

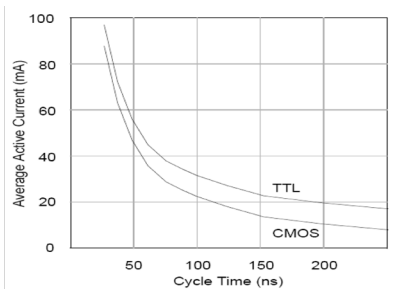


Figure 3. Current Versus Cycle Time (Write)

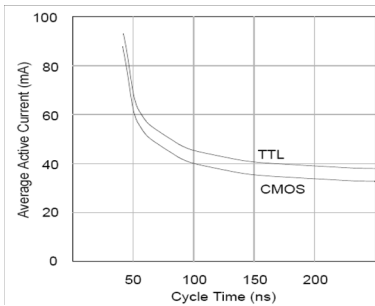


Table 1. Hardware Mode Selection

| CE | WE | A12-A0 | Mode | I/O | Notes |
|----|----|--|---|--|-------|
| L | H | 0x0000 0x1555 0x0AAA 0x1FFF 0x10F0 0x0F0F | Read SRAM Read SRAM Read SRAM Read SRAM Read SRAM Nonvolatile STORE | Output Data Output Data Output Data Output Data Output Data Output High Z | [1] |
| L | H | 0x0000 0x1555 0x0AAA 0x1FFF 0x10F0 0x0F0E | Read SRAM Read SRAM Read SRAM Read SRAM Read SRAM Nonvolatile RECALL | Output Data Output Data Output Data Output Data Output Data Output High Z | [1] |

Note

1. The six consecutive addresses must be in the order listed. WE must be high during all six consecutive CE controlled cycles to enable a nonvolatile cycle.

Best Practices

nvSRAM products have been used effectively for over 15 years. While ease of use is one of the product’s main system values, experience gained working with hundreds of applications has resulted in the following suggestions as best practices:

- The nonvolatile cells in an nvSRAM are programmed on the test floor during final test and quality assurance. Incoming inspection routines at customer or contract manufacturer’s sites sometimes reprograms these values. Final NV patterns are typically repeating patterns of AA, 55, 00, FF, A5, or 5A. The end product’s firmware should not assume that an NV array is in a set programmed state. Routines that check memory content values to determine first time system configuration, cold or warm boot status, and so on must always program a unique NV pattern (for example, complex 4-byte pattern of 46 E6 49 53 hex or more random bytes) as part of the final system manufacturing test to ensure these system routines work consistently.
- Power up boot firmware routines should rewrite the nvSRAM into the desired state. While the nvSRAM is shipped in a preset state, best practice is to again rewrite the nvSRAM into the desired state as a safeguard against events that might flip the bit inadvertently (program bugs, incoming inspection routines, and so on).

Not recommended for new designs. In production to support ongoing production programs only.

Maximum Ratings

Exceeding maximum ratings may shorten the useful life of the device. These user guidelines are not tested.

Storage Temperature -65 °C to +150 °C
 Temperature under bias..... -55 °C to +125 °C
 Supply Voltage on V_{CC} Relative to GND -0.5 V to 7.0 V
 Voltage on Input Relative to V_{SS} -0.6 V to V_{CC} + 0.5 V
 Voltage on DQ₀₋₇ -0.5 V to V_{CC} + 0.5 V

Power Dissipation 1.0 W
 DC Output Current (1 output at a time, 1s duration).... 15 mA

Operating Range

| Range | Ambient Temperature | V _{CC} |
|------------|---------------------|-----------------|
| Commercial | 0 °C to +70 °C | 4.5 V to 5.5 V |
| Industrial | -40 °C to +85 °C | 4.5 V to 5.5 V |

DC Electrical Characteristics

Over the operating range (V_{CC} = 4.5 V to 5.5 V)

| Parameter | Description | Test Conditions | Min | Max | Unit |
|---------------------------------|---|---|-----------------------|-----------------------|----------------|
| I _{CC1} | Average V _{CC} Current | t _{RC} = 25 ns t _{RC} = 35 ns t _{RC} = 45 ns Dependent on output loading and cycle rate. Values obtained without output loads. I _{OUT} = 0 mA. | Commercial | 90 75 65 | mA mA mA |
| | | | Industrial | 90 75 65 | mA mA mA |
| I _{CC2} | Average V _{CC} Current during STORE | All Inputs Do Not Care, V _{CC} = Max Average current for duration t _{STORE} | | 3 | mA |
| I _{CC3} | Average V _{CC} Current at t _{RC} = 200 ns, 5 V, 25 °C Typical | WE ≥ (V _{CC} - 0.2 V). All other inputs cycling. Dependent on output loading and cycle rate. Values obtained without output loads. | | 10 | mA |
| I _{SB1} ^[2] | V _{CC} Standby Current (Standby, Cycling TTL Input Levels) | t _{RC} = 25 ns, CE ≥ V _{IH} t _{RC} = 35 ns, CE ≥ V _{IH} t _{RC} = 45 ns, CE ≥ V _{IH} | Commercial | 27 23 20 | mA mA mA |
| | | | Industrial | 28 24 21 | mA mA mA |
| I _{SB2} ^[2] | V _{CC} Standby Current | CE ≥ (V _{CC} - 0.2 V). All others V _{IN} ≤ 0.2 V or ≥ (V _{CC} - 0.2 V). Standby current level after nonvolatile cycle is complete. Inputs are static. f = 0 MHz. | Commercial | 750 | μA |
| | | | Industrial | 1500 | μA |
| I _{IX} | Input Leakage Current | V _{CC} = Max, V _{SS} ≤ V _{IN} ≤ V _{CC} | -1 | +1 | μA |
| I _{OZ} | Off State Output Leakage Current | V _{CC} = Max, V _{SS} ≤ V _{IN} ≤ V _{CC} , CE or OE ≥ V _{IH} or WE ≤ V _{IL} | -5 | +5 | μA |
| V _{IH} | Input HIGH Voltage | | 2.2 | V _{CC} + 0.5 | V |
| V _{IL} | Input LOW Voltage | | V _{SS} - 0.5 | 0.8 | V |
| V _{OH} | Output HIGH Voltage | I _{OUT} = -4 mA | 2.4 | | V |
| V _{OL} | Output LOW Voltage | I _{OUT} = 8 mA | | 0.4 | V |

Data Retention and Endurance

| Parameter | Description | Min | Unit |
|-------------------|------------------------------|-------|-------|
| DATA _R | Data Retention | 100 | Years |
| NV _C | Nonvolatile STORE Operations | 1,000 | K |

Note

2. CE ≥ V_{IH} does not produce standby current levels until any nonvolatile cycle in progress has timed out.

Capacitance

In the following table, the capacitance parameters are listed.^[3]

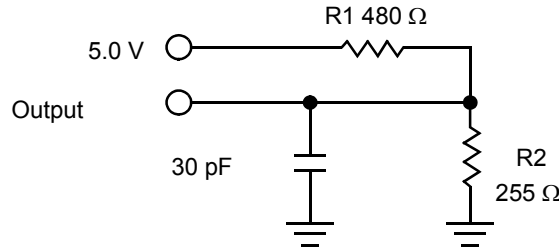
| Parameter | Description | Test Conditions | Max | Unit |
|------------------|--------------------|--|-----|------|
| C _{IN} | Input Capacitance | T _A = 25 °C, f = 1 MHz, V _{CC} = 0 to 3.0 V | 8 | pF |
| C _{OUT} | Output Capacitance | | 7 | pF |

Thermal Resistance

In the following table, the thermal resistance parameters are listed.^[3]

| Parameter | Description | Test Conditions | 28-SOIC | 28-CDIP | 28-LCC | Unit |
|-----------------|--|--|---------|---------|--------|------|
| Θ _{JA} | Thermal Resistance (Junction to Ambient) | Test conditions follow standard test methods and procedures for measuring thermal impedance, per EIA / JESD51. | TBD | TBD | TBD | °C/W |
| Θ _{JC} | Thermal Resistance (Junction to Case) | | TBD | TBD | TBD | °C/W |

Figure 4. AC Test Loads



AC Test Conditions

Input Pulse Levels 0 V to 3 V
 Input Rise and Fall Times (10% to 90%) ≤5 ns
 Input and Output Timing Reference Levels 1.5 V

Note

3. These parameters are guaranteed by design and are not tested.

AC Switching Characteristics

SRAM Read Cycle

| Parameter | | Description | 25 ns | | 35 ns | | 45 ns | | Unit |
|-------------------|----------------------|-----------------------------------|-------|-----|-------|-----|-------|-----|------|
| Cypress Parameter | Alt | | Min | Max | Min | Max | Min | Max | |
| t_{ACE} | t_{ELQV} | Chip Enable Access Time | | 25 | | 35 | | 45 | ns |
| $t_{RC}^{[4]}$ | t_{AVAV}, t_{ELEH} | Read Cycle Time | 25 | | 35 | | 45 | | ns |
| $t_{AA}^{[5]}$ | t_{AVQV} | Address Access Time | | 25 | | 35 | | 45 | ns |
| t_{DOE} | t_{GLQV} | Output Enable to Data Valid | | 10 | | 15 | | 20 | ns |
| $t_{OHA}^{[5]}$ | t_{AXQX} | Output Hold After Address Change | 5 | | 5 | | 5 | | ns |
| $t_{LZCE}^{[6]}$ | t_{ELQX} | Chip Enable to Output Active | 5 | | 5 | | 5 | | ns |
| $t_{HZCE}^{[6]}$ | t_{EHQZ} | Chip Disable to Output Inactive | | 10 | | 13 | | 15 | ns |
| $t_{LZOE}^{[6]}$ | t_{GLQX} | Output Enable to Output Active | 0 | | 0 | | 0 | | ns |
| $t_{HZOE}^{[6]}$ | t_{GHQZ} | Output Disable to Output Inactive | | 10 | | 13 | | 15 | ns |
| $t_{PU}^{[3]}$ | t_{ELICCH} | Chip Enable to Power Active | 0 | | 0 | | 0 | | ns |
| $t_{PD}^{[3]}$ | t_{EHICCL} | Chip Disable to Power Standby | | 25 | | 35 | | 45 | ns |

Switching Waveforms

Figure 5. SRAM Read Cycle 1: Address Controlled [4, 5]

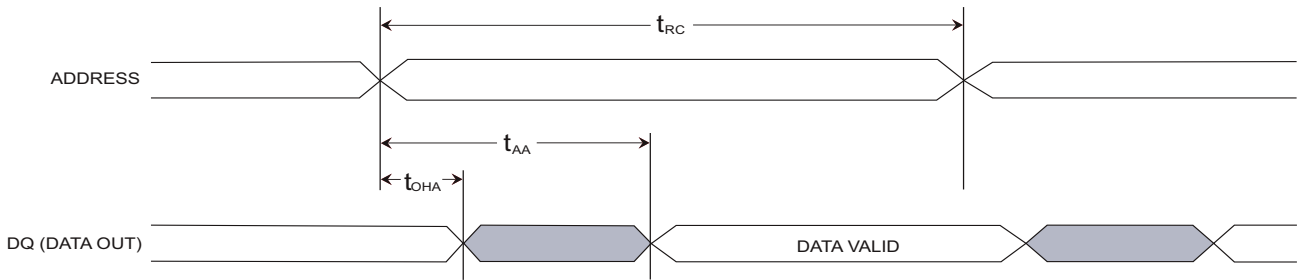
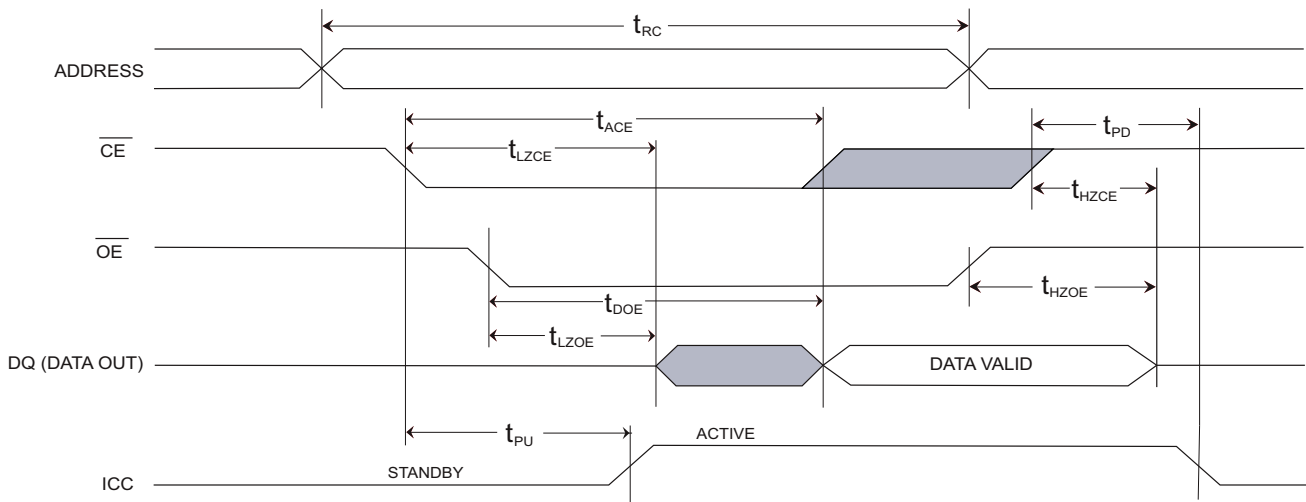


Figure 6. SRAM Read Cycle 2: \overline{CE} and \overline{OE} Controlled [4]



Notes

- WE must be High during SRAM Read cycles.
- I/O state assumes \overline{CE} and $\overline{OE} \leq V_{IL}$ and $WE \geq V_{IH}$; device is continuously selected.
- Measured ± 200 mV from steady state output voltage.

SRAM Write Cycle

| Parameter | | Description | 25 ns | | 35 ns | | 45 ns | | Unit |
|--------------------|----------------------|----------------------------------|-------|-----|-------|-----|-------|-----|------|
| Cypress Parameter | Alt | | Min | Max | Min | Max | Min | Max | |
| t_{WC} | t_{AVAV} | Write Cycle Time | 25 | | 35 | | 45 | | ns |
| t_{PWE} | t_{WLWH}, t_{WLEH} | Write Pulse Width | 20 | | 25 | | 30 | | ns |
| t_{SCE} | t_{ELWH}, t_{ELEH} | Chip Enable To End of Write | 20 | | 25 | | 30 | | ns |
| t_{SD} | t_{DVWH}, t_{DVEH} | Data Setup to End of Write | 10 | | 12 | | 15 | | ns |
| t_{HD} | t_{WHDX}, t_{EHDX} | Data Hold After End of Write | 0 | | 0 | | 0 | | ns |
| t_{AW} | t_{AVWH}, t_{AVEH} | Address Setup to End of Write | 20 | | 25 | | 30 | | ns |
| t_{SA} | t_{AVWL}, t_{AVEL} | Address Setup to Start of Write | 0 | | 0 | | 0 | | ns |
| t_{HA} | t_{WHAX}, t_{EHAX} | Address Hold After End of Write | 0 | | 0 | | 0 | | ns |
| $t_{HZWE}^{[6,7]}$ | t_{WLQZ} | Write Enable to Output Disable | | 10 | | 13 | | 15 | ns |
| $t_{LZWE}^{[6]}$ | t_{WHQX} | Output Active After End of Write | 5 | | 5 | | 5 | | ns |

Switching Waveforms

Figure 7. SRAM Write Cycle 1: \overline{WE} Controlled [7, 8]

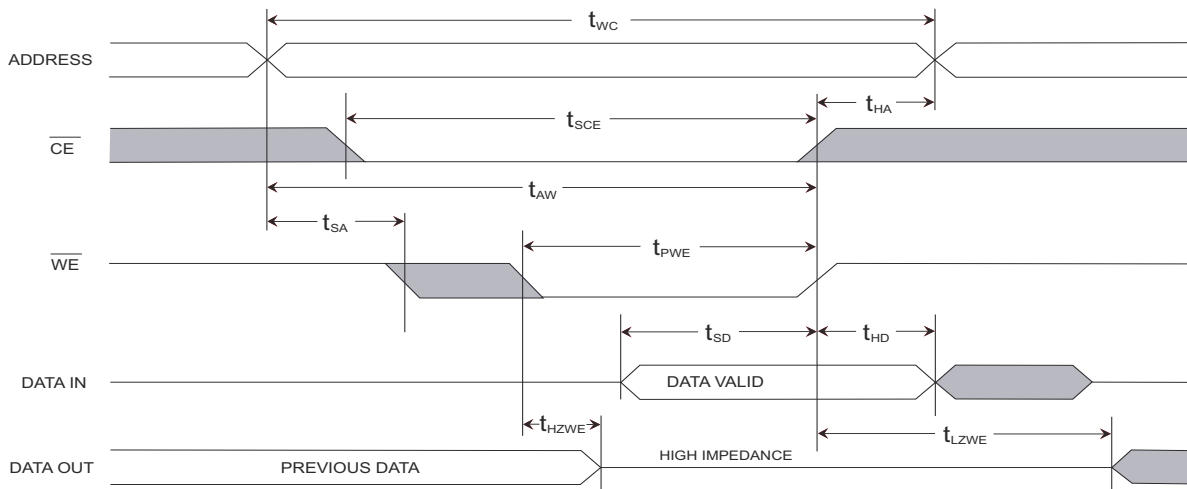
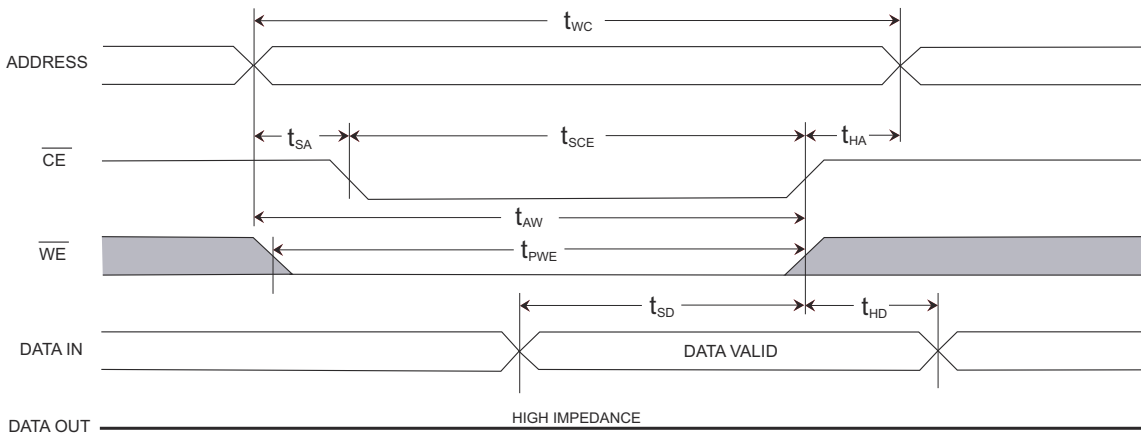


Figure 8. SRAM Write Cycle 2: \overline{CE} and \overline{OE} Controlled [7, 8]



Notes

- 7. If \overline{WE} is Low when \overline{CE} goes Low, the outputs remain in the high impedance state.
- 8. \overline{CE} or \overline{WE} must be greater than V_{IH} during address transitions.

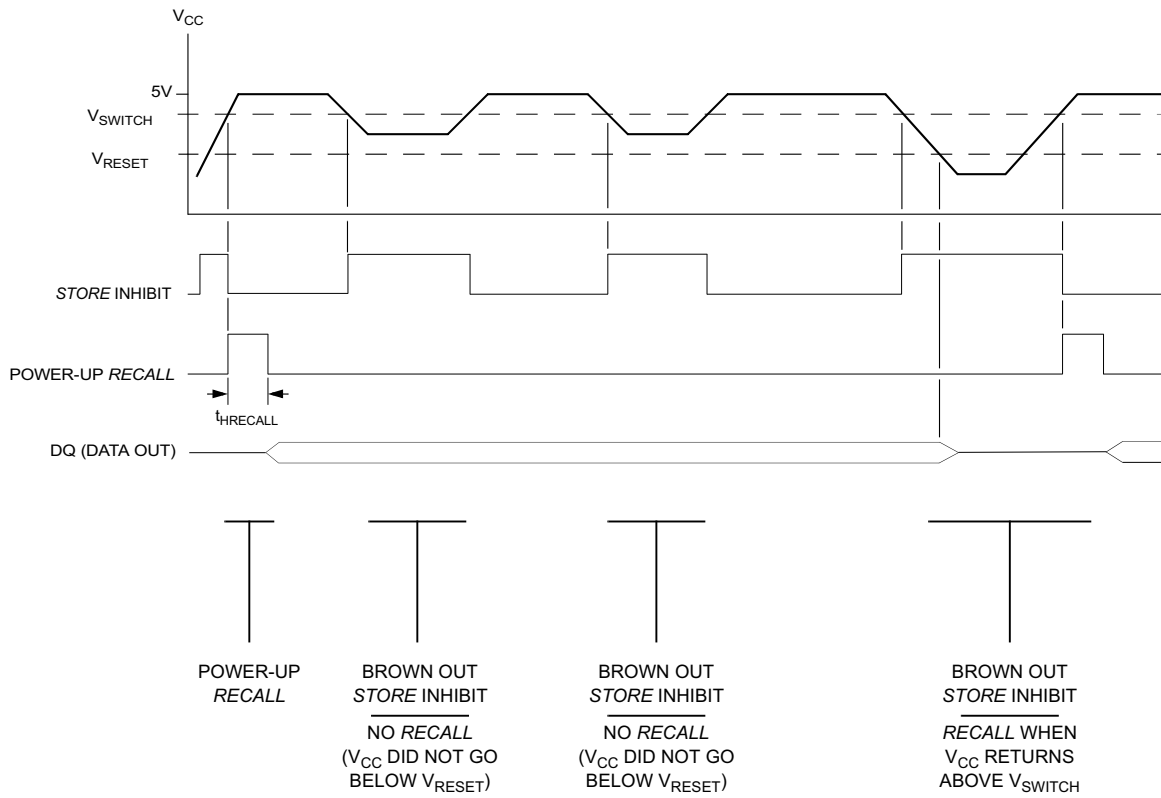
Not recommended for new designs. In production to support ongoing production programs only.

AutoStore INHIBIT or Power Up RECALL

| Parameter | Alt | Description | STK11C68 | | Unit |
|---------------------|---------------|---------------------------|----------|-----|---------|
| | | | Min | Max | |
| $t_{HRECALL}^{[9]}$ | $t_{RESTORE}$ | Power up RECALL Duration | | 550 | μs |
| t_{STORE} | t_{HLHZ} | STORE Cycle Duration | | 10 | ms |
| V_{SWITCH} | | Low Voltage Trigger Level | 4.0 | 4.5 | V |
| V_{RESET} | | Low Voltage Reset Level | | 3.6 | V |

Switching Waveform

Figure 9. AutoStore INHIBIT/Power Up RECALL



Note

9. $t_{HRECALL}$ starts from the time V_{CC} rises above V_{SWITCH}.

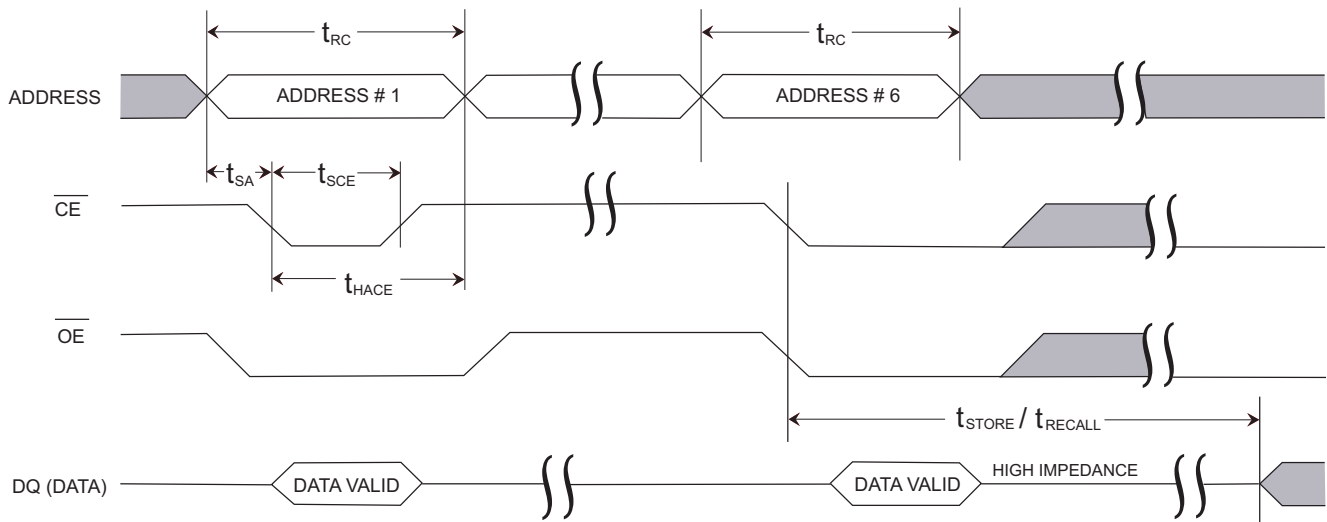
Software Controlled STORE/RECALL Cycle

The software controlled STORE/RECALL cycle follows. ^[10, 11]

| Parameter | Alt | Description | 25 ns | | 35 ns | | 45 ns | | Unit |
|---------------------|------------|------------------------------------|-------|-----|-------|-----|-------|-----|---------|
| | | | Min | Max | Min | Max | Min | Max | |
| t_{RC} | t_{AVAV} | STORE/RECALL Initiation Cycle Time | 25 | | 35 | | 45 | | ns |
| $t_{SA}^{[10]}$ | t_{AVEL} | Address Setup Time | 0 | | 0 | | 0 | | ns |
| $t_{CW}^{[10]}$ | t_{ELEH} | Clock Pulse Width | 20 | | 25 | | 30 | | ns |
| $t_{HACE}^{[10]}$ | t_{ELAX} | Address Hold Time | 20 | | 20 | | 20 | | ns |
| $t_{RECALL}^{[10]}$ | | RECALL Duration | | 20 | | 20 | | 20 | μ s |

Switching Waveform

Figure 10. \overline{CE} Controlled Software STORE/RECALL Cycle ^[11]

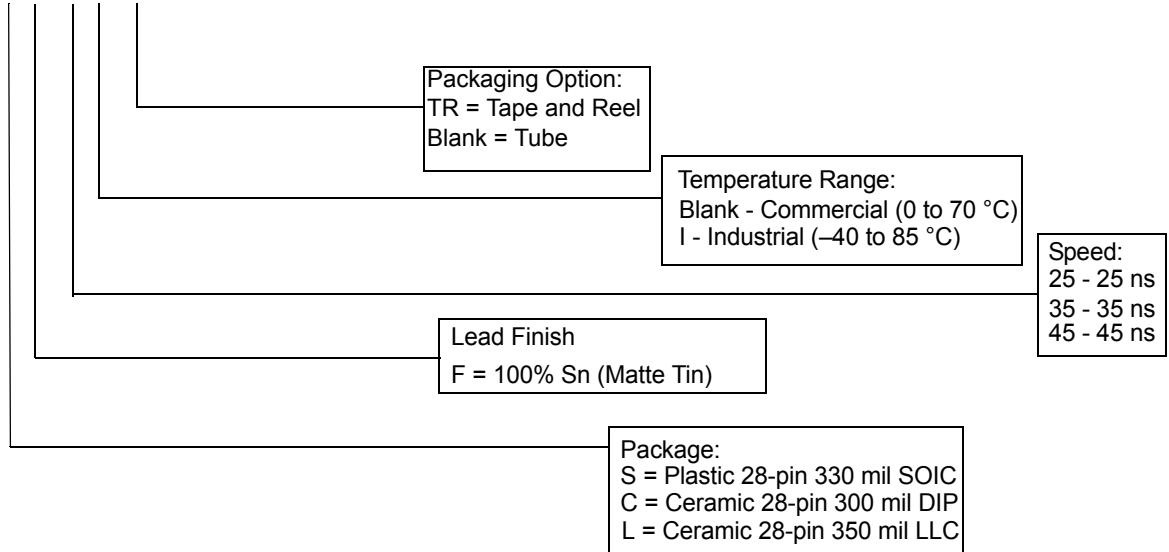


Notes

- 10. The software sequence is clocked on the falling edge of \overline{CE} without involving \overline{OE} (double clocking aborts the sequence).
- 11. The six consecutive addresses must be read in the order listed in Table 1 on page 5. \overline{WE} must be HIGH during all six consecutive cycles.

Part Numbering Nomenclature

STK11C68 – S F 45 I TR



Ordering Information

These parts are not recommended for new designs. They are in production to support ongoing production programs only.

| Speed (ns) | Ordering Code | Package Diagram | Package Type | Operating Range |
|------------|-----------------|-----------------|-----------------------|-----------------|
| 35 | STK11C68-C35I | 001-51695 | 28-Pin CDIP (300 mil) | Industrial |
| 45 | STK11C68-SF45TR | 51-85058 | 28-Pin SOIC (330 mil) | |
| | STK11C68-SF45 | 51-85058 | 28-Pin SOIC (330 mil) | |

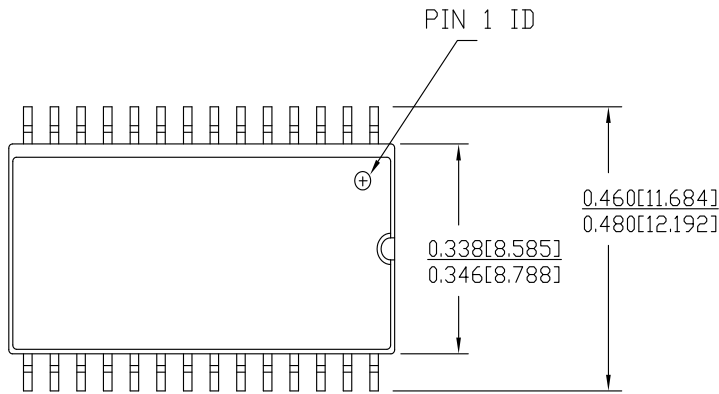
All parts are Pb-free. The above table contains Final information. Contact your local Cypress sales representative for availability of these parts

Not recommended for new designs. In production to support ongoing production programs only.

Package Diagrams

Figure 11. 28-Pin (330 Mil) SOIC (51-85058)

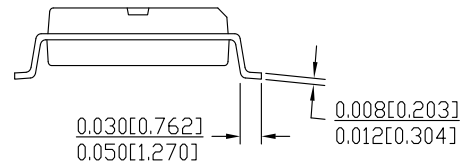
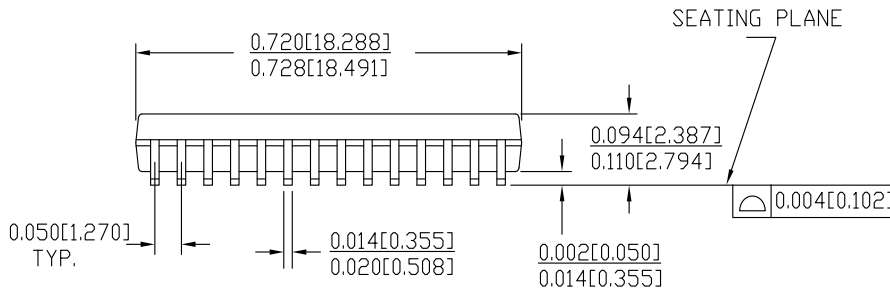
CURRENT SOIC 28.330 WITH WIDE BODY



DIMENSIONS IN INCHES[MM] MIN.
MAX.

PACKAGE WEIGHT 0.79gms

| PART # | |
|---------|----------------|
| S28.33 | STANDARD PKG. |
| SZ28.33 | LEAD FREE PKG. |

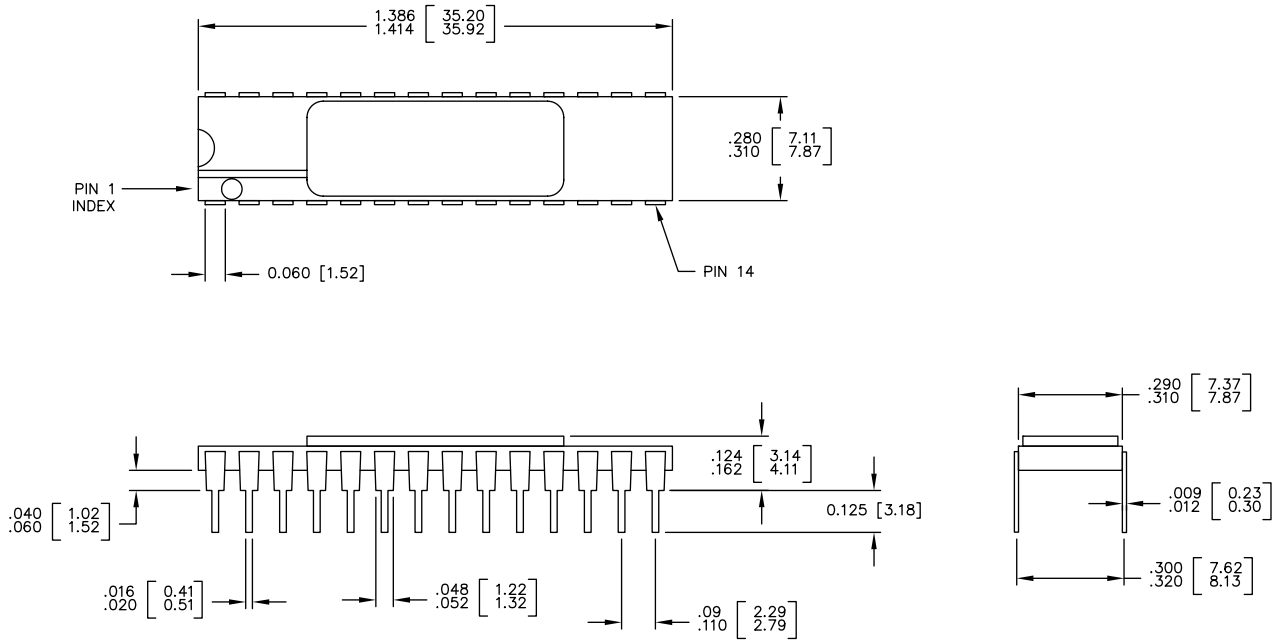


51-85058 *D

Not recommended for new designs. In production to support ongoing production programs only.

Package Diagrams (continued)

Figure 12. 28-Pin (300 Mil) Side Braze DIL (001-51695)



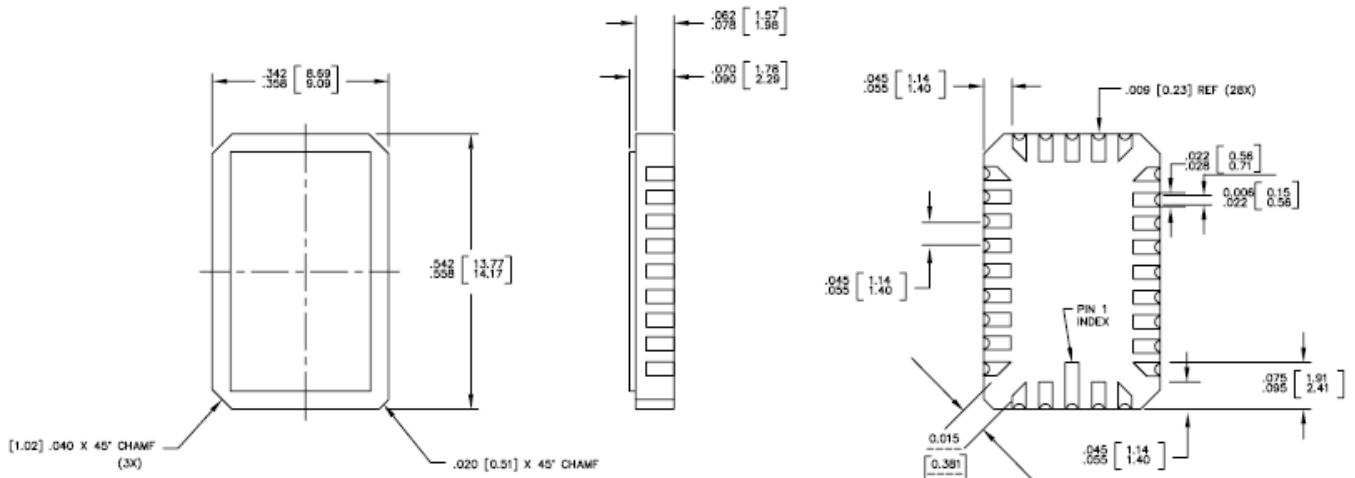
1. ALL DIMENSIONS ARE IN INCHES AND MILLIMETERS [MIN/MAX]
2. PACKAGE WEIGHT: See Cypress Package Material Declaration Datasheet (PMDD) posted on the Cypress Web
3. JEDEC REFERENCE : MO-058

001-51695 *C

Not recommended for new designs. In production to support ongoing production programs only.

Package Diagrams (continued)

Figure 13. 28-Pad (350 Mil) LCC (001-51696)



1. ALL DIMENSION ARE IN INCHES AND MILLIMETERS [MIN/MAX]
2. JEDEC 95 OUTLINE# MO-041
3. PACKAGE WEIGHT: See Cypress Package Material Declaration Datasheet (PMDD) posted on the Cypress Web

001-51696 °C

Not recommended for new designs. In production to support ongoing production programs only.

Acronyms

| Acronym | Description |
|-----------------|--|
| CE | chip enable |
| CMOS | complementary metal oxide semiconductor |
| EIA | electronic industries alliance |
| I/O | input/output |
| nvSRAM | non-volatile static random access memory |
| \overline{OE} | output enable |
| RoHS | restriction of hazardous substances |
| SRAM | static random access memory |
| WE | write enable |

Document Conventions

Units of Measure

| Symbol | Unit of Measure |
|--------|-----------------|
| °C | degree Celsius |
| Hz | hertz |
| kHz | kilohertz |
| kΩ | kilo-ohm |
| MHz | megahertz |
| μA | microampere |
| μF | microfarad |
| μs | microsecond |
| mA | milliampere |
| ms | millisecond |
| ns | nanosecond |
| Ω | ohm |
| % | percent |
| pF | picofarad |
| V | volt |
| W | watt |

Not recommended for new designs. In production to support ongoing production programs only.

Document History Page

| Document Title: STK11C68 64-Kbit (8 K × 8) SoftStore nvSRAM Document Number: 001-50638 | | | | |
|---|---------|-----------------|-----------------|--|
| Revision | ECN | Orig. of Change | Submission Date | Description of Change |
| ** | 2625084 | GVCH/PYRS | 01/30/2009 | New data sheet |
| *A | 2826441 | GVCH | 12/11/2009 | Added following text in the Ordering Information section: "These parts are not recommended for new designs. In production to support ongoing production programs only." Added watermark in PDF stating "Not recommended for new designs. In production to support ongoing production programs only." Added Contents on page 2. |
| *B | 2902591 | GVCH | 04/05/2010 | Removed inactive parts from Ordering Information. Updated Package Diagrams. |
| *C | 3052511 | GVCH | 10/08/2010 | Removed the following inactive parts from the Ordering Information table: STK11C68-L35, STK11C68-L35I, STK11C68-L45, STK11C68-L45I, STK11C68-SF25, STK11C68-SF25I, STK11C68-SF25ITR, STK11C68-SF25TR Removed the 28-pin LCC package diagram |
| *D | 3527653 | GVCH | 02/20/2012 | Package Diagrams : Updated 28-Pin (330 Mil) SOIC package diagram |
| *E | 4571551 | GVCH | 11/17/2014 | Added documentation related hyperlink in page 1 Removed pruned parts - STK11C68-SF45ITR, STK11C68-SF45I Updated package diagram from 001-51695 *A to 001-51695 *B |
| *F | 4693449 | GVCH | 03/24/2015 | Figure 13 : Added 28-Pad (350 Mil) LCC package diagram Updated package diagram spec 51-85058 *C to 51-85058 *D Updated package diagram spec 001-51695 *B to 001-51695 *C |

Not recommended for new designs. In production to support ongoing production programs only.

Sales, Solutions, and Legal Information

Worldwide Sales and Design Support

Cypress maintains a worldwide network of offices, solution centers, manufacturer’s representatives, and distributors. To find the office closest to you, visit us at [Cypress Locations](#).

Products

| | |
|--------------------------|--|
| Automotive | cypress.com/go/automotive |
| Clocks & Buffers | cypress.com/go/clocks |
| Interface | cypress.com/go/interface |
| Lighting & Power Control | cypress.com/go/powerpsoc cypress.com/go/plc |
| Memory | cypress.com/go/memory |
| Optical & Image Sensing | cypress.com/go/image |
| PSoC | cypress.com/go/psoc |
| Touch Sensing | cypress.com/go/touch |
| USB Controllers | cypress.com/go/USB |
| Wireless/RF | cypress.com/go/wireless |

PSoC Solutions

psoc.cypress.com/solutions
PSoC 1 | PSoC 3 | PSoC 5

© Cypress Semiconductor Corporation, 2009-2015. The information contained herein is subject to change without notice. Cypress Semiconductor Corporation assumes no responsibility for the use of any circuitry other than circuitry embodied in a Cypress product. Nor does it convey or imply any license under patent or other rights. Cypress products are not warranted nor intended to be used for medical, life support, life saving, critical control or safety applications, unless pursuant to an express written agreement with Cypress. Furthermore, Cypress does not authorize its products for use as critical components in life-support systems where a malfunction or failure may reasonably be expected to result in significant injury to the user. The inclusion of Cypress products in life-support systems application implies that the manufacturer assumes all risk of such use and in doing so indemnifies Cypress against all charges.

Any Source Code (software and/or firmware) is owned by Cypress Semiconductor Corporation (Cypress) and is protected by and subject to worldwide patent protection (United States and foreign), United States copyright laws and international treaty provisions. Cypress hereby grants to licensee a personal, non-exclusive, non-transferable license to copy, use, modify, create derivative works of, and compile the Cypress Source Code and derivative works for the sole purpose of creating custom software and or firmware in support of licensee product to be used only in conjunction with a Cypress integrated circuit as specified in the applicable agreement. Any reproduction, modification, translation, compilation, or representation of this Source Code except as specified above is prohibited without the express written permission of Cypress.

Disclaimer: CYPRESS MAKES NO WARRANTY OF ANY KIND, EXPRESS OR IMPLIED, WITH REGARD TO THIS MATERIAL, INCLUDING, BUT NOT LIMITED TO, THE IMPLIED WARRANTIES OF MERCHANTABILITY AND FITNESS FOR A PARTICULAR PURPOSE. Cypress reserves the right to make changes without further notice to the materials described herein. Cypress does not assume any liability arising out of the application or use of any product or circuit described herein. Cypress does not authorize its products for use as critical components in life-support systems where a malfunction or failure may reasonably be expected to result in significant injury to the user. The inclusion of Cypress’ product in a life-support systems application implies that the manufacturer assumes all risk of such use and in doing so indemnifies Cypress against all charges.

Use may be limited by and subject to the applicable Cypress software license agreement.

X-ON Electronics

Largest Supplier of Electrical and Electronic Components

Click to view similar products for [NVRAM](#) category:

Click to view products by [Cypress](#) manufacturer:

Other Similar products are found below :

[CY14B256LA-SP25XIT](#) [CY14B512PA-SFXI](#) [CY14E101Q2A-SXI](#) [CY14MB064J2A-SXI](#) [CY14B064PA-SFXI](#) [CY14B101LA-SP45XIT](#)
[CY14B104NA-ZSP45XI](#) [CY14B104LA-BA25XI](#) [CY14B104NA-BA25XI](#) [CY14B256LA-SP45XIT](#) [CY14B104LA-ZS45XI](#) [CY14B104NA-](#)
[BA45XI](#) [CY14B104NA-ZS20XI](#) [CY14B256LA-ZS25XIT](#) [CY14MB064Q2A-SXQ](#) [CY14ME064Q2A-SXQ](#) [CY14V101NA-BA45XI](#)
[145391G](#) [CY14E101J2-SXI](#) [CY14B101PA-SFXIT](#) [CY14B116L-ZS25XI](#) [CY14B116M-ZSP25XI](#) [CY14V116N-BZ30XI](#) [CY14B116N-Z30XI](#)
[CY14E256Q5A-SXQ](#) [CY14B116S-BZ25XI](#) [CY14E116L-ZS25XI](#) [CY14B116N-Z45XI](#) [CY14V104NA-BA25XI](#) [CY14B101LA-BA25XI](#)
[CY14B101Q3-SFXI](#) [CY14B104NA-BA45XE](#) [CY14B116N-ZSP25XI](#) [CY14B116N-BZ25XI](#) [CY14B104NA-ZS45XIT](#) [CY14V101LA-](#)
[BA25XI](#) [CG7299AT](#) [CY14V101Q3-SFXI](#) [CY14B101J2-SXI](#) [BQ4010LYMA-70N](#) [DS1330WP-150+](#) [DS1265Y-70](#) [DS1265W-100IND+](#)
[DS1250Y-100IND+](#) [DS1250ABP-100+](#) [DS1250AB-70+](#) [DS1250AB-100](#) [DS1245WP-150+](#) [DS1245WP-100](#) [DS1220AD-200IND+](#)