

UNLESS OTHERWISE SPECIFIED, DIMENSIONS ARE IN METRIC AND TOLERANCES ARE:
 ±0.5mm ±0.1mm ±0.2mm ±0.3mm
 ANGLES 30° ±120mm ±1.0mm

NOTICE - These drawings, specifications, or other data (1) are, and remain the property of Amphenol Corp. (2) must be returned upon request; and (3) are confidential and not to be disclosed to any person other than those to whom they are given by Amphenol Corp., the finishing of these drawings, specifications, or other data by Amphenol Corp., or to any other person for any purpose is not to be regarded by implication or otherwise in any manner licensing, granting rights, or permitting such holder or other person to manufacture, use or sell any product, process of design, pattern or otherwise, that may in any way be related to or disclosed by said drawings, specifications, or other data.

REFERENCE: G-1, P/N 468216 GEN# ASSY-G1-BOARD

ENGINEER: JASON DATE: 23-Aug-10
 F.ORBETA DATE: 12-Jan-99

APPROVED: SCOTT.H DATE: 23-Aug-10

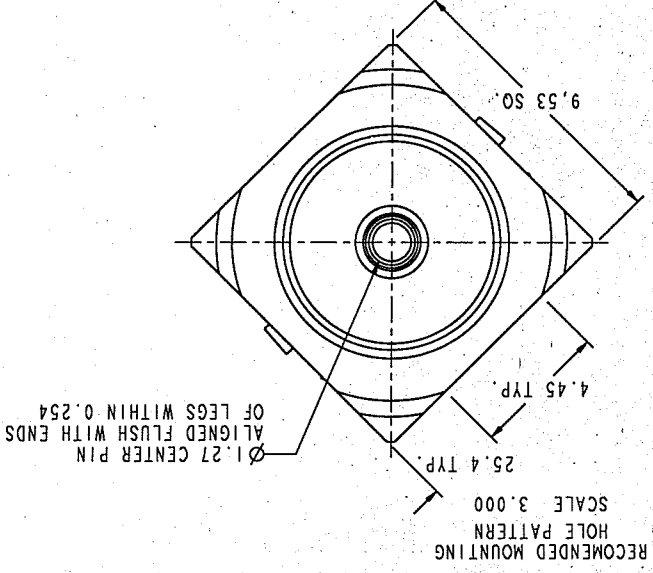
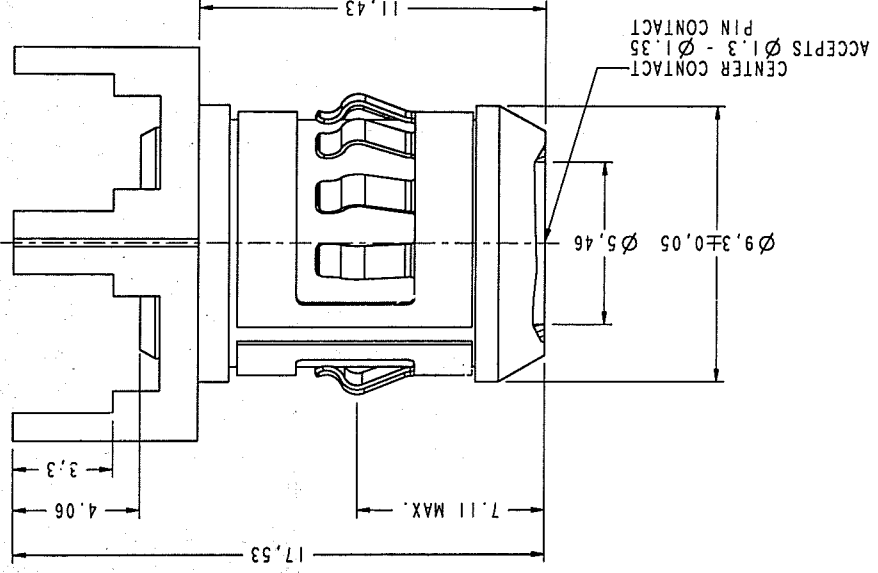
CAD FILE: I:\CATTY\F8 G\531-40070

TITLE: "G" JACK, PCB MOUNT, .052" MATING PLUG

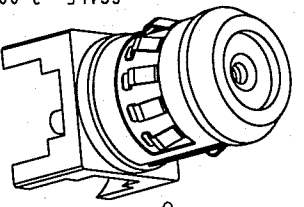
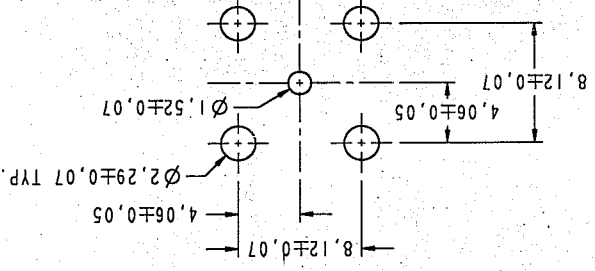
Amphenol RF
 Danbury CT USA, Taiwan, Shenzhen, China
 www.amphenolrf.com

DRAWING NO. 531-40070
 ITEM NO. 531-40070
 PART NO. 531-40070

CUSTOMER OUTLINE DRAWING
 ALL OTHER SHEETS ARE FOR INTERNAL USE ONLY



- NOTES:
- MATERIALS AND FINISHES:
 - BODY - BRASS
 - CONTACT - B&Cu
 - SPRING CLIP - B&Cu
 - INSULATOR - PTFE
 - PHYSICAL:
 - OPERATING TEMPERATURE = -40°C to +105°C
 - DURABILITY = 150 MATING CYCLES MINIMUM
 - INSERTION/WITHDRAWAL FORCES = 1.0 LB. MIN. TO 8.0 LB. MAX. WHEN TESTED IN A Ø9.78±0.05 BORE
 - ELECTRICAL:
 - RETURN LOSS = 28 dB MINIMUM FROM DC TO 1.2 GHz
 - INSERTION LOSS = 0.10 dB MAXIMUM FROM DC TO 1.2 GHz
 - AC CURRENT RATING = 15 AMP CONTINUOUS, 24 AMPS FOR 2 HOURS
 - PEAK VOLTAGE RATING = 1,000 VAC, 50/60 HZ



REV	DESCRIPTION	DATE	ECO	APPR
A	RELEASE TO MFG	02-Sep-99	43102	FO
B	REVISED I.A.W. CUSTOMER SPECIFICATION	9/15/00	43231	BCG
C	SEE SHEET 1	7/11/01	43791	CPM
D	TRANSFERRED TO ARFA			

THIRD ANGLE PROJ.

REVISIONS

X-ON Electronics

Largest Supplier of Electrical and Electronic Components

Click to view similar products for [RF Connectors / Coaxial Connectors](#) category:

Click to view products by [Amphenol](#) manufacturer:

Other Similar products are found below :

[R125315120](#) [8915-1511-000](#) [89674-0827](#) [5916-1103-603](#) [0106-001-000](#) [6-0001-3](#) [6001-7071-019](#) [6002-7051-003](#) [6002-7551-202](#) [6059674-1](#) [619550-1](#) [630059-000](#) [M39012/25-0021](#) [M39012/79-3008](#) [M39030/3-01N](#) [M39030/3-03N](#) [M3933/25-36N](#) [6500-7071-046](#) [6501-1071-002](#) [M83723/72W2457N](#) [6769](#) [CX050L2AQ](#) [7002-1541-010](#) [7002-1572-002](#) [7003-1572-002](#) [7004-1512-000](#) [7009-1511-004](#) [7010-1511-000](#) [7029-1511-060](#) [7101-1541-010](#) [7101-1571-002](#) [7105-1521-002](#) [7145-1521-002](#) [7209-1511-011](#) [7210-1511-012](#) [7210-1511-015](#) [7210-1511-019](#) [7225-1512-050](#) [7242-1511-000](#) [73137-5015](#) [73251-0111](#) [73251-0672](#) [73276-1501](#) [73366-0013](#) [73404-2300](#) [73413-6080](#) [73415-5721](#) [7405-1521-005](#) [7405-1521-802](#) [7406-1521-005](#)