

**M85049/28**  
**EMI/RFI Strain-Relief Backshell**  
 for Superceded M83733/15

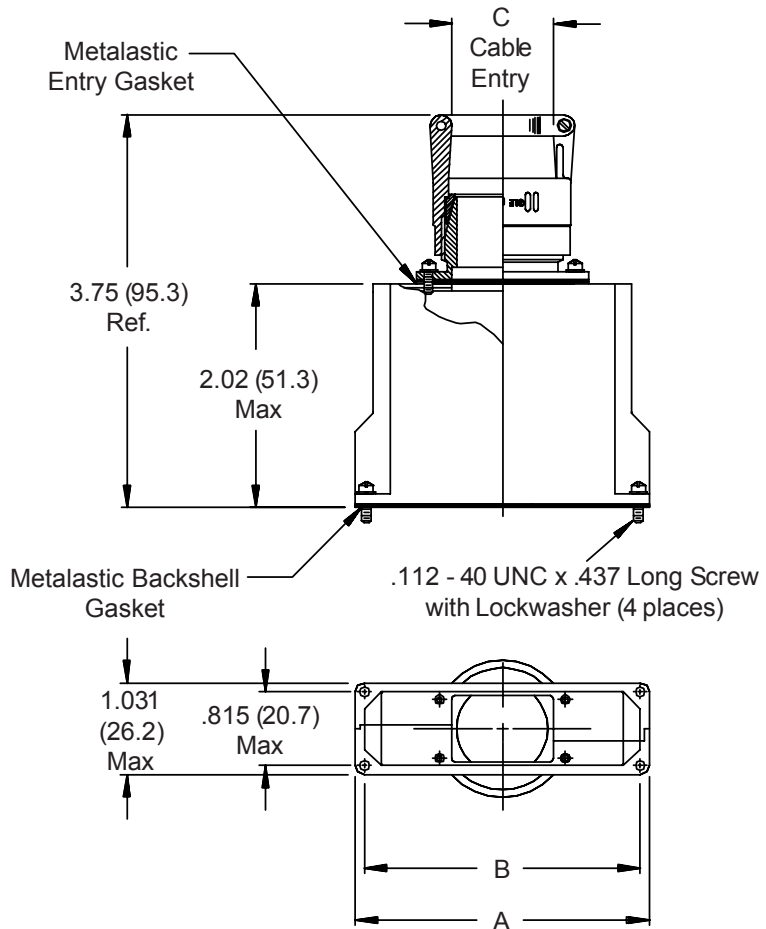


MIL-DTL-83733  
 Backshells

**M85049/28-2**  
 Basic Part No. \_\_\_\_\_  
 Dash No. \_\_\_\_\_

**Superceded Part Number**

**M83733/15-2**  
 Basic Part No. \_\_\_\_\_  
 Dash No. \_\_\_\_\_



Dash No.	A Max	B Max	C Cable Entry	
			Min	Max
1	2.126 (54.0)	1.900 (48.3)	.500 (12.7)	.625 (15.9)
2	2.126 (54.0)	1.900 (48.3)	.625 (15.9)	.750 (19.1)
3	3.426 (87.0)	3.200 (81.3)	.500 (12.7)	.625 (15.9)
4	3.426 (87.0)	3.200 (81.3)	.625 (15.9)	.750 (19.1)

1. For complete dimensions see applicable Military Specification.
2. Metric dimensions (mm) are indicated in parentheses.
3. Cable entry is defined as the accomodation range for the wire bundle or cable. Dimensions shown are not intended for inspection criteria.

## X-ON Electronics

Largest Supplier of Electrical and Electronic Components

*Click to view similar products for [Rectangular Mil Spec Connectors](#) category:*

*Click to view products by [Glenair](#) manufacturer:*

Other Similar products are found below :

[006-1169-16](#) [CSR31343-0001-00000](#) [CSR31346-0001-A0001](#) [CSR31899-0001-00000](#) [CSR31900-0001-A0001](#) [CTJ-3D-05](#) [CTS-S16/16](#)  
[M55302/57A36X](#) [M55302/58-A70Y](#) [65002-062](#) [65008-D08](#) [CY4602-000](#) [732-8020-01](#) [732-8021-02 B](#) [77058-22-55PN](#) [81542-20](#)  
[86.030.0053.0](#) [1241346-1](#) [RM252-020-311-2900](#) [DMC-M 08-16 SNE](#) [1589051-4](#) [BACC65CAMA](#) [BACC65CAMN](#) [BACC65CP1PN](#)  
[BACI10BC1220PN](#) [18023-9](#) [HSB-D4S03DM222X](#) [2217548-1](#) [891-009-15SA2-BRT1T](#) [SIM2S100A](#) [1604996-2](#) [SMD25PN90L-4055](#)  
[220A012-25225-0](#) [22628-10-6P-791](#) [CSR31343-0001-A0001](#) [CSR31899-0001-A0001](#) [CSR31900-0001-00000](#) [33526M11-08PD](#) [RE04-212S](#)  
[CTD160E01F-6148](#) [CTJ112E03B](#) [CTJ122E02D-8000](#) [CTJ-3D-12](#) [CTJ920E06N-513](#) [CTJ920E12N-513](#) [CTL-16-090](#) [CTR06-5100SY](#)  
[M55302/63A20H](#) [M55302/66-30H](#) [M81714/63-22S W/PLUGS INS](#)