

FULL SIZE DIP LOW VOLTAGE 3.3V CRYSTAL CLOCK OSCILLATOR



20.2 x 12.6 x 5.08 mm

ACOL Series



RoHS/RoHS II compliant

FEATURES:

- Tristate Enable/Disable option.
- Low supply voltage.
- HCMOS and TTL compatible.
- Tight symmetry option.

APPLICATIONS:

- Clock signal sources for digital chips and microprocessors.
- Low power applications.

STANDARD SPECIFICATIONS:

Parameters		Minimum	Typical	Maximum	Units	Notes
Frequency Range		0.320		200.000	MHz	
Operating Temperature		0		+70	°C	See options
Storage Temperature		-55		+125	°C	
Overall Frequency Stability		-100		+100	ppm	See options
Supply Voltage (Vdd)		2.97	3.3	3.63	V	
Input Current	320.000kHz ~ 24.000MHz			20	mA	
	24.001MHz ~ 49.999MHz			30		
	50.000MHz ~ 79.999MHz			45		
	80.000MHz ~ 200.000MHz			55		
Symmetry @ 1/2Vdd for HCMOS or @ 1.4Vdc for TTL	320.000kHz ~ 49.999MHz	45		55	%	See options
	50.000MHz ~ 200.000MHz	40		60		
Rise and Fall Time (Tr/Tf)	320.000kHz ~ 24.000MHz			10	ns	
	24.001MHz ~ 200.000MHz			5		
	24.001MHz ~ 200.000MHz (50pF output load)			10		
Output Load	32.000kHz ~ 79.999MHz			15	pF	See options
				10	TTL	
	80.000MHz ~ 200.000MHz			15	pF	
				5	TTL	
Output Voltage	VOH	0.9*Vdd			V	
	VOL			0.1*Vdd	V	
Tri-state Function (Option A)	VIH	2.2			V	"1" or Open: Oscillation
	VIL			0.8	V	"0": Output disable (Hi Z)
Output Enable time				4	ms	For option A only
Output Disable time				100	ns	For option A only
Startup Time				10	ms	

* Overall frequency stability includes initial tolerance and temperature stability.

FULL SIZE DIP LOW VOLTAGE 3.3V CRYSTAL CLOCK OSCILLATOR

ACOL Series



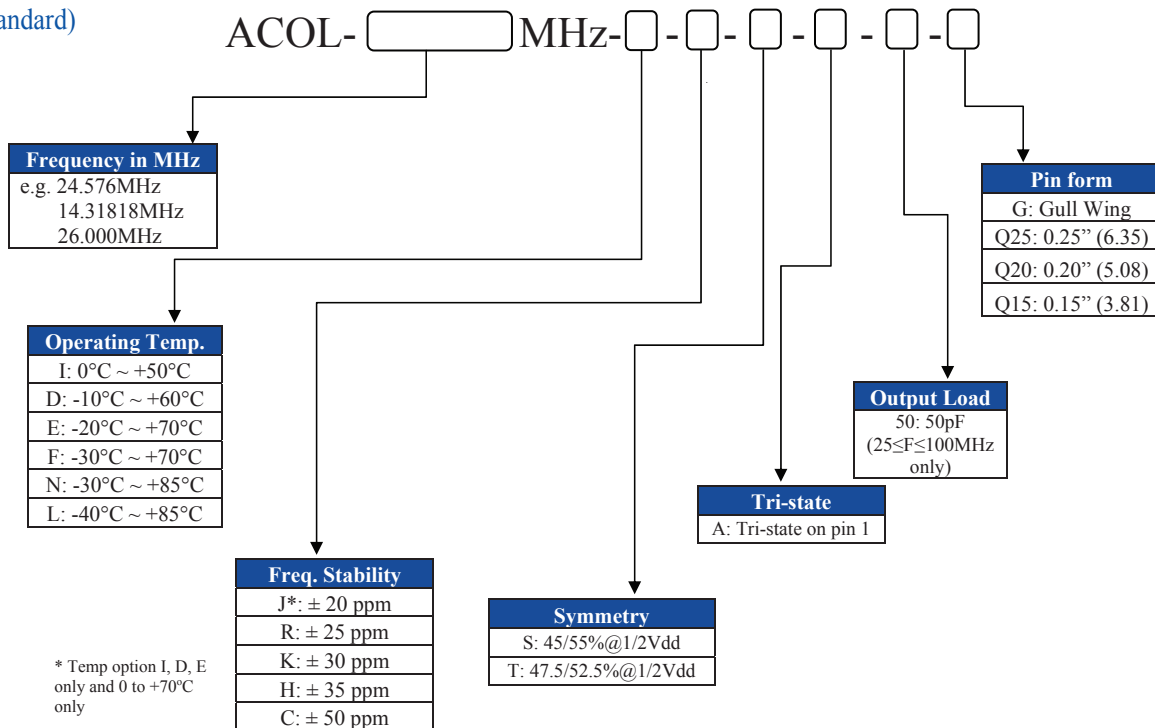
RoHS/RoHS II compliant



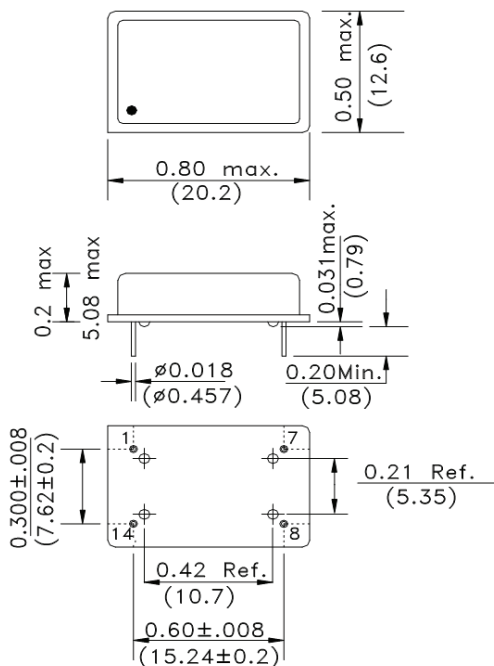
20.2 x 12.6 x 5.08 mm

OPTIONS & PART IDENTIFICATION:

(Left blank if standard)



OUTLINE DIMENSIONS:



Pin	Function
1	Tri-State/NC
7	GND
8	Output
14	Vdd

Note: Recommend using an approximately 0.01uF bypass capacitor between PIN 7 and 14.

Dimensions: inches (mm)

Packaging: 25pcs /tube

ATTENTION: Abracon Corporation's products are COTS – Commercial-Off-The-Shelf products; suitable for Commercial, Industrial and, where designated, Automotive Applications. Abracon's products are not specifically designed for Military, Aviation, Aerospace, Life-dependant Medical applications or any application requiring high reliability where component failure could result in loss of life and/or property. For applications requiring high reliability and/or presenting an extreme operating environment, written consent and authorization from Abracon Corporation is required. Please contact Abracon Corporation for more information.

ABRACON IS
ISO9001:2008
CERTIFIED



2 Faraday, Suite# B | Irvine | CA 92618 Revised: 09.25.15
Ph. 949.546.8000 | Fax. 949.546.8001
Visit www.abracon.com for Terms and Conditions of Sale

X-ON Electronics

Largest Supplier of Electrical and Electronic Components

Click to view similar products for [Standard Clock Oscillators](#) category:

Click to view products by [ABRACON](#) manufacturer:

Other Similar products are found below :

[EP1400SJTSC-125.000M](#) [601137](#) [601252](#) [CSX750FBC-24.000M-UT](#) [CSX750FBC-33.333M-UT](#) [CSX750FCC-3.6864M-UT](#) [F335-12](#) [F335-25](#) [DSC506-03FM2](#) [ASA-20.000MHZ-L-T](#) [ASA-25.000MHZ-L-T](#) [ASA-27.000MHZ-L-T](#) [ASV-20.000MHZ-LR-T](#) [ECS-2018-160-BN-TR](#) [EL13C7-H2F-125.00M](#) [MXO45HS-2C-66.6666MHZ](#) [SiT1602BI-22-33E-50.000000E](#) [SIT8003AC-11-33S-2.04800X](#) [SiT8256AC-23-33E-156.250000X](#) [SIT8918AA-11-33S-50.000000G](#) [SM4420TEV-40.0M-T1K](#) [SMA4306-TL-H](#) [F335-24](#) [F335-40](#) [F335-50](#) [F535L-10](#) [F535L-12](#) [F535L-16](#) [F535L-27](#) [F535L-48](#) [PE7744DW-100.0M](#) [CSX750FBC-20.000M-UT](#) [CSX-750FBC33333000T](#) [CSX750FBC-4.000M-UT](#) [CSX750FBC-7.3728M-UT](#) [CSX750FBC-8.000M-UT](#) [CSX-750FCC14745600T](#) [CSX750FCC-16.000M-UT](#) [CSX-750FCC40000000T](#) [CSX750FCC-4.000M-UT](#) [ASA-22.000MHZ-L-T](#) [ASA2-26.000MHZ-L-T](#) [ASA-40.000MHZ-L-T](#) [ASA-48.000MHZ-L-T](#) [ASA-60.000MHZ-L-T](#) [ASF1-3.686MHZ-N-K-S](#) [XO37CTECNA10M](#) [XO57CRECNA16M](#) [XO57CTECNA3M6864](#) [XO57CTECNA4M9152](#)