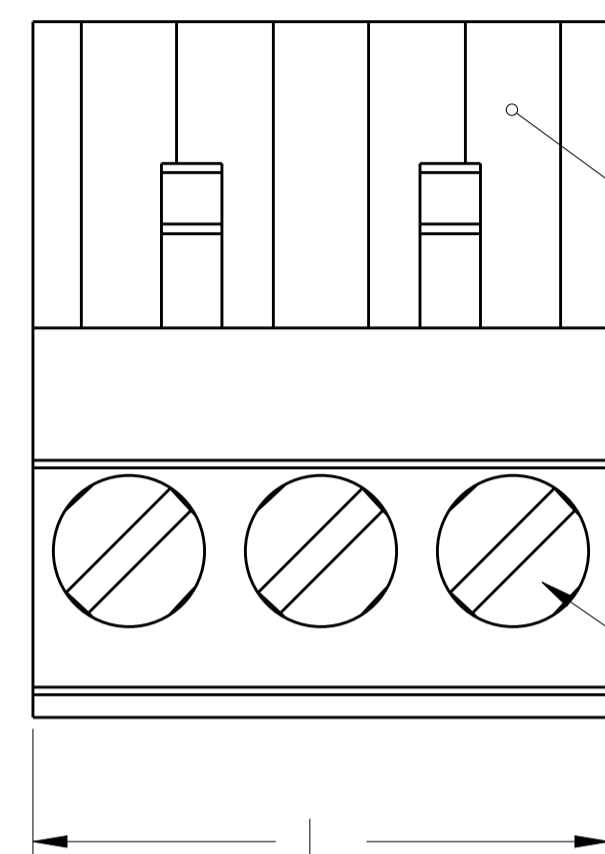
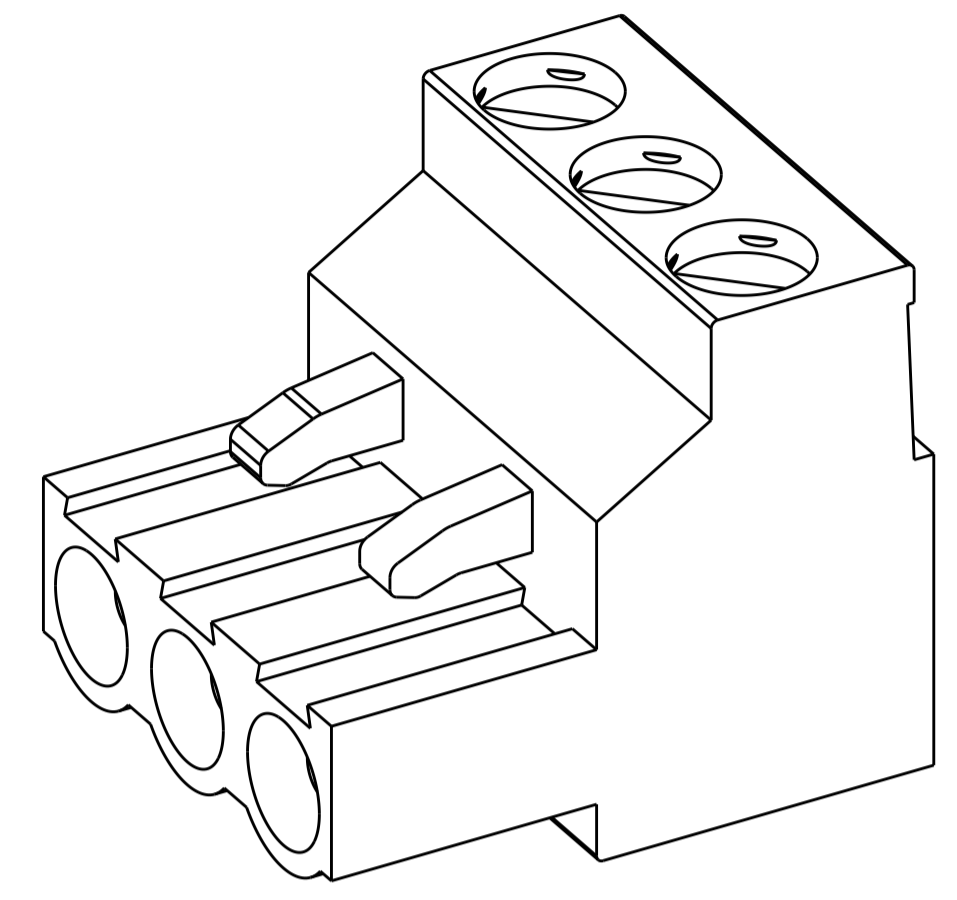


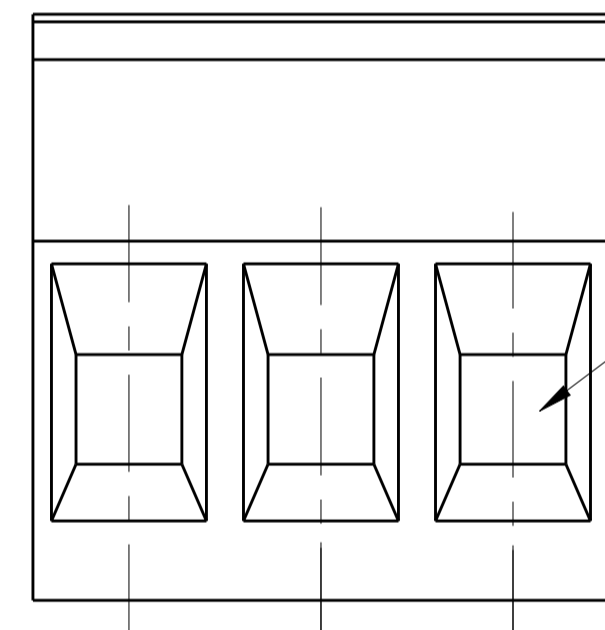
LOC	DIST	REV	DATE	BY	APPV
FT	0				



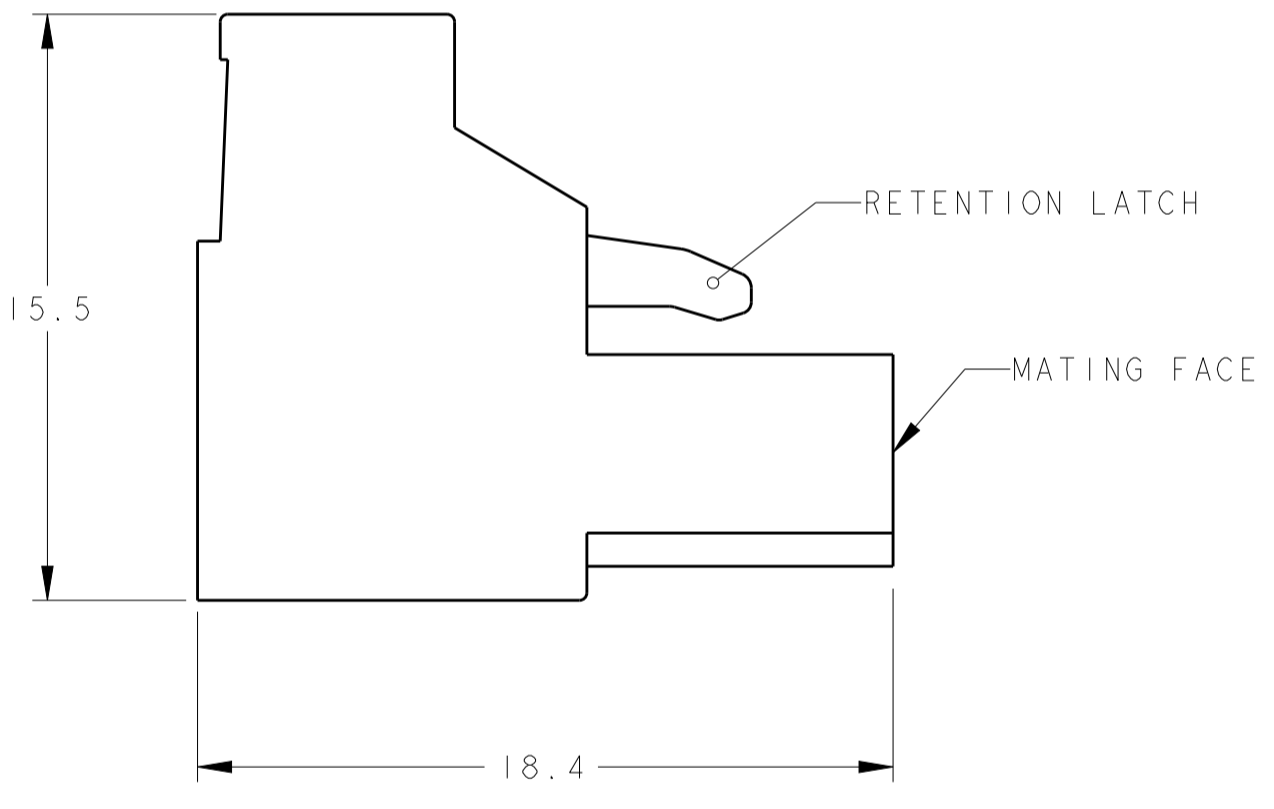
POLARIZATION KEY SLOT
 CLAMPING SCREW



796634-3 AS SHOWN



5.08 ± 0.08 TYP
 2.54 REF 2 PLC



RETENTION LATCH
 MATING FACE

- △ MATERIALS AND FINISH:
 HOUSING: PA 6-6, UL 94-V0, COLOR: GREEN.
 CLAMP: BRASS, PLATING: SEE TABLE.
 DOUBLE SIDE CONTACT SPRING: PHOSPHOR BRONZE, PLATING: SEE TABLE.
 CLAMPING SCREW: M3, BRASS, NICKEL PLATED.
- END-TO-END STACKABLE WITHOUT LOSS OF CENTERLINE SPACING.
 - WIRE SIZE RANGE: 12-30 AWG.
 - RECOGNIZED UNDER THE COMPONENT PROGRAM OF UNDERWRITERS LABORATORIES INC. FILE N° E60677.
 - IMQ CERTIFICATE WITH SURVEILLANCE IN CONFORMITY WITH IEC 998-1/998-2-1.
- △ NOT CUMULATIVE TOLERANCE
- △ INK MARKING, WHITE COLOR
- △ INK MARKING, BLACK COLOR
- △ NUMERICAL SEQUENCE: FROM LEFT TO RIGHT UNLESS OTHERWISE SPECIFIED.
- BUCHANAN LOGO TO APPEAR ON HOUSING, LOCATION OPTIONAL WHERE SPACE PERMITS.
 - SELECTIVELY LOADED IN POSITIONS 1,2,4,5,7,8.

REMOVE PIN 3	PRELIMINARY	MATERIAL	FINISH	MARKING	DETAIL	CLAMP	CONTACT	NO OF POSN	PART NUMBER
		NICKEL	TIN	△7 △9	DETAIL AB	86.36 ± 0.30	17	8-796634-4	
		NICKEL	TIN	-	-	25.40 ± 0.20	5	8-796634-3	
		NICKEL	0.76 μm AU	-	-	106.68 ± 0.35	21	8-796634-2	
		NICKEL	0.76 μm AU	-	-	86.36 ± 0.30	17	8-796634-1	
		NICKEL	0.76 μm AU	-	-	71.12	14	8-796634-0	
		NICKEL	0.76 μm AU	-	-	60.96	12	7-796634-9	
		NICKEL	0.76 μm AU	-	-	50.80	10	7-796634-8	
		NICKEL	0.76 μm AU	-	-	45.72	9	7-796634-7	
		NICKEL	0.76 μm AU	-	-	40.64	8	7-796634-6	
		NICKEL	0.76 μm AU	-	-	35.56 ± 0.20	7	7-796634-5	
		NICKEL	0.76 μm AU	-	-	30.48 ± 0.20	6	7-796634-4	
		NICKEL	0.76 μm AU	-	-	25.40 ± 0.20	5	7-796634-3	
		NICKEL	0.76 μm AU	-	-	20.32 ± 0.15	4	7-796634-2	
		NICKEL	0.76 μm AU	-	-	15.24 ± 0.15	3	7-796634-1	
		NICKEL	0.76 μm AU	-	-	10.16 ± 0.15	2	7-796634-0	
		NICKEL	TIN	-	△	40.64	8	6-796634-9	
		NICKEL	TIN	△7 △9	DETAIL Z	91.44 ± 0.30	18	6-796634-8	
		NICKEL	TIN	△7 △9	DETAIL Y	81.28 ± 0.30	16	6-796634-7	
		NICKEL	TIN	△7 △9	DETAIL X	15.24 ± 0.15	3	6-796634-6	
		NICKEL	TIN	△8 △9	DETAIL W	101.60 ± 0.35	20	6-796634-5	
		NICKEL	TIN	△7	DETAIL V	15.24 ± 0.15	3	6-796634-4	
		NICKEL	TIN	△7	DETAIL T	15.24 ± 0.15	3	6-796634-3	
		NICKEL	TIN	△7	DETAIL S	10.16 ± 0.15	2	6-796634-2	
		.000008 GOLD OVER NICKEL	.000008 GOLD OVER NICKEL	-	-	10.16 ± 0.15	2	5-796634-6	
		NICKEL	GOLD FLASH	-	-	25.40 ± 0.20	5	5-796634-5	
		NICKEL	GOLD FLASH	-	-	20.32 ± 0.15	4	5-796634-4	
		NICKEL	GOLD FLASH	-	-	10.16 ± 0.15	2	5-796634-2	
		NICKEL	TIN	△8	DETAIL P3	45.72	9	5-796634-1	
		NICKEL	TIN	△8	DETAIL P2	45.72	9	5-796634-0	
		NICKEL	TIN	△7 △9	DETAIL A-A	45.72	9	4-796634-9	
		NICKEL	TIN	△8	DETAIL PI	20.32 ± 0.15	4	4-796634-5	
		NICKEL	TIN	△7	DETAIL R	71.12	14	4-796634-4	
		NICKEL	TIN	△8 △9	DETAIL P	55.88	11	4-796634-2	
		NICKEL	TIN	△7 △9	DETAIL P	55.88	11	4-796634-1	
		NICKEL	TIN	△8	DETAIL N	35.56 ± 0.20	7	4-796634-0	
		NICKEL	TIN	△7 △9	DETAIL M	81.28 ± 0.30	16	3-796634-9	
		NICKEL	TIN	△8 △9	DETAIL K	81.28 ± 0.30	16	3-796634-8	
		NICKEL	TIN	△7 △9	DETAIL J	121.92 ± 0.35	24	3-796634-7	
		NICKEL	TIN	△8 △9	DETAIL H	121.92 ± 0.35	24	3-796634-6	
		NICKEL	TIN	△7 △9	DETAIL G	121.92 ± 0.35	24	3-796634-5	
		NICKEL	TIN	△8 △9	DETAIL F	121.92 ± 0.35	24	3-796634-4	
		NICKEL	TIN	△7 △9	DETAIL E	50.80	10	2-796634-8	
		NICKEL	TIN	△7 △9	DETAIL D	40.64	8	2-796634-7	
		NICKEL	TIN	-	-	127.00 ± 0.35	25	2-796634-5	
		NICKEL	TIN	-	-	121.92 ± 0.35	24	2-796634-4	
		NICKEL	TIN	-	-	116.84 ± 0.35	23	2-796634-3	
		NICKEL	TIN	-	-	111.76 ± 0.35	22	2-796634-2	
		NICKEL	TIN	-	-	106.68 ± 0.35	21	2-796634-1	
		NICKEL	TIN	-	-	101.60 ± 0.35	20	2-796634-0	
		NICKEL	TIN	-	-	96.52 ± 0.35	19	1-796634-9	
		NICKEL	TIN	-	-	91.44 ± 0.30	18	1-796634-8	
		NICKEL	TIN	-	-	86.36 ± 0.30	17	1-796634-7	
		NICKEL	TIN	-	-	81.28 ± 0.30	16	1-796634-6	
		NICKEL	TIN	-	-	76.20 ± 0.30	15	1-796634-5	
		NICKEL	TIN	-	-	71.12	14	1-796634-4	
		NICKEL	TIN	-	-	66.04	13	1-796634-3	
		NICKEL	TIN	-	-	60.96	12	1-796634-2	
		NICKEL	TIN	-	-	55.88	11	1-796634-1	
		NICKEL	TIN	-	-	50.80	10	1-796634-0	
		NICKEL	TIN	-	-	45.72	9	796634-9	
		NICKEL	TIN	-	-	40.64	8	796634-8	
		NICKEL	TIN	-	-	35.56 ± 0.20	7	796634-7	
		NICKEL	TIN	-	-	30.48 ± 0.20	6	796634-6	
		NICKEL	TIN	-	-	25.40 ± 0.20	5	796634-5	
		NICKEL	TIN	-	-	20.32 ± 0.15	4	796634-4	
		NICKEL	TIN	-	-	15.24 ± 0.15	3	796634-3	
		NICKEL	TIN	-	-	10.16 ± 0.15	2	796634-2	
		CLAMP PLATING	CONTACT PLATING	MARKING	SPECIAL	L			

THIS DRAWING IS A CONTROLLED DOCUMENT. DWG: S.WELDON 18OCT2000
 CHK: D.BIEVENOUR 18OCT2000
 APVD: D.BIEVENOUR 18OCT2000

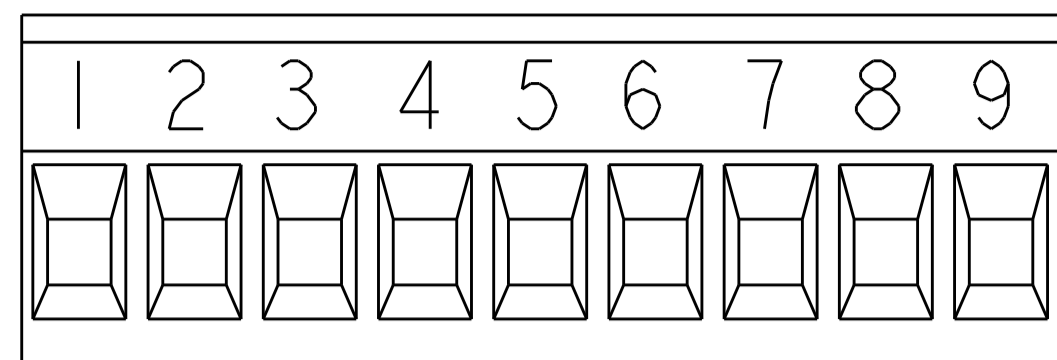
TE Connectivity

NAME: TERMINAL BLOCK, PLUG, STACKING, 5.08mm PITCH

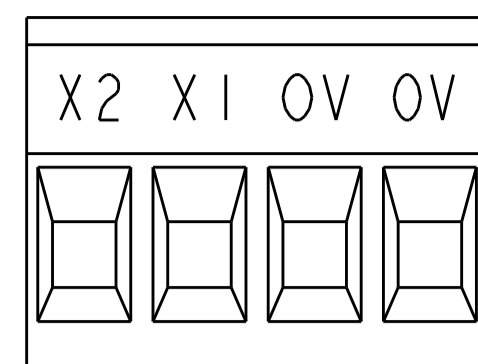
SIZE: A1 CAGE CODE: 796634 DRAWING NO: 796634 SHEET 1 OF 3

SCALE: 5:1

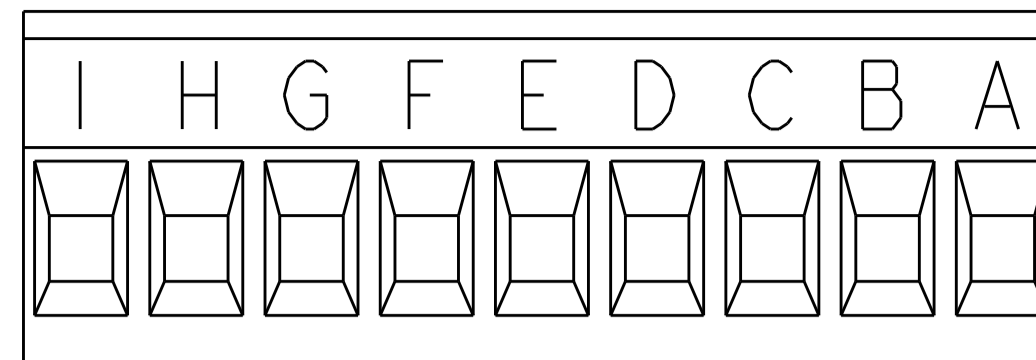
LOC	DIST	REVISIONS			
FT	0	REV	DATE	BY	APPV
		1			
		SEE SHEET 1			



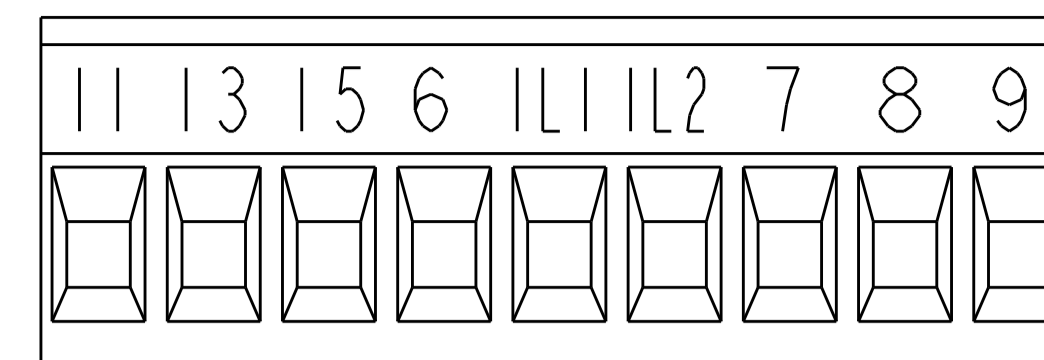
DETAIL A-A



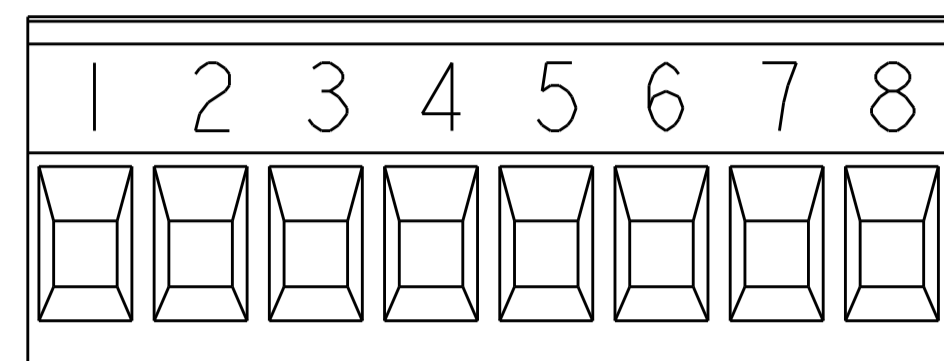
DETAIL P1



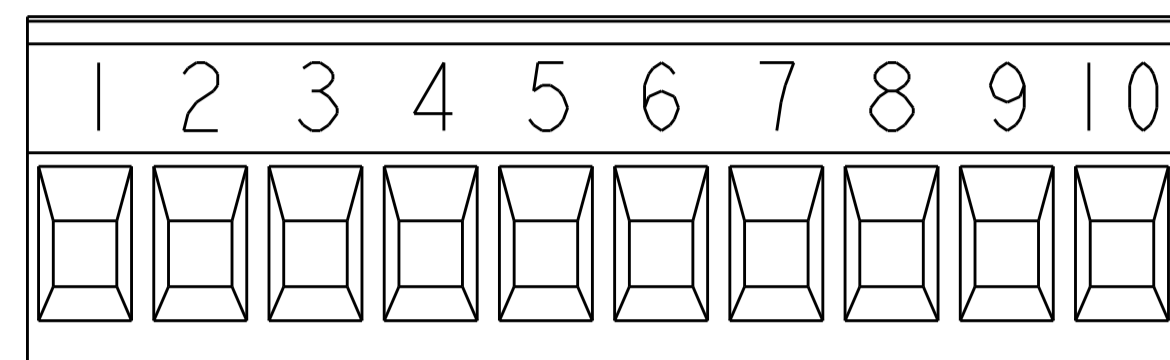
DETAIL P2



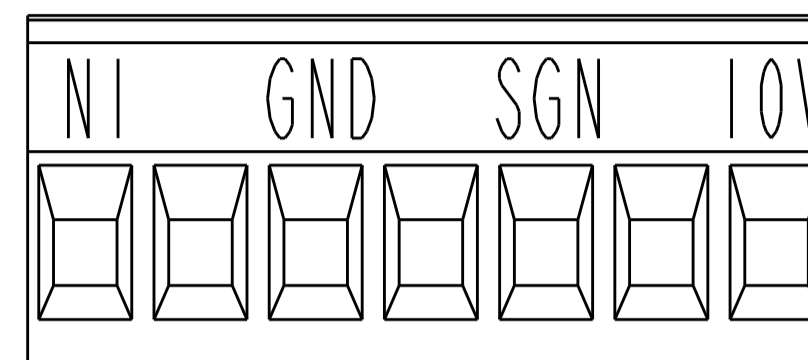
DETAIL P3



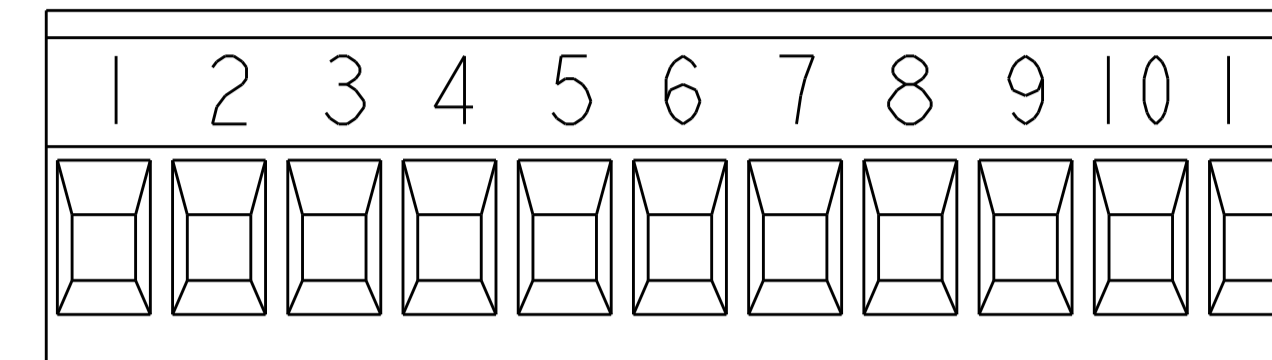
DETAIL D



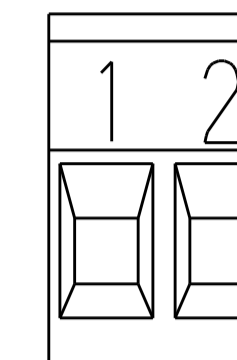
DETAIL E



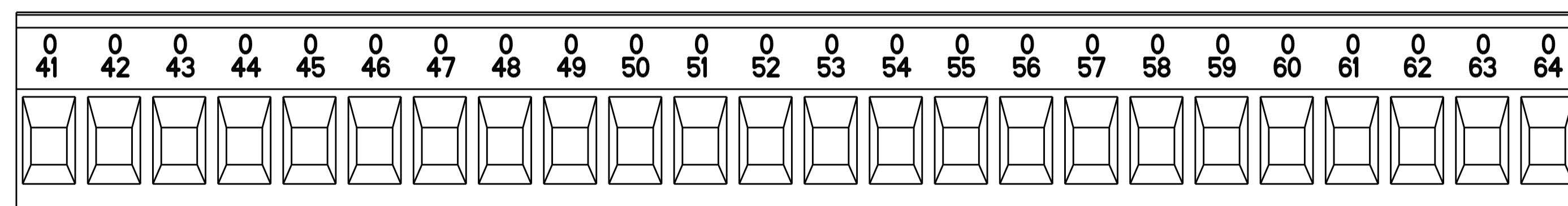
DETAIL N



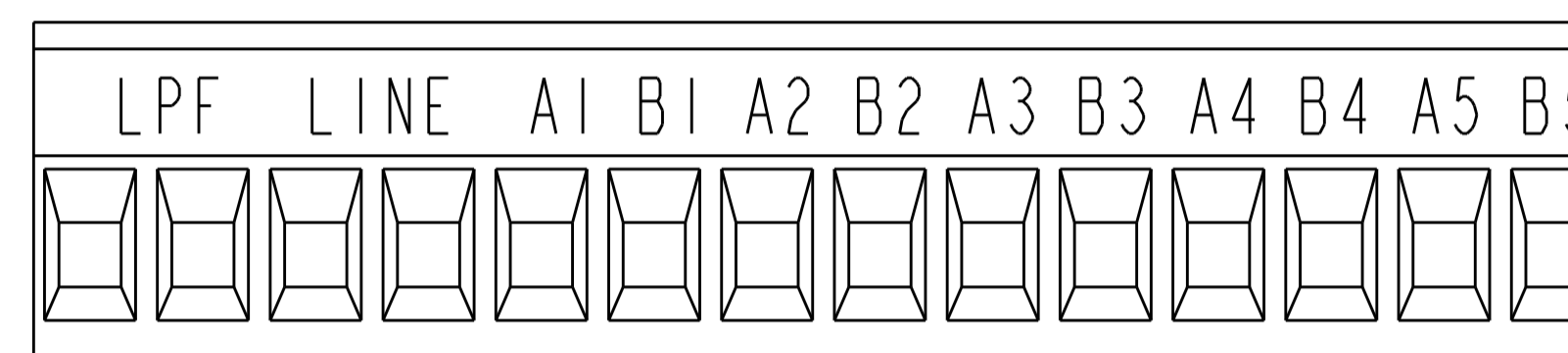
DETAIL P



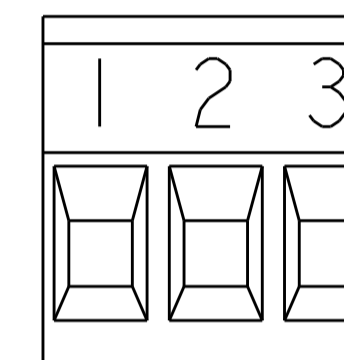
DETAIL S



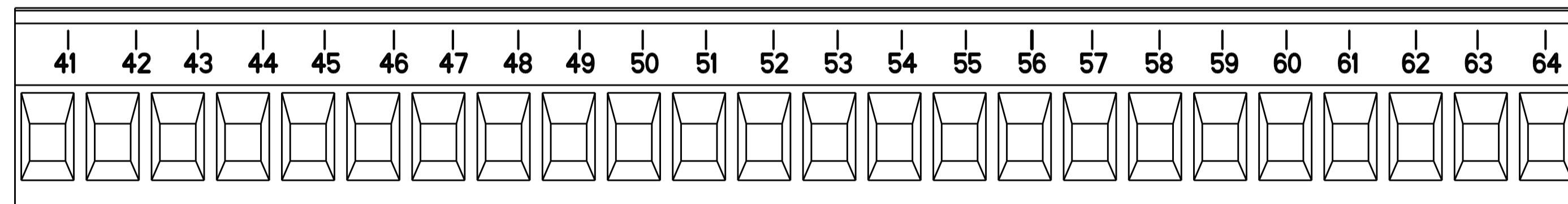
DETAIL F



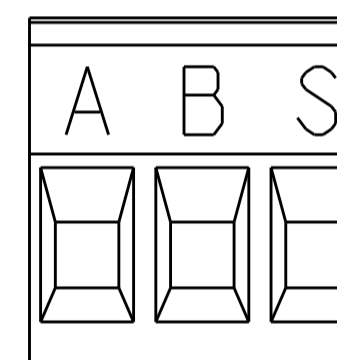
DETAIL R



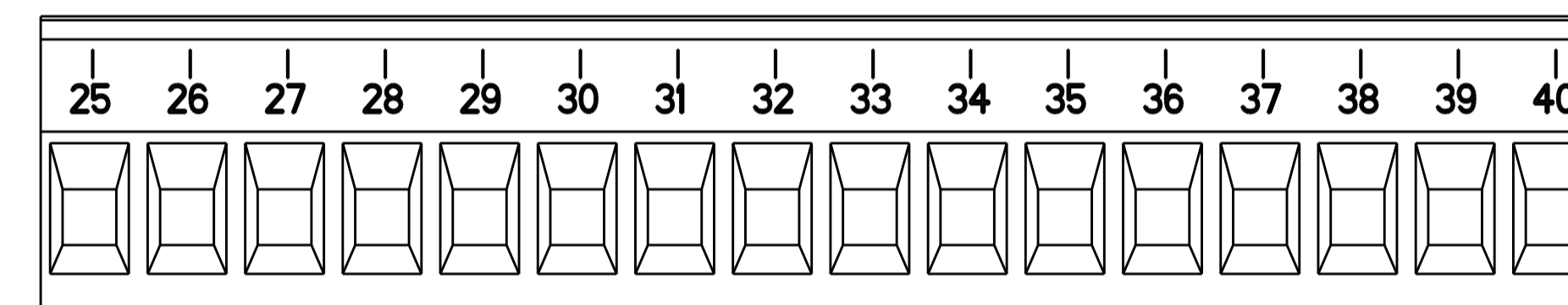
DETAIL T



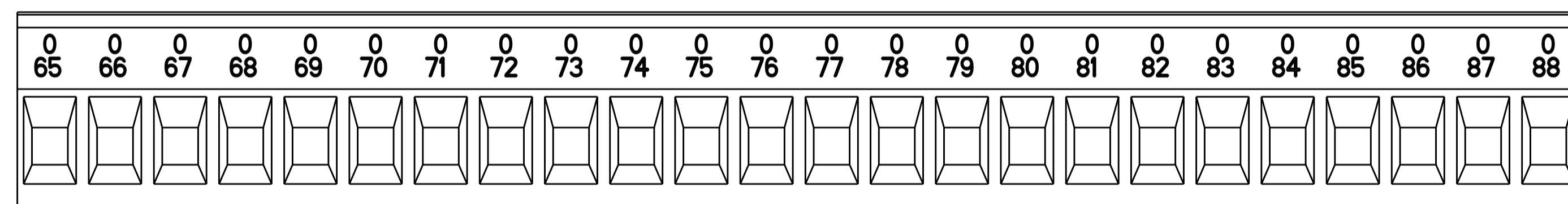
DETAIL G



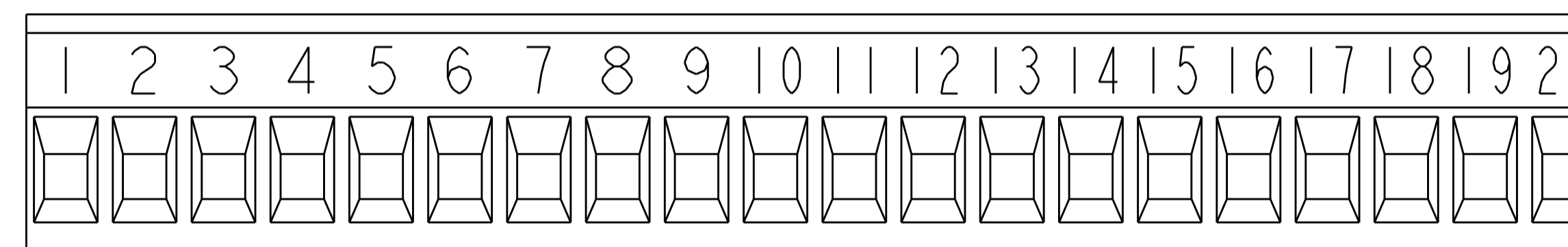
DETAIL V



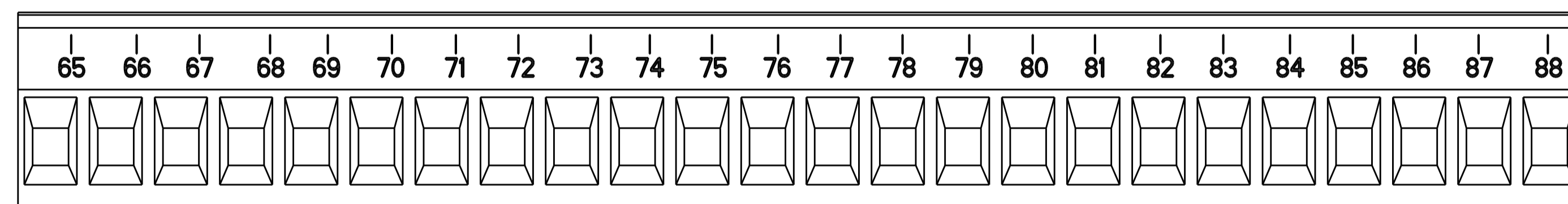
DETAIL M



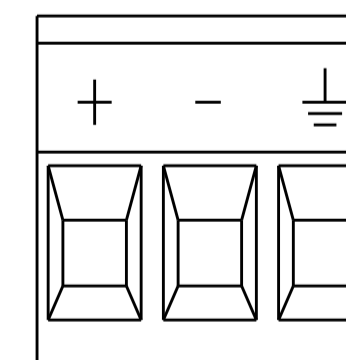
DETAIL H



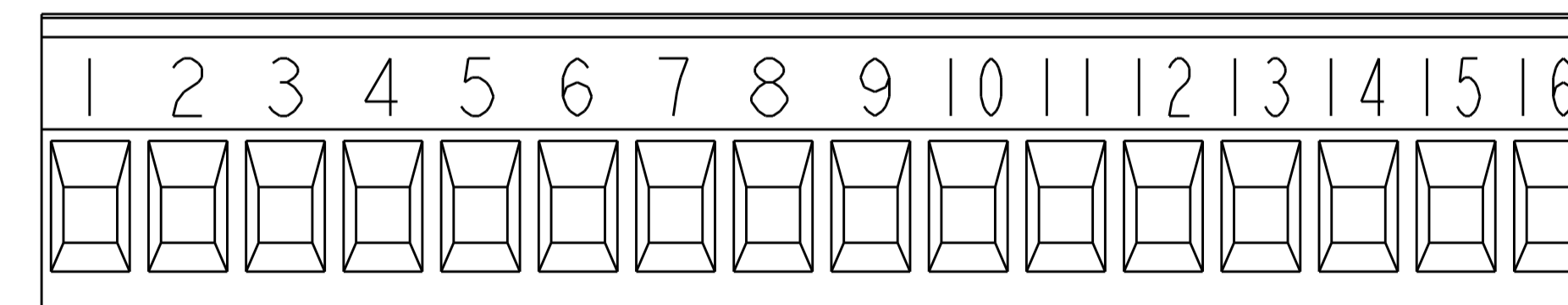
DETAIL W



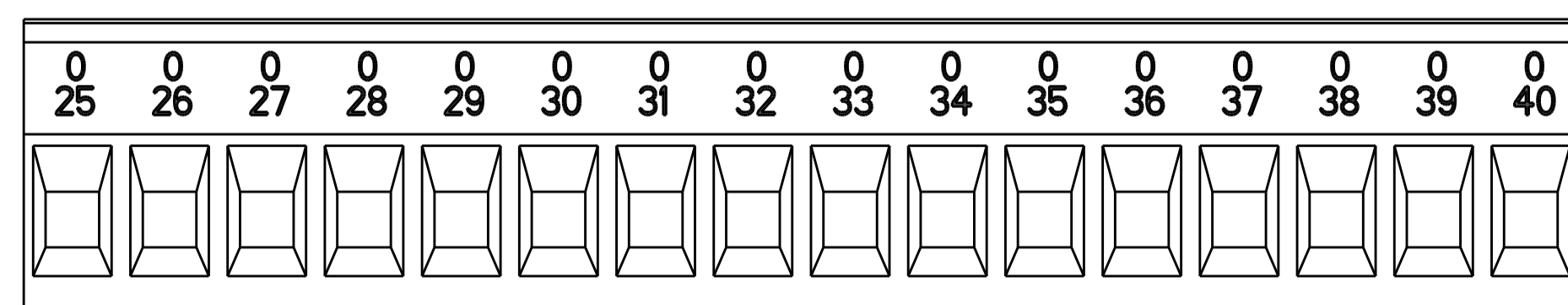
DETAIL J



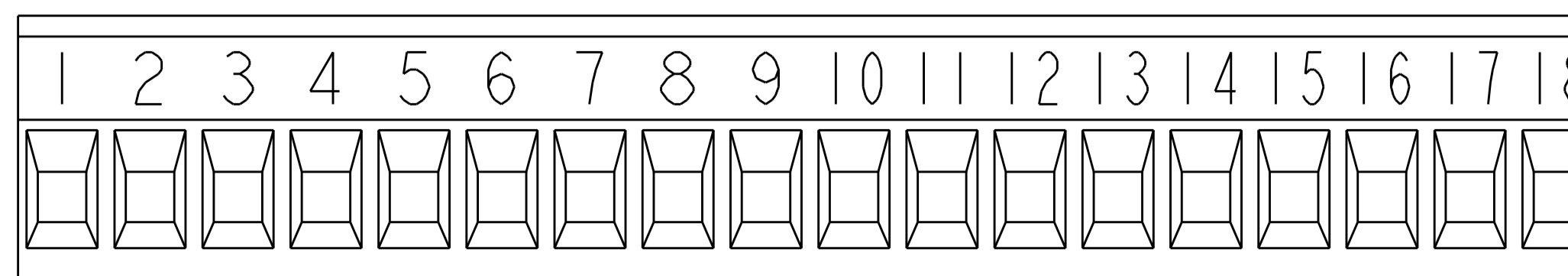
DETAIL X



DETAIL Y



DETAIL K

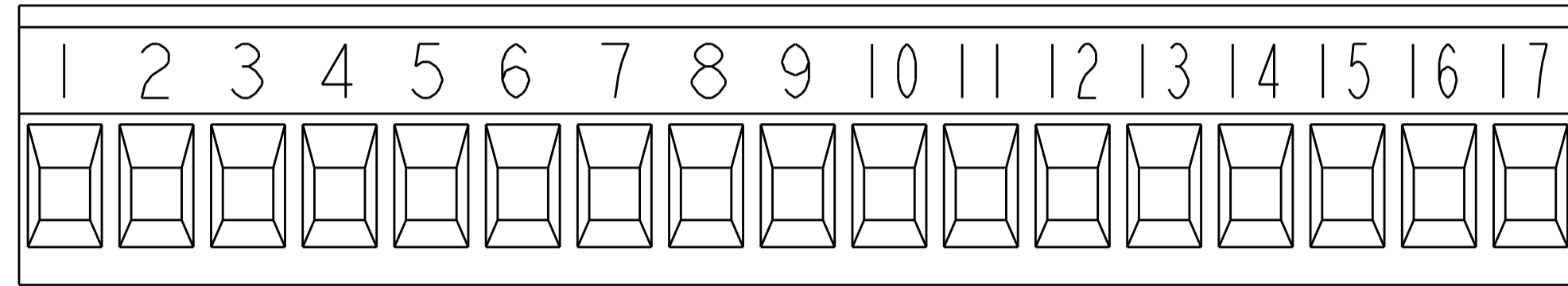


DETAIL Z

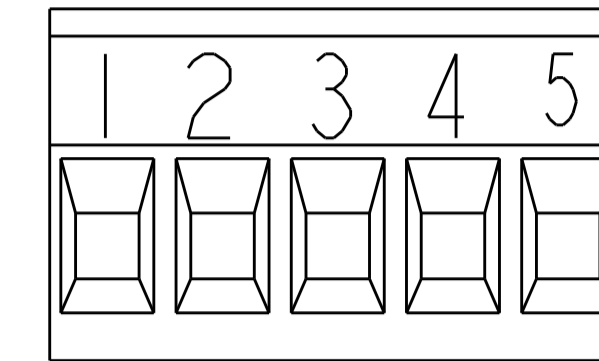
THIS DRAWING IS A CONTROLLED DOCUMENT.		OWN: S. WELDON 18OCT2000	 TE Connectivity
DIMENSIONS: mm		CHK: D. BIEVENOUR 18OCT2000	
TOLERANCES UNLESS OTHERWISE SPECIFIED:		APVD: D. BIEVENOUR 18OCT2000	NAME: TERMINAL BLOCK, PLUG, STACKING, 5.08mm PITCH
0 PLC ±0.3		PRODUCT SPEC:	SIZE: A100779
1 PLC ±0.25		APPLICATION SPEC:	CAGE CODE: 796634
2 PLC ±0.25		WEIGHT:	RESTRICTED TO:
3 PLC ±0.25		MATERIAL:	SCALE: 4:1
4 PLC ±0.25		FINISH:	SHEET 2 OF 3
ANGLES: ±0.5°		CUSTOMER DRAWING	REV: 1

THIS DRAWING IS UNPUBLISHED. RELEASED FOR PUBLICATION 20
 © COPYRIGHT 20 BY - ALL RIGHTS RESERVED.

LOC		DIST		REVISIONS			
FT	0	P	LTN	DESCRIPTION	DATE	DWN	APVD
-	-	-	-	SEE SHEET 1	-	-	-



DETAIL AB



DETAIL AC

PRELIMINARY	NICKEL CLAMP PLATING	TIN CONTACT PLATING	$\nabla_7 \nabla_9$ MARKING	DETAIL AC SPECIAL	25.40 L	5 NO OF POSN	8-796634-5 PART NUMBER
THIS DRAWING IS A CONTROLLED DOCUMENT.			DWN S. WELDON 18OCT2000 CHK D. BIEVENOUR 18OCT2000 APVD D. BIEVENOUR 18OCT2000	TE Connectivity NAME: TERMINAL BLOCK, PLUG, STACKING, 5.08mm PITCH PRODUCT SPEC: - APPLICATION SPEC: - SIZE: A100779C=796634 CAGE CODE: 796634 DRAWING NO: 796634 RESTRICTED TO: -			
DIMENSIONS: mm		TOLERANCES UNLESS OTHERWISE SPECIFIED:		MATERIAL: -			
		0 PLC ± 1 PLC ±0.3 2 PLC ±0.25 3 PLC ± 4 PLC ± ANGLES ±2° FINISH: -		WEIGHT: -			
CUSTOMER DRAWING			SCALE: 4:1		SHEET 3 OF 3		REV: 1

X-ON Electronics

Largest Supplier of Electrical and Electronic Components

Click to view similar products for [Pluggable Terminal Blocks](#) category:

Click to view products by [TE Connectivity](#) manufacturer:

Other Similar products are found below :

[57.404.7553](#) [57.504.0053.7](#) [57.510.0053](#) [57.910.6153](#) [01.112.1453](#) [CTB932VE/6](#) [MC 1.5/ 6-ST-3.5 GY AU](#) [ET02015000J0G](#) [734-104](#) [734-302](#) [734-304](#) [8-141-P](#) [FKCT 2.5/ 3-ST KMGY](#) [860505](#) [860508](#) [860516](#) [860810](#) [861908](#) [GBPACX-12](#) [93.731.4953.0](#) [PV05-5,08-K](#) [PVP02-5,00](#) [PVP04-3,50](#) [PVS02-5,00](#) [1-1986160-3](#) [H-10](#) [1546228-5](#) [ELFP03110](#) [ELVP03100](#) [ELXH03100](#) [ELXP041G0](#) [ELXT046G0](#) [1700101](#) [1700410](#) [1700425](#) [1703176](#) [1703243](#) [1705229](#) [1710175](#) [1714537](#) [1717806](#) [1719600](#) [1728941](#) [1729386](#) [1734692](#) [1734795](#) [1736036](#) [1740194](#) [1740291](#) [1740628](#)