

SMD VCTCXO

ASVTX-11-121-19.200MHz-T



3.2 X 2.5 X 0.9mm



RoHS/RoHS II compliant



ESD Sensitive

MSL = N/A

* No Last Time Buy*

Alternative is other ASVTX-11 series parts.

FEATURES:

- 3.2 x 2.5 x 0.9mm miniature package
- Low current consumption: 1.8mA max
- Vc function corresponds to PLL circuits
- Suitable for RoHS reflow profile

APPLICATIONS:

- Cellular and cordless phones
- Standard OSC for test equipment
- Mobile communication equipment
- Portable radio equipment and music player
- PLL

STANDARD SPECIFICATIONS:

Parameters		Minimum	Typical	Maximum	Units	Notes
Center Frequency		19.200			MHz	
Operating Temperature		-40		+85	°C	
Storage Temperature		-40		+85	°C	
Frequency Stability $\Delta f/f_0$ vs						
Tolerance (@+25°C) after reflow		-2.0		+2.0	ppm	@Vc = 2.0±0.2V
Temperature (ref. to +25°C)		-2.0		+2.0	ppm	
Supply Voltage Change (Vdd±5%)		-0.2		+0.2	ppm	
Load Change (ZL±10%)		-0.2		+0.2	ppm	
Supply Voltage (Vdd)		+3.135	+3.3	+3.465	V	
Aging (first year @+25°C)		-1.0		+1.0	ppm	
Supply Current (Icc)				1.8	mA	
Voltage Control Function	Control Voltage (Vc)	+1.0	+2.0	+3.0	Vdc	
	Frequency Tuning Range	±8			ppm	
	Frequency Tuning Transition	Positive				
	Input Impedance	500	650		kΩ	
Output	Voltage	0.8			Vp-p	
	Load	10kΩ//10pF				
	Waveform	Clipped Sine Wave				
Phase Noise			-135		dBc	@1kHz

SMD VCTCXO

ASVTX-11-121-19.200MHz-T



ESD Sensitive

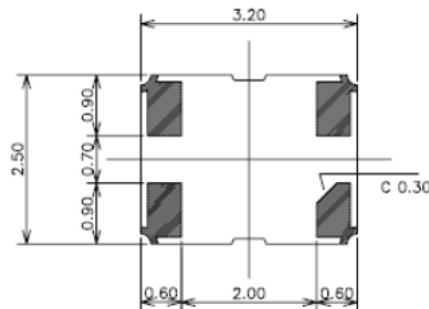
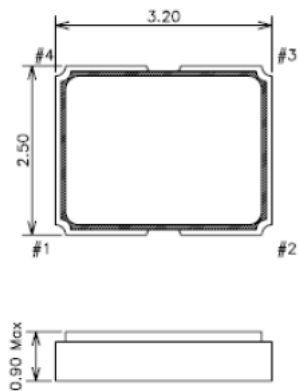


RoHS/RoHS II compliant

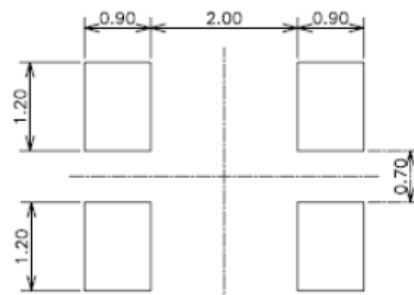


3.2 X 2.5 X 0.9mm

OUTLINE DIMENSION:



Recommended Land Pattern



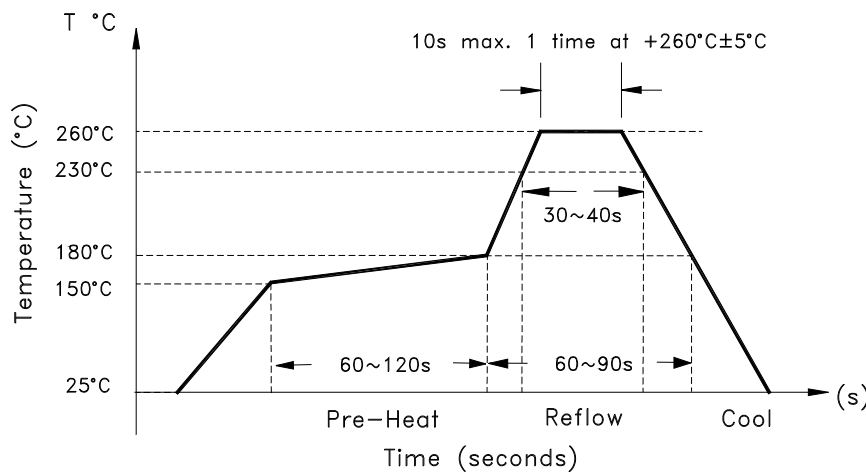
Pin	Function
1	Vc
2	GND
3	Output
4	Vdd

Note 1: It is not recommended that paths go underneath the oscillator. If needed, please use multi-layer PCB board or resist coating.

Note 2: Recommend using an approximately 0.01μF bypass capacitor between Pin 2 and 4.

Dimensions: mm

REFLOW PROFILE:



SMD VCTCXO

ASVTX-11-121-19.200MHz-T



ESD Sensitive



RoHS/RoHS II compliant

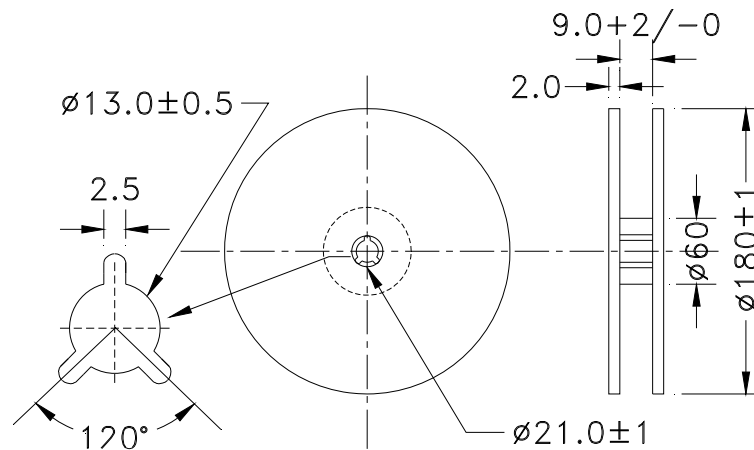
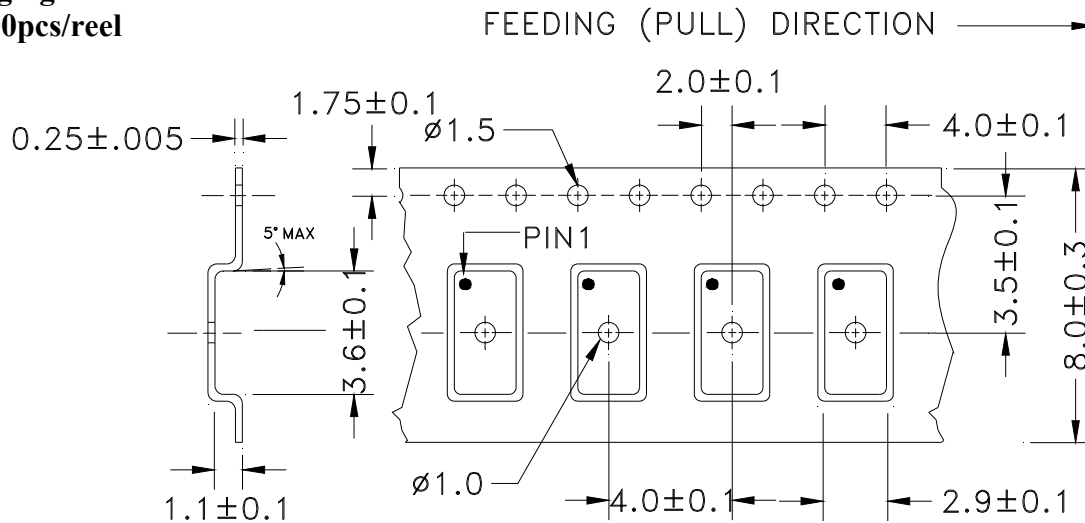


3.2 X 2.5 X 0.9mm

TAPE & REEL:

Packaging:

T: 2000pcs/reel



Dimensions: mm

ATTENTION: Abracon Corporation's products are COTS – Commercial-Off-The-Shelf products; suitable for Commercial, Industrial and, where designated, Automotive Applications. Abracon's products are not specifically designed for Military, Aviation, Aerospace, Life-dependant Medical applications or any application requiring high reliability where component failure could result in loss of life and/or property. For applications requiring high reliability and/or presenting an extreme operating environment, written consent and authorization from Abracon Corporation is required. Please contact Abracon Corporation for more information.

ABRACON IS
ISO9001:2008
CERTIFIED



2 Faraday, Suite# B | Irvine | CA 92618 **Revised: 10.19.15**

Ph. 949.546.8000 | Fax. 949.546.8001

Visit www.abracon.com for Terms and Conditions of Sale

X-ON Electronics

Largest Supplier of Electrical and Electronic Components

Click to view similar products for [TCVCXO Oscillators](#) category:

Click to view products by [ABRACON](#) manufacturer:

Other Similar products are found below :

[FOX923CH-19.20M](#) [TG-5006CG-12H 26.0000M3](#) [TG-5035CG-13N 19.2000M3](#) [SIT5000ACC8E-33VQ-19.200000X](#) [TG5032SGN](#)
[40.0000M-CBGHNAB](#) [LFTVXO022175Bulk](#) [KT7050A10000KAW33TAD](#) [MAOC-009266-PKG003](#) [ASVTX-09-19.200MHZ-T](#)
[SiT5000AICGE-33E0-25.000000X](#) [LFTVXO075674CUTT](#) [ASVTX-12-C-19.200MHz-I15-T](#) [LFTVXO076345CUTT](#) [LFTVXO075803Cutt](#)
[LFTVXO076348CUTT](#) [LFTVXO075802Cutt](#) [LFTVXO076344CUTT](#) [KT2016K27600ZAW18TCS](#) [LFTVXO076343CUTT](#)
[LFTVXO073010Cutt](#) [LFTVXO072344CUTT](#) [LFTVXO073008Cutt](#) [LFTVXO076347CUTT](#) [LFTVXO076349CUTT](#) [LFTVXO076194CUTT](#)
[ASVTX-09-20.000MHz-T](#) [KT1612A26000ACW28TAN](#) [LFTVXO009901BULK](#) [ASGTX-C-100.000MHz-1](#) [ASGTX-C-120.000MHz-1](#)
[ASGTX-D-100.000MHz-1](#) [ASGTX-D-1.000GHz-1](#) [ASGTX-D-125.000MHz-1](#) [ASGTX-D-1.2890625GHz-1](#) [ASGTX-D-500.000MHz-1](#)
[ASGTX-P-1.000GHz-1](#) [ASGTX-P-1.500GHz-1](#) [ASGTX-P-500.000MHz-2](#) [ASGTX-D-1.000GHZ-2](#) [ASVTX-09-14.400MHZ-T](#) [ASVTX-09-](#)
[16.000MHZ-T](#) [ASVTX-09-16.800MHZ-T](#) [ASVTX-11-A-38.400MHz-T](#) [ASVTX-12-A-19.200MHZ-H10-T](#) [ASVTX-12-D-16.369MHz-I05-T](#)
[ASVTX-12-D-19.200MHz-I05-T](#) [ASVTX-13-C-16.369MHz-I05-T](#) [ASVTX-13-C-19.200MHz-I05-T](#) [ASVTX-13-C-26.000MHz-I05-T](#)
[ASVTX-13-C-26.000MHz-I15-T](#)