

4600X Series

Tubeaxial

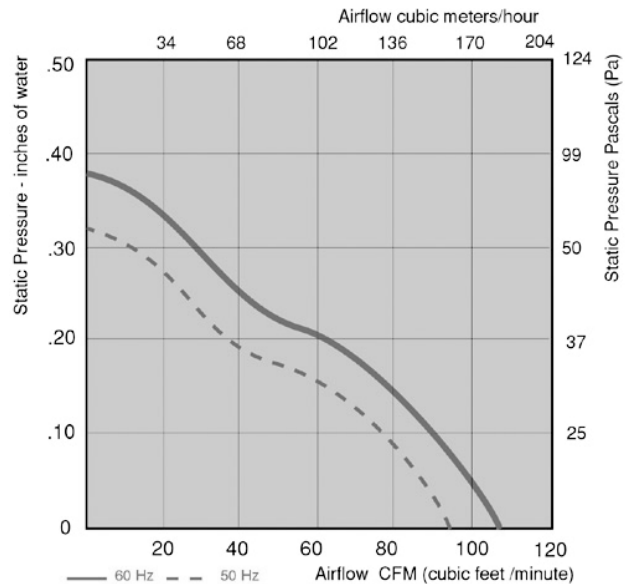
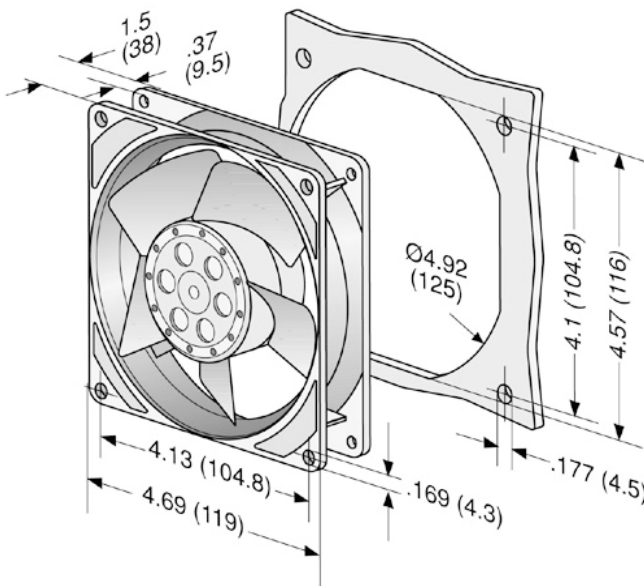
119x119x38mm



- AC fans with external rotor shaded-pole motor. Impedance protected against overloading.
- Metal fan housing and impeller.
- Air intake over struts. Rotational direction CW looking at rotor.
- Mounting from either face using four 4.3 mm holes.
- Electrical connection: Terminals with 2 flat pins 2.8 x 0.5 mm.
- Fan housing with ground lug for screw M4 and UNC.
- Mounting: Either face using four 3.7mm (.146") holes..
- UL, CSA, VDE approvals on some models, please contact application engineering.

Part Number	CFM @ 0	Curve	Volts	Hertz	Power (W)	dBa	Max Ambient Temp C	Wgt. (lbs)	Type Of Bearing	Features
4600X	106	2	115	50/60	18	50	60	1.19	Sintec	Terminals
4600XP	106	2	115	50/60	18	50	60	1.19	Sintec	Terminals
4606X	106	2	115	50/60	18	51	90	1.19	Ball	Terminals
4650X	106	2	230	50/60	18	50	60	1.19	Sintec	Terminals
4656X	106	2	230	50/60	18	51	90	1.19	Ball	Terminals

Note: 4600XP has a 5 year warranty.



X-ON Electronics

Largest Supplier of Electrical and Electronic Components

Click to view similar products for [ebm papst](#) manufacturer:

Other Similar products are found below :

[3312M](#) [4114N](#) [W1G200-EA95-68](#) [DV6248U](#) [6224NT](#) [M4Q045-CA03-75](#) [M4Q045-CF01-75](#) [M4Q045-DA05-01](#) [66788-4-7320](#) [D2E133-DM27-D8](#) [8314S](#) [G2E140-AL30-48](#) [A4D350-AN08-02](#) [A4E330-AP18-13](#) [R1G225-AG15-11](#) [R2D270-AB12-09](#) [R2E220-AB08-12](#) [R3G310-AL09-30](#) [R4E400-AP15-10](#) [REF100-11/14](#) [RG90-18/14N](#) [9496-2-4039-1](#) [95779-1-5171](#) [A2D240-AA02-10](#) [A2D250-AA06-52](#) [A2E300-AP02-01](#) [A4E300-AS72-01](#) [G2E120-FV56-16](#) [G2E160-AY47-57](#) [QR06A-2/106349](#) [R1G250-AQ21-52](#) [R1G250-AQ37-52](#) [R2E180CH0312](#) [R2E225-BD92-36](#) [R3G175-AF25-02](#) [LZ27](#) [REF100-11/12](#) [RG125-19/12N/2](#) [RH31M-6/104372](#) [RH56M-6/204689](#) [RLF100-11/18](#) [D2E097-BI56-48](#) [55416.30320](#) [3314U](#) [K3G097-AK34-43](#) [D4E180-BA02-02](#) [4112NHH](#) [412FH-132](#) [W2E200-CI38-01](#) [W2E300-CP02-37](#)