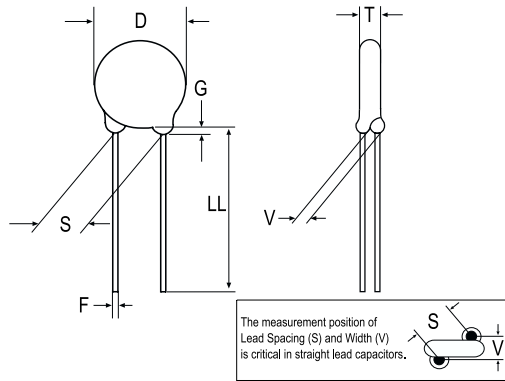


Capacitor, Ceramic, 4700 pF, +/-20% Tol, 440 V, Y5U, Lead Spacing=7.5 mm



Dimensions (mm)		
Symbol	Dimension	Tolerance
D	12	MAX
T	4.5	MAX
S	7.5	+0.8/-0.2
F	0.6	+/-0.05
G	3	MAX

Notes:

- Please See Bulletin For Taping Information
- H Dimension Refers to Seating Plane To Center Hole of Tape

General Information	
Supplier:	KEMET
Application:	Safety:X1/Y2
Approvals:	UL, CSA, ENEC
Temperature Coefficient:	Y5U
Body Type:	Radial Disc
Lead Form:	Wire Leads
Termination Type:	Tin (Sn)
RoHS:	Yes

Specifications	
Capacitance:	4700 pF
Voltage:	440 VAC (X1)
Voltage:	250 VAC (Y2)
Tolerance:	+/-20%
Temperature Range:	-40/+125C
Dissipation Factor:	2.5%
Insulation Resistance:	6 GOhm

Packaging Specifications	
Package Kind:	T&R
Package Type:	H = 18mm, Component Pitch = 12.7mm

## X-ON Electronics

Largest Supplier of Electrical and Electronic Components

*Click to view similar products for [Safety Capacitors](#) category:*

*Click to view products by [Kemet](#) manufacturer:*

Other Similar products are found below :

[46KI3470DQM1K](#) [46KR410000M1M](#) [46KI333050M1K](#) [46KN333000M1M](#) [46KN347000M1M](#) [46KR422000M1K](#)  
[DE1E3KX472MJ4BN01F](#) [ECQ-U2A224MLC](#) [04068](#) [46KF268000M1M](#) [46KI3150NDM2M](#) [MKPX2R-1/400/10P27](#)  
[YP102271K050B20C6P](#) [YP102391K050BAND5P](#) [YP501101K040BAND5P](#) [YP102681K060B20C6P](#) [YP501121K040B20C6P](#)  
[YP501471K040B20C6P](#) [YP501102K050HAND5P](#) [YP500101K040B20C2P](#) [BX4002J](#) [GX2003C](#) [GX3009C](#) [GX3010](#) [GX3024C](#) [GX3045](#)  
[GX3045C](#) [GX3047](#) [GX3053](#) [GX3074C](#) [GX3083C](#) [GX3085C](#) [GX4015](#) [GX4015C](#) [GX4017](#) [GX4017-Z](#) [GX4018](#) [GX4045C](#) [GX4053J](#)  
[GX4056C](#) [GX4070C](#) [GX4089](#) [GX4097C](#) [GX4100C](#) [GX4103J](#) [GX4115](#) [GX4115C](#) [GX4125C](#) [GX4128J](#) [GX4182](#)