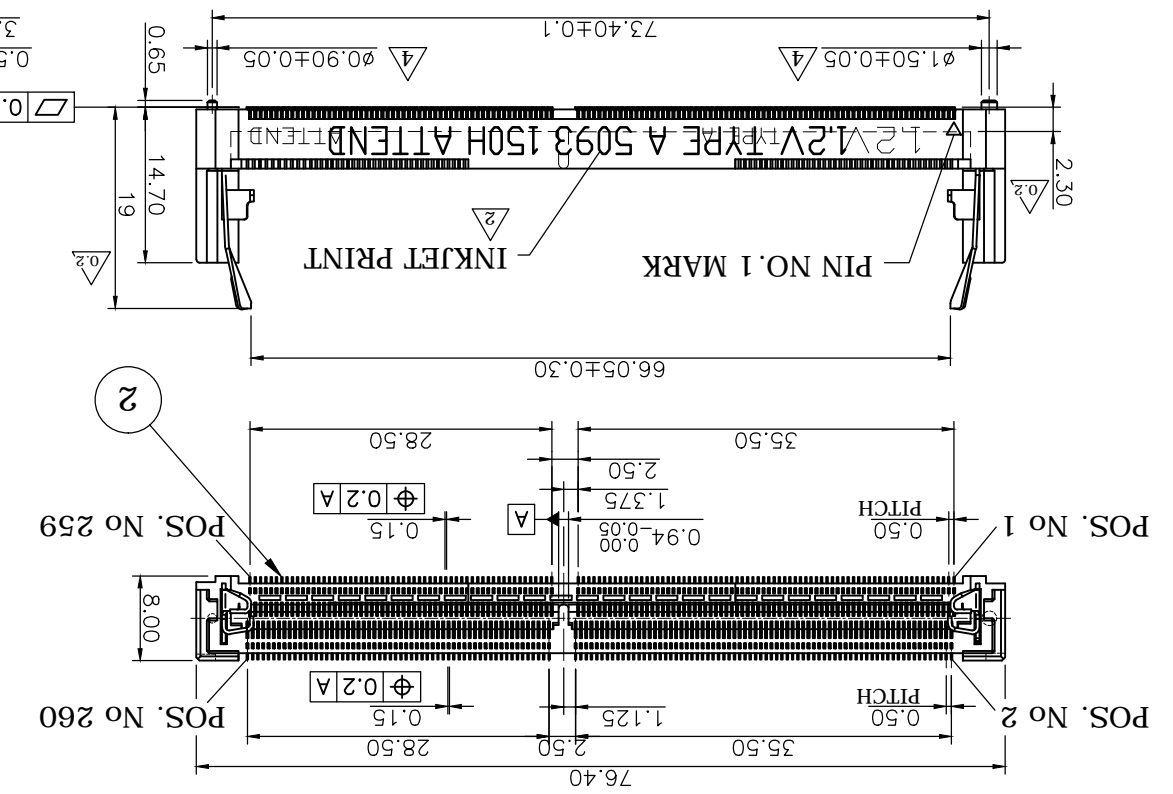
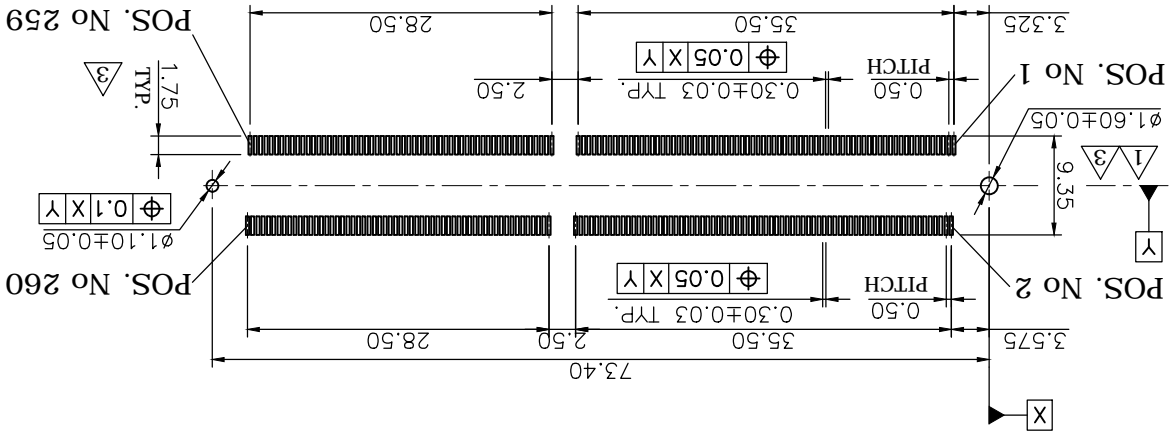
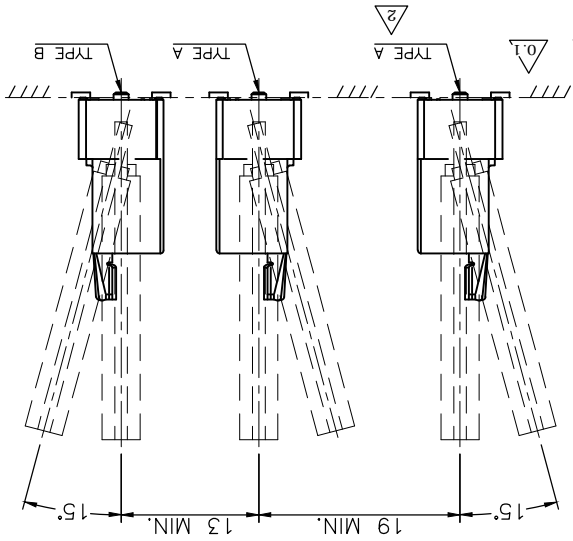


RECOMMEND LAYOUT (TOP VIEW)  
GENERAL TOLERANCE: ±0.10



RECOMMENDED SOCKET MOUNTING LAYOUT



OPERATING VOLTAGE  
PRINT: 1.2V TYPE A 5093 150H ATTEND  
DATE CODE: 5093 (YWW)  
Y : YEAR(2015)  
WW : WEEK (01-52)  
D : DAY (1-7)

REV.	DESCRIPTION	DRAWN	DATE
4	Revised Peg & Mylar dims.	FROS	2016/07/25
3	Revised layout 9.35 was 8.60	FROS	2016/05/30
2	Revised printing, misspelt word corrected	FROS	2016/01/18

NO.	PART NAME	DESCRIPTION
1	HOUSING	LCP, U194V-0, BLACK
2	CONTACT	PHOSPHOR BRONZE, GOLD FLASH
3	LATCH	STAINLESS STEEL

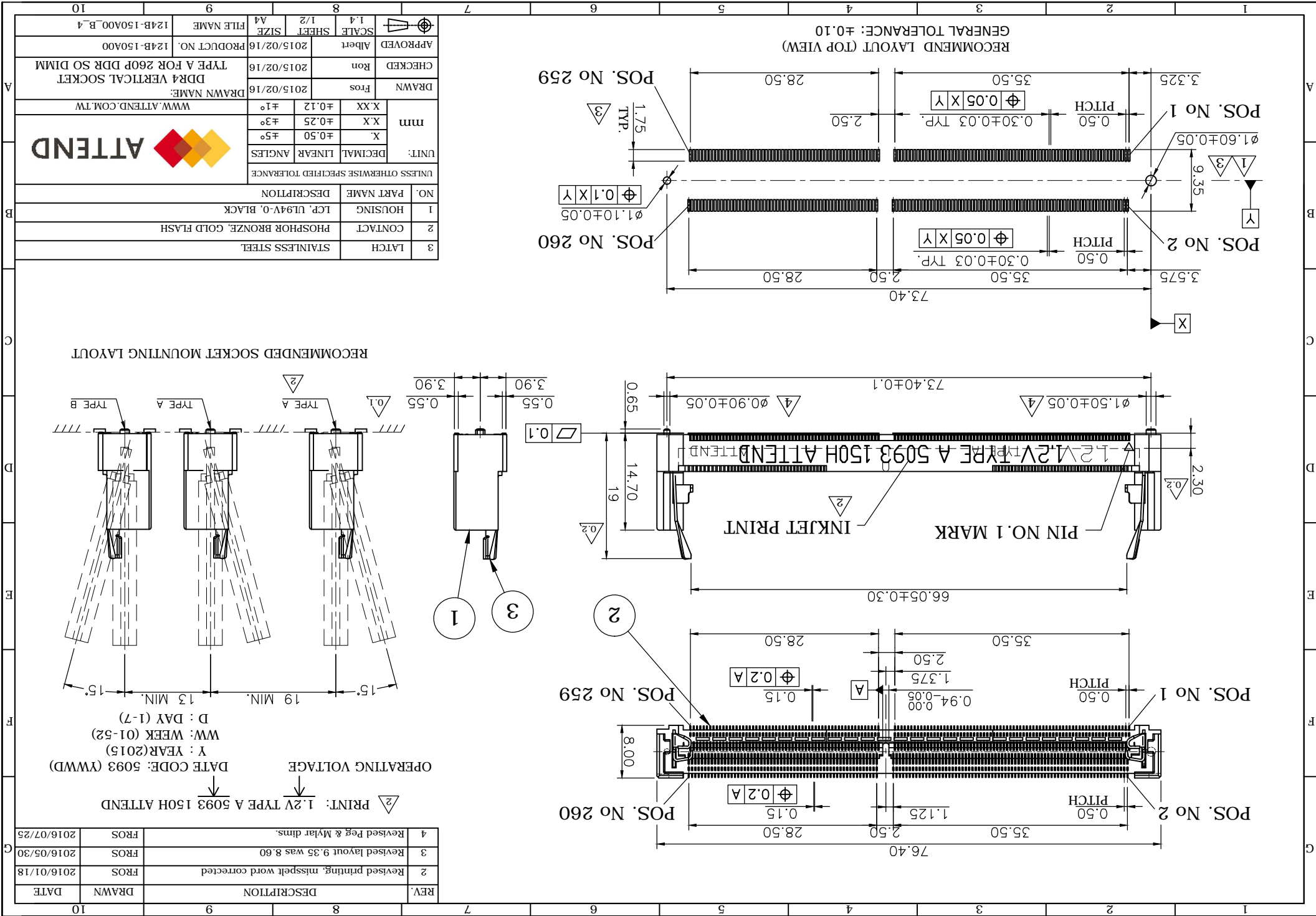
UNIT:	DECIMAL	LINEAR	ANGLES
mm	X	±0.50	±5°
	X.X	±0.25	±3°
	X.XX	±0.12	±1°

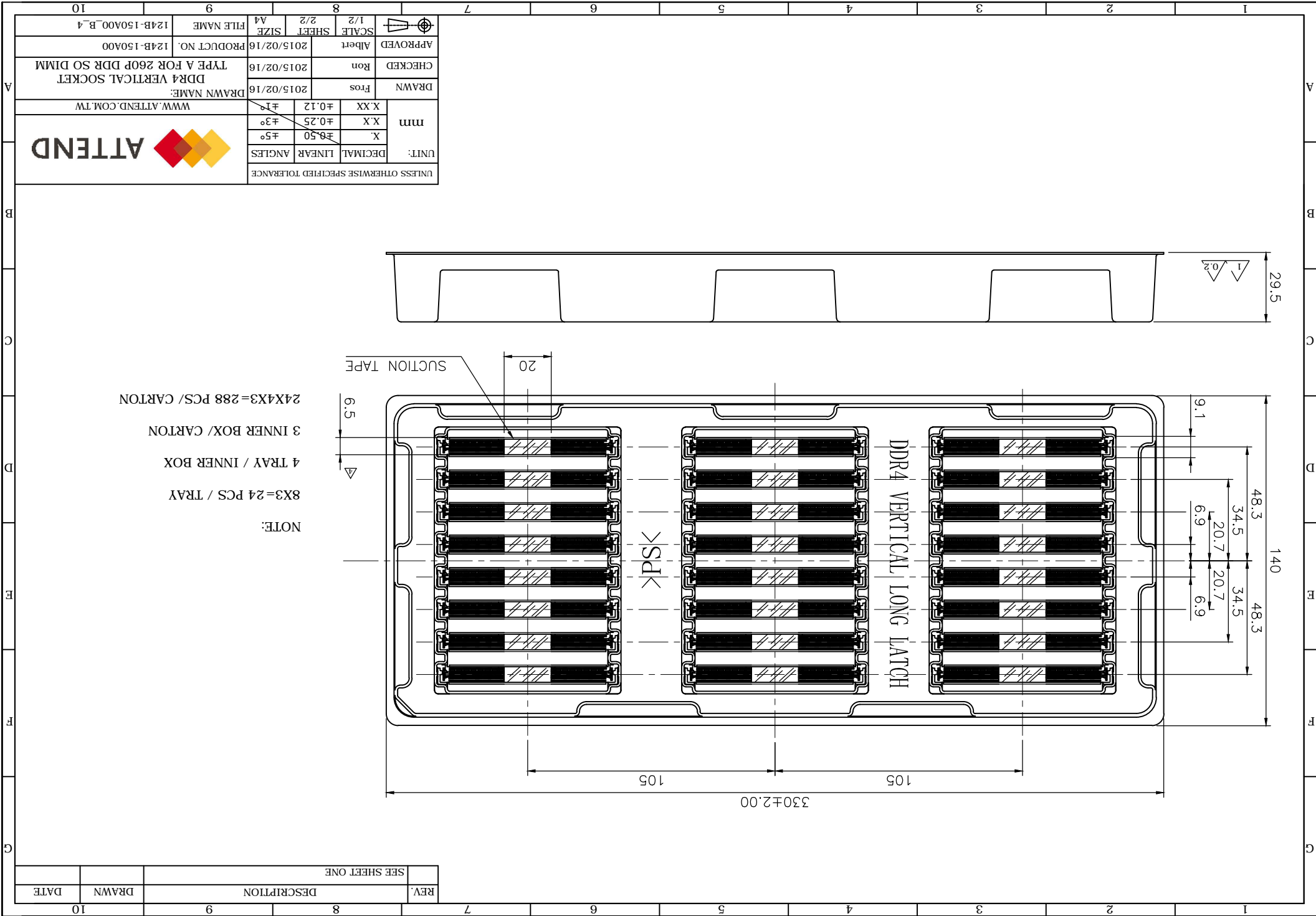
UNLESS OTHERWISE SPECIFIED TOLERANCE

DRAWN NAME:	DATE:	CHECKED:	DATE:	APPROVED:	DATE:
Fros	2015/02/16	Ron	2015/02/16	Albert	2015/02/16

SCALE	SHEET	SIZE	FILE NAME
1:4	1/2	A4	124B-150A00_B_4

DRAWN NAME: WWW.ATTEND.COM.TW  
DRAWN NAME: DDRA VERTICAL SOCKET TYPE A FOR 260P DDR SO DIMM  
PRODUCT NO. 124B-150A00





UNLESS OTHERWISE SPECIFIED TOLERANCE		DECIMAL	LINEAR	ANGLES
UNIT:	mm	X	±0.50	±5°
		X X	±0.25	±3°
		X XX	±0.12	±1°
DRAWN	Fros	2015/02/16	DRAWN NAME: WWW.ATTEND.COM.TW	
CHECKED	Ron	2015/02/16	DDR4 VERTICAL SOCKET	
APPROVED	Albert	2015/02/16	TYPE A FOR 260P DDR SO DIMM	
SCALE	1/2	SHEET	2/2	PRODUCT NO. 124B-150A00
FILE NAME	124B-150A00_B_4	SIZE	A4	

NOTE:  
 8X3=24 PCS / TRAY  
 4 TRAY / INNER BOX  
 3 INNER BOX/ CARTON  
 24X4X3=288 PCS/ CARTON

REV.	DESCRIPTION	DRAWN	DATE
	SEE SHEET ONE		

## X-ON Electronics

Largest Supplier of Electrical and Electronic Components

*Click to view similar products for [Memory Card Connectors](#) category:*

*Click to view products by [Attend manufacturer](#):*

Other Similar products are found below :

[M10-597810-355](#) [M21-033321-005](#) [6426-201-21343](#) [69.920.0553.0](#) [MCR60A-98D-2.54DSA\(70\)](#) [FCN-568P068-G/07-4V](#) [809180410000000](#)  
[95622-003LF](#) [AD2-262F-38900-232](#) [DM3AT-SF-PEJM5\(41\)](#) [EN2997S72039F6](#) [N7E50-7516PG-20-WF](#) [IC11S-BUR-PNEJL\(71\)](#) [NX30TA-](#)  
[15PAA\(50\)](#) [21920-5](#) [2041353-2](#) [FUA006-3220-0](#) [308-DS1P0811-192](#) [33CFAE-DN](#) [MI21A-50PD-SF-EJR\(91\)](#) [502431-1011](#) [5175651-2](#) [10-](#)  
[247926-166](#) [10-629549-258N](#) [11327-001](#) [11327-002](#) [EN2997S02039B8](#) [EN2997S61212BN](#) [EN2997S72039B6](#) [EN2997SE02039B8](#)  
[EN2997SE61212BN](#) [EN2997SE72039B6](#) [603020000](#) [617230001](#) [71-252718-32P](#) [NX1-32T-KT3K\(05\)](#) [95622-003LF](#) [91-570124-15P](#)  
[192900-0488](#) [N7E50-U516RB-50-SIN0005](#) [DM1AA-SF-PEJ](#) [95079-00CALF](#) [84648-056HLF](#) [68-580163-21S](#) [33DVIR-29S12R](#)  
[SF58S006VBBR2000](#) [93-570123-08P](#) [GMC020080HR](#) [125A-78C00](#) [1010040575#](#)