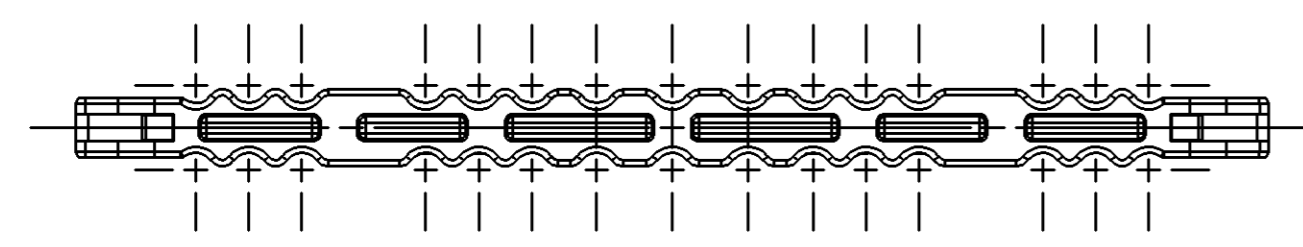
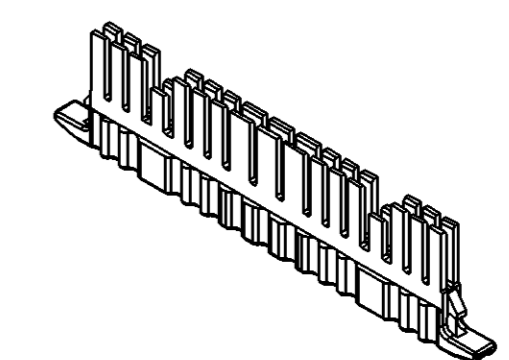
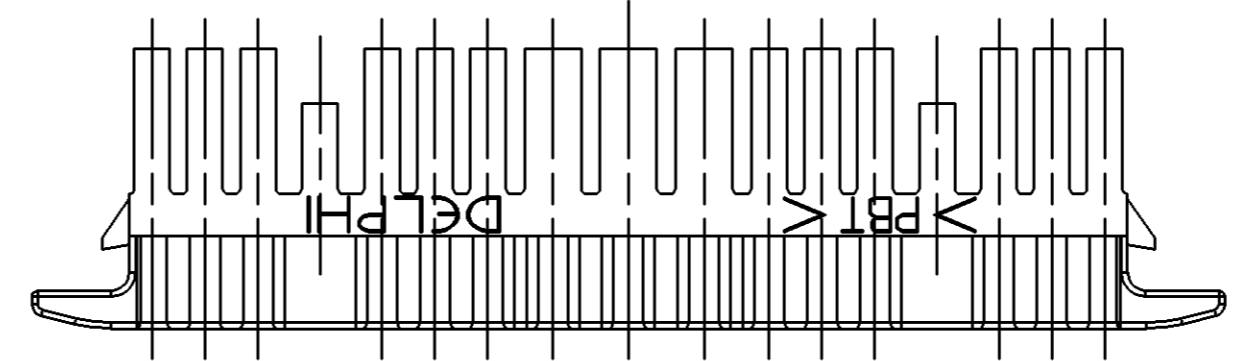
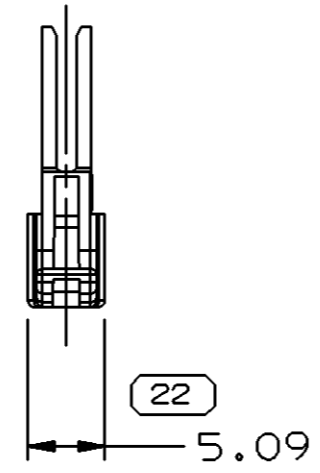
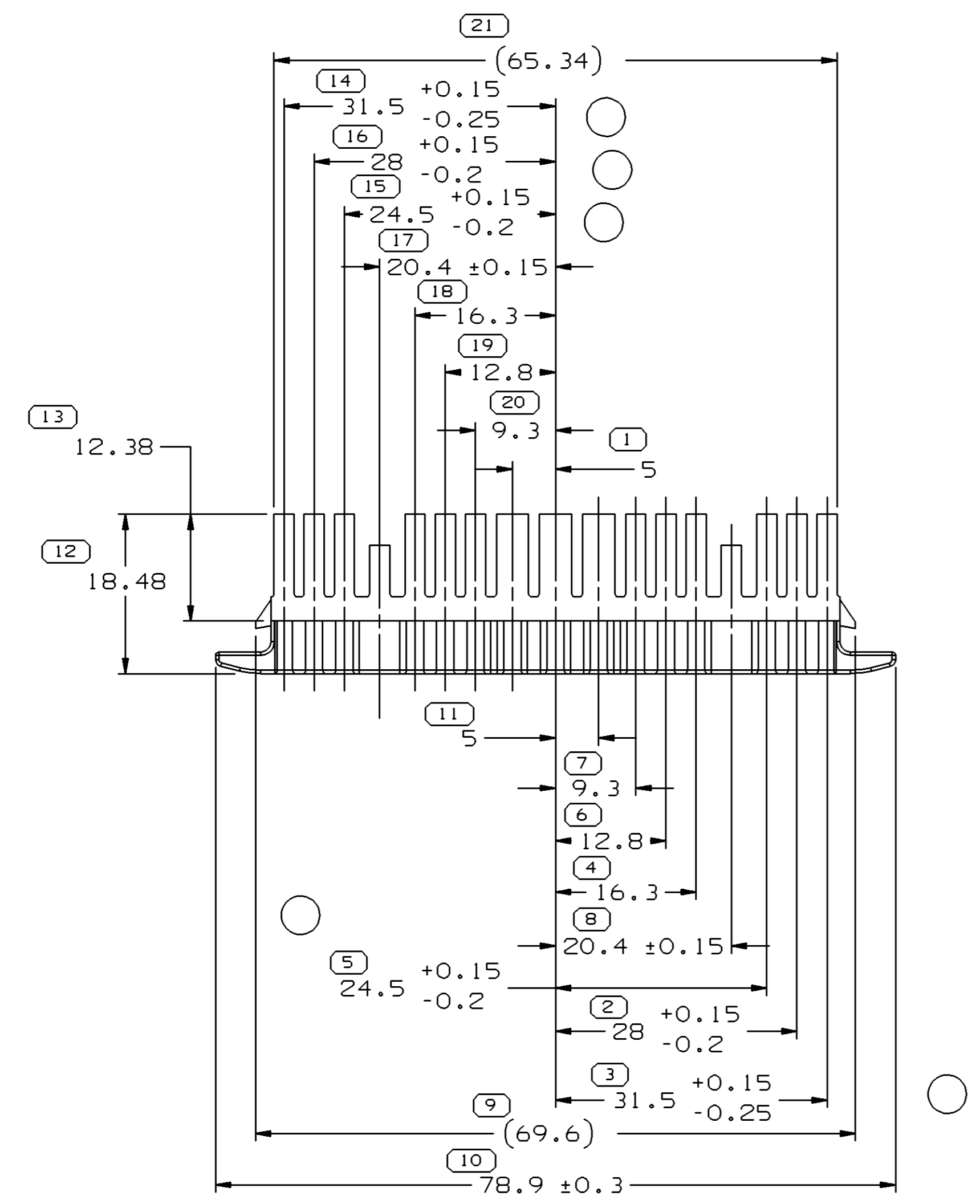
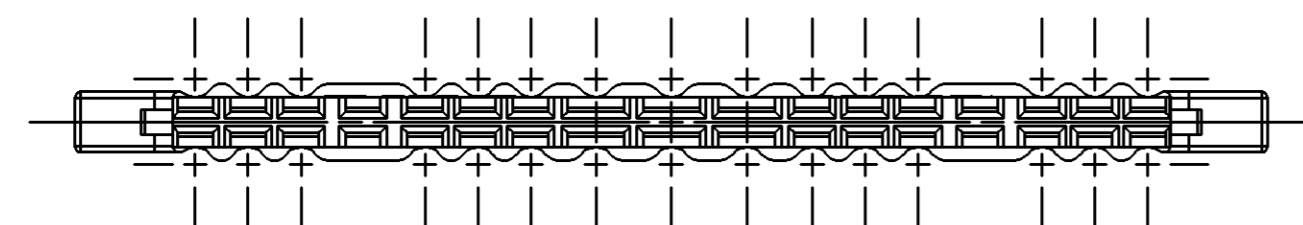


SYMBOL DEFINITION		MISSING SYMBOLS
A DIMENSION WITHOUT AN INSPECTION REPORT SYMBOL ( ) DOES NOT REQUIRE INSPECTION. IT MAY BE CONTROLLED ON THE INDIVIDUAL COMPONENT DRAWING.	TOTAL NO OF INSPECTIONS REQUIRED	22
	LAST NO. USED	22

DATE	DWG STATUS				ZONE	REVISION HISTORY	AUTH	DR	APVD1	APVD2
	STG	REV	N/P	CHG						
250C96	R	A	-	-		WAS PE061841 & RELEASED	960005	PHC	PHC	FKV
16DE96	R	A1	-	-		CPAD CREATED	960009	ELO	ELO	MVA
13FE97	R	B	-	-		REVISED	178021	PYP	PYP	PYP
04AU97	R	B1	-	-		REV SYM ADVANCED	180267	GGI	GGI	FKV
20MR02	R	B2	-	-		UPDATED PDM ATTRIBUTES	215066	HAM	HAM	DLB
11MR03	R	B3	-	-		ADDED NOTE #5; MATL SPEC WAS R0100111	238060	MAC	MAC	MP
010C03	R	B4	-	-		REVISED TOLS (2 PLCS)	246387	FKV	FKV	MP
080C03	R	B5	-	-		REVISION LEVEL FOR AUTHORITY NUMBER 246387 WAS 02 AD	247129	TLD	TLD	MP
06FE04	R	B6	-	-		REVISED TOLERANCES - (5PLCS)	251748	ADK	ADK	MLP



NOTES:

- UNLESS OTHERWISE SPECIFIED AND/OR INDICATED: DIMENSIONS ARE TO FACE OF VIEW SHOWN AND AUTOMATICALLY ROUNDED BY COMPUTER FOR INSPECTION. (SEE MATH MODEL FOR PRECISE DIMENSION) FOR ALL OTHER DIMENSIONS NOT SHOWN BUT REQUIRED FOR TOOL BUILD, SEE MATH MODEL FOR PRECISE TOOL PATH DATA.
- MATING COMPONENTS: CONNECTOR 15317735, 15304906, 15304907 OR EQUIVALENT.
- MATERIAL RECYCLING CODE PER ISO 11469. (2.3)X(0.1) RAISED CHARACTERS AS SHOWN TO BE LOCATED ON ANY EXTERIOR SURFACE. OPTIONAL CONSTRUCTION TO BE NO MATERIAL RECYCLING CODE.
- (2.3)X(0.1) RAISED DELPHI CORPORATE BRAND TO BE LOCATED ON ANY EXTERIOR SURFACE, PREFERABLY VISIBLE AT FINAL ASSEMBLY. OPTIONAL CONSTRUCTION TO BE "PED" OR NO LOGO.
- MEASURE DIMENSIONS 1-11, 14-21 WITH PART RESTRAINED FLAT ON BACK

DWG TYPE		PART DRAWING	
STYLE			
VOLUME (CM <sup>3</sup> )	DISTR CODE		
2.617	D		
ROUTING			
6901			
UNLESS OTHERWISE SPECIFIED			
THIS DOCUMENT IS IN ACCORDANCE WITH ASME Y14.5M-1994 AS AMENDED BY THE GM GLOBAL DIMENSIONING AND TOLERANCING ADDENDUM - 1997. ALL GEOMETRIC TOLERANCES AND RELATED DATUMS APPLY RFS. RULE #1 (PERFECT FORM AT MMC) DOES NOT APPLY WHEN RELATIONSHIP BETWEEN FEATURES IS ESTABLISHED BY ORIENTATION OR LOCATION TOLERANCES. SEPARATE POSITION CALLOUTS MAY BE GAGED SEPARATELY, REGARDLESS OF DATUM REFERENCE.			
ALL DIMENSIONS ARE IN MILLIMETERS			
REFERENCE			

**DELPHI**  
 DELPHI PACKARD ELECTRIC SYSTEMS  
 WARREN, OH

DR	DATE
APVD1 H. CASTRILLON	250C96
APVD2 FCO. KOPCA	250C96
APVD3 JOE SVETTE	01N096
APVD4	
APVD5	

SUBSTANCES OF CONCERN AND RECYCLED CONTENT PER DELPHI 10949001

MATERIAL  
 M4695008 PBT-BLU

DRAWING NAME  
 LOCK TPA GT 150 280 30 BLU

DRAWING NUMBER  
**15304912**

SIZE	SCALE	FRAME NO	SHEET NO	STG	REV	N/P
A1	2:1	1 OF 1	1 OF 1	R	B6	-

R 0.2 MAX	R 0.1 MAX	DIMENSIONAL RANGE (MM)		CHART E1					
		FROM	TO	FROM	TO				
		> 0	> 20	> 70	> 100	> 150	> 200	> 250	> 300
		±0.15	±0.2	±0.3	±0.4	±0.5	±0.6	±0.8	±1
		TOLERANCE UNLESS OTHERWISE SPECIFIED		ANGULAR TOLERANCE ±2°					

THIRD ANGLE PROJECTION

DO NOT SCALE

USE MATH DATA

## X-ON Electronics

Largest Supplier of Electrical and Electronic Components

*Click to view similar products for [Automotive Connectors](#) category:*

*Click to view products by [Delphi](#) manufacturer:*

Other Similar products are found below :

[003-018-000](#) [600858](#) [60403001](#) [60993906-B](#) [60993913-B](#) [629515004020001](#) [M902-2131](#) [M902-2161](#) [M902-2344](#) [72.330.1035.1](#)  
[73.353.4028.0](#) [F118010](#) [F119300-B](#) [F132210](#) [F132210-B](#) [F166900](#) [F180100](#) [F258300](#) [F258300-B](#) [F294300-B](#) [F339100](#) [F339700](#) [F358300-](#)  
[B](#) [F374110](#) [F407400](#) [F412210](#) [F427600](#) [F444110](#) [F487000](#) [F495100-B](#) [F500900-B](#) [F509500B-B](#) [770444-1](#) [776880-1](#) [827153-1](#) [881735-1](#)  
[8N1515-32-24P](#) [9-1326729-8](#) [925467-1](#) [925474-1](#) [928905-1](#) [936398-2](#) [964562-1](#) [964562-4](#) [964731-2](#) [965051-1](#) [968782-1](#) [GT17SA-8DS-](#)  
[HU](#) [GT17VS-10DP-5.2CF](#) [98315-0001](#)