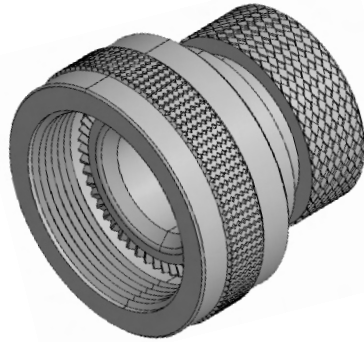


SHRINK BOOT ADAPTOR



Amphenol shrink boot adapter is a good option when the unshielded cables are terminated with heat shrink boots. It has a groove where the boot lip can be held which provides good grip apart from sufficient space inside for the cable looping.

Using the heat shrink boot is one way of providing environmental protection and strain relief to cable termination. Using a suitable adapter is essential here to ensure the repairability. Amphenol shrink boot adapter is designed to provide excellent characteristics in all these parameters.

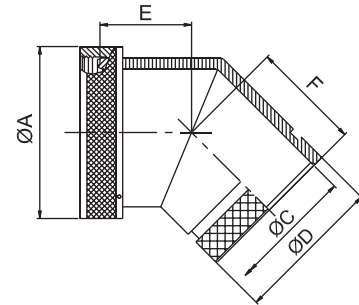
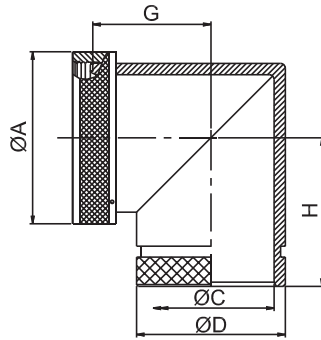
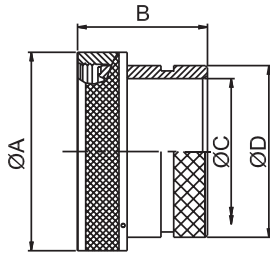
For Connector Group		Page No.
J	→	V-1 - V-2
K	→	V-3 - V-4
L	→	V-5
M	→	V-6
N	→	V-7

Note: For Connector group Identification refer Table 1 - A, B, C, D (Page 7-11) and for Material / Plating Finish, Refer Table-2 (Page 12)



Connector Group - J

Straight, 90°, 45°



Amphenol Part Number

BB1 X X J 99 99 9 X X

Series ———— BB1

Angle ———— X X
S: straight
A: 90deg
B: 45deg

Coupling ———— J
R: spin
D: direct

Connector group ———— 99 99

Finish: see Table-2 ———— X X

Constant: X ———— X

Length ———— 9
9 - for standard
Length in table / figure

Entry Size ———— 99 99
99 - for standard
Entry Size in table / figure

Shell size ———— 99 99
See Table-A

MIL Part Number

M85049 / 99-9 X 9

MIL Series ———— M85049 / 99-9

Slash sheet ———— /
60-1: Straight, spin coupling

Dash Number: See Table-A ———— X

Finish: See Table-2 ———— 9

NOTE: * For more cable entry and length options, contact factory

TABLE - A										
AMPHENOL PART NUMBER DESIGNATOR	MIL PART NUMBER DESIGNATOR	CONNECTOR SHELL SIZE	A DIA. (MAX)		B (MAX)		C DIA. (MIN)		D DIA. (MAX)	
			INCH	MM	INCH	MM	INCH	MM	INCH	MM
08	08	8	0.62	15.67	1.19	30.15	0.25	6.35	0.53	13.54
10	10	10	0.73	18.64	1.19	30.15	0.36	9.02	0.61	15.37
12	12	7/12	0.86	21.79	1.19	30.15	0.49	12.47	0.77	19.66
14	14	12/14	0.98	24.99	1.19	30.15	0.57	14.35	0.84	21.29
16	16	19/16	1.11	28.24	1.19	30.15	0.69	17.53	0.96	24.46
18	18	27/18	1.22	30.94	1.19	30.15	0.77	19.53	1.04	26.47
20	20	37/20	1.35	34.16	1.19	30.15	0.89	22.71	1.22	30.91
22	22	22	1.47	37.29	1.19	30.15	1.02	25.88	1.36	34.42
24	24	24	1.59	40.46	1.19	30.15	1.13	28.80	1.44	36.65
28	28	28	1.97	50.01	1.51	38.38	1.37	34.77	1.71	43.41
32	32	32	2.22	56.36	1.51	38.38	1.62	41.02	1.92	48.74
36	36	36	2.47	62.71	1.51	38.38	1.83	46.48	2.17	55.09
40	40	40	2.72	69.06	1.51	38.38	2.05	51.94	2.40	61.01
44	44	44	2.97	75.41	1.51	38.38	2.30	58.42	2.66	67.49
48	48	48	3.22	81.76	1.51	38.38	2.55	64.77	2.91	73.84

Table Continued

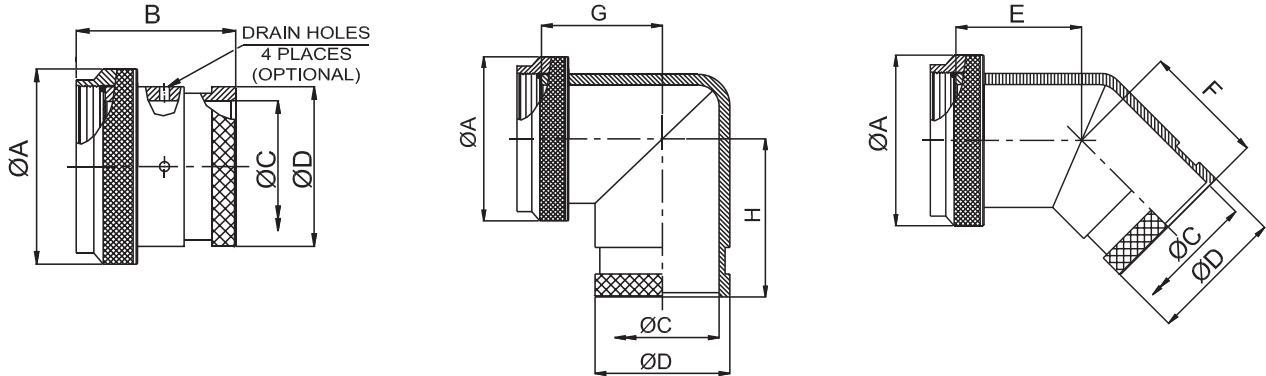
Connector Group - J

Straight, 90°, 45°

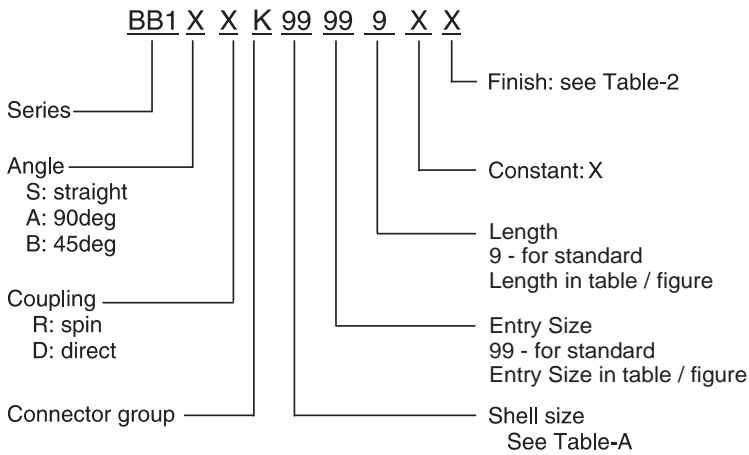
TABLE - A										
AMPHENOL PART NUMBER DESIGNATOR	MIL PART NUMBER DESIGNATOR	CONNECTOR SHELL SIZE	E (MAX)		F (MAX)		G (MAX)		H (MAX)	
			INCH	MM	INCH	MM	INCH	MM	INCH	MM
08	08	8	0.64	16.23	0.81	20.57	0.75	19.05	0.92	23.37
10	10	10	0.66	16.87	0.84	21.34	0.81	20.57	0.98	24.89
12	12	7/12	0.69	17.48	0.86	21.84	0.87	22.10	1.04	26.42
14	14	12/14	0.71	17.91	0.89	22.61	0.92	23.37	1.11	28.19
16	16	19/16	0.73	18.59	0.91	23.11	0.98	24.89	1.17	29.72
18	18	27/18	0.75	19.00	0.92	23.37	1.02	25.91	1.19	30.23
20	20	37/20	0.77	19.63	0.94	23.88	1.08	27.43	1.25	31.75
22	22	22	0.80	20.32	0.98	24.89	1.14	28.96	1.33	33.78
24	24	24	0.82	20.90	1.01	25.65	1.20	30.48	1.40	35.56
28	28	28	1.04	26.44	1.18	29.97	1.48	37.59	1.64	41.66
32	32	32	1.09	27.74	1.37	34.80	1.61	40.89	1.88	47.75
36	36	36	-----	-----	-----	-----	-----	-----	-----	-----
40	40	40	-----	-----	-----	-----	-----	-----	-----	-----
44	44	44	-----	-----	-----	-----	-----	-----	-----	-----
48	48	48	-----	-----	-----	-----	-----	-----	-----	-----

Connector Group - K

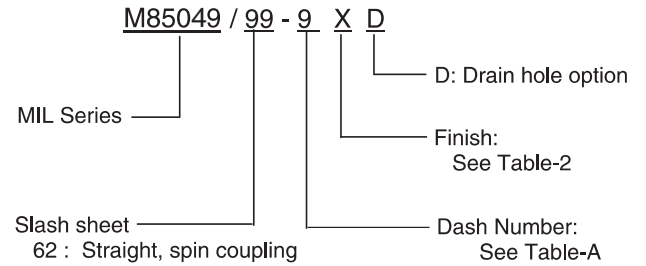
Straight, 90°, 45°



Amphenol Part Number



MIL Part Number



NOTE: * For more cable entry and length options, contact factory

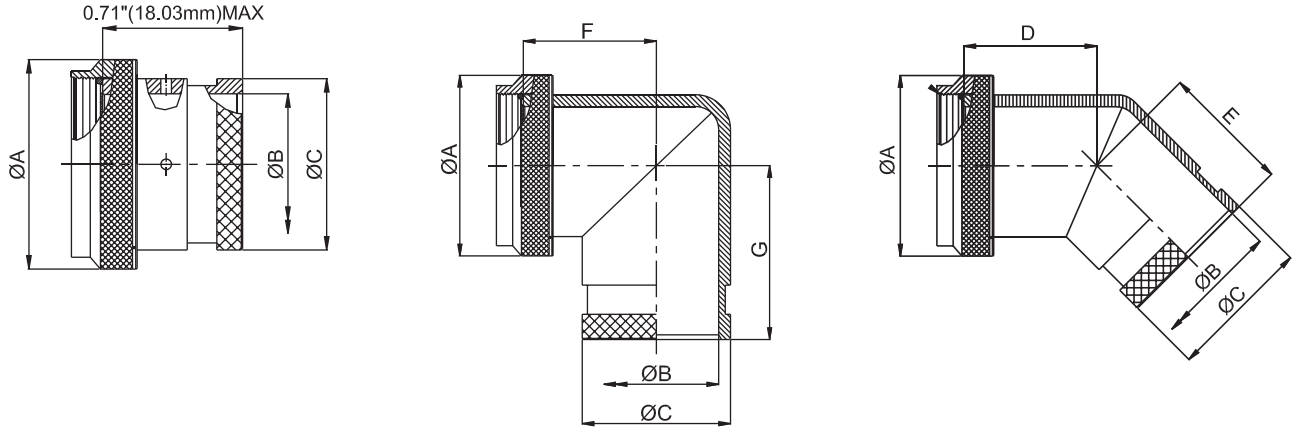
AMPHENOL PART NUMBER DESIGNATOR		MIL PART NUMBER DESIGNATOR		CONNECTOR SHELL SIZE SE - II / I		A DIA. (MAX)		B (MAX)		C DIA. (MIN)		D DIA. (MAX)		E (MAX)	
SHELL SIZE	DASH NO.					INCH	MM	INCH	MM	INCH	MM	INCH	MM	INCH	MM
08	08			8 / 9		0.75	19.05	1.00	25.40	0.25	6.35	0.53	13.54	0.64	16.23
10	10			10 / 11		0.85	21.59	1.00	25.40	0.38	9.53	0.61	15.37	0.66	16.87
12	12			12 / 13		1.00	25.40	1.00	25.40	0.50	12.70	0.77	19.66	0.69	17.48
14	14			14 / 15		1.10	27.94	1.00	25.40	0.63	15.88	0.84	21.29	0.71	17.91
16	16			16 / 17		1.25	31.75	1.00	25.40	0.75	19.05	0.94	23.77	0.73	18.59
18	18			18 / 19		1.40	35.56	1.00	25.40	0.81	20.62	1.04	26.47	0.75	19.00
20	20			20 / 21		1.50	38.10	1.00	25.40	0.94	23.80	1.22	30.91	0.77	19.63
22	22			22 / 23		1.65	41.91	1.00	25.40	1.06	26.97	1.36	34.42	0.80	20.32
24	24			24 / 25		1.75	44.45	1.00	25.40	1.19	30.18	1.44	36.65	0.82	20.90

Table Continued

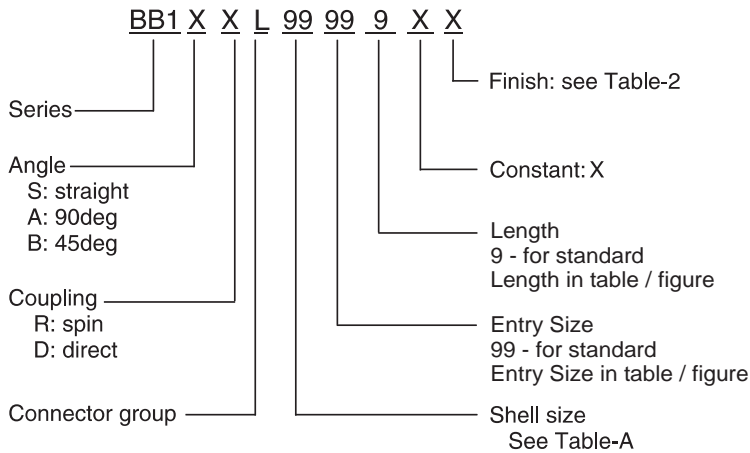
TABLE - A								
AMPHENOL PART NUMBER DESIGNATOR	MIL PART NUMBER DESIGNATOR	CONNECTOR SHELL SIZE SE - II / I	F (MAX)		G (MAX)		H (MAX)	
			INCH	MM	INCH	MM	INCH	MM
08	08	8 / 9	0.81	20.57	0.75	19.05	0.92	23.37
10	10	10 / 11	0.84	21.34	0.81	20.57	0.98	24.89
12	12	12 / 13	0.86	21.84	0.87	22.10	1.04	26.42
14	14	14 / 15	0.89	22.61	0.92	23.37	1.11	28.19
16	16	16 / 17	0.91	23.11	0.98	24.89	1.17	29.72
18	18	18 / 19	0.92	23.37	1.02	25.91	1.19	30.23
20	20	20 / 21	0.94	23.88	1.08	27.43	1.25	31.75
22	22	22 / 23	0.98	24.89	1.14	28.96	1.33	33.78
24	24	24 / 25	1.01	25.65	1.20	30.48	1.40	35.56

Connector Group - L

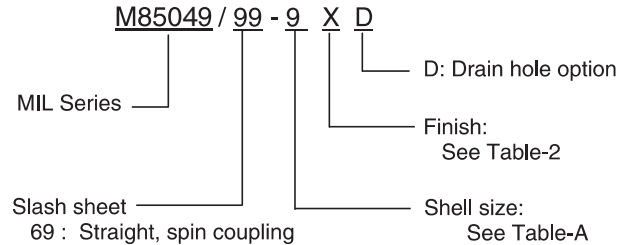
Straight, 90°, 45°



Amphenol Part Number

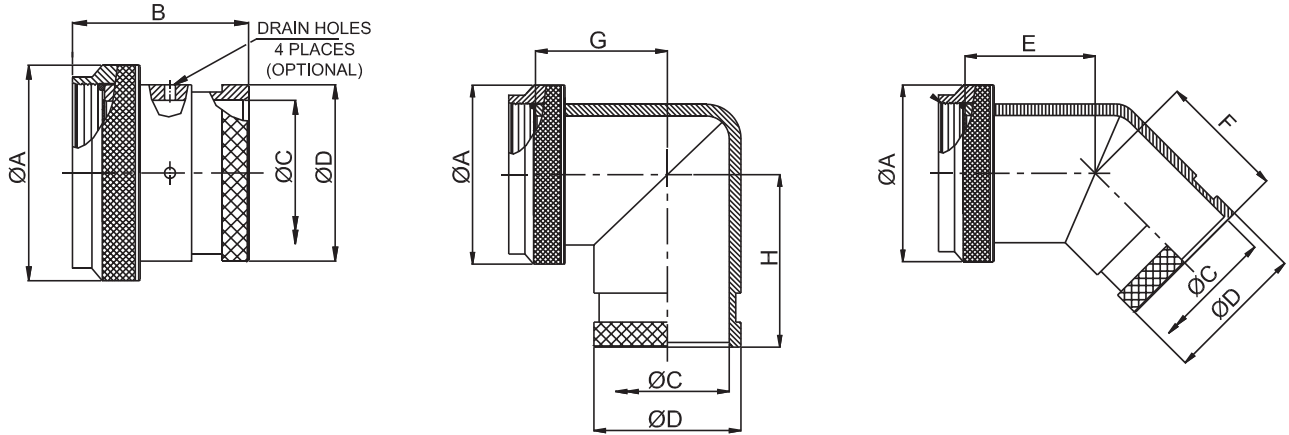


MIL Part Number

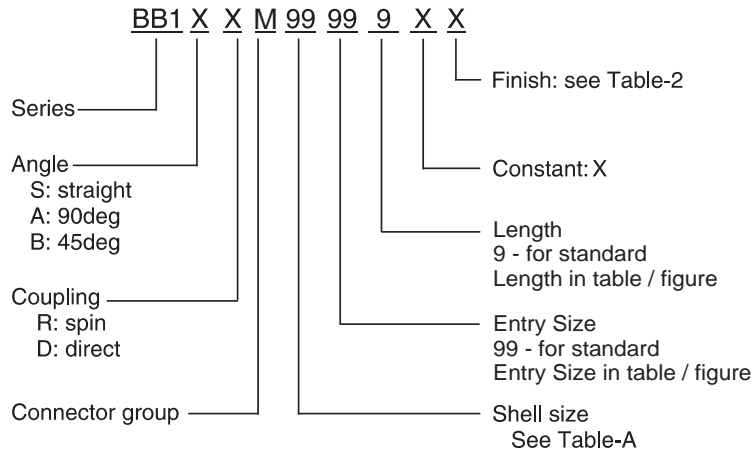


NOTE: * For more cable entry and length options, contact factory

AMPHENOL PART NUMBER DESIGNATOR		MIL PART NUMBER DESIGNATOR		CONNECTOR SHELL SIZE/CODE (REF.)	A DIA. (MAX)		B DIA. (MIN)		C DIA. (MAX)		D (MAX)		E (MAX)		F (MAX)		G (MAX)	
SHELL SIZE	CONNECTOR SHELL SIZE				INCH	MM	INCH	MM	INCH	MM	INCH	MM	INCH	MM	INCH	MM	INCH	MM
08	09	09 / A		0.75	19.05	0.25	6.35	0.53	13.54	0.64	16.23	0.81	20.57	0.75	19.05	0.92	23.37	
10	11	11 / B		0.85	21.59	0.38	9.53	0.61	15.37	0.66	16.87	0.84	21.34	0.81	20.57	0.98	24.89	
12	13	13 / C		1.00	25.40	0.50	12.70	0.77	19.66	0.69	17.48	0.86	21.84	0.87	22.10	1.04	26.42	
14	15	15 / D		1.15	29.21	0.63	15.88	0.84	21.29	0.71	17.91	0.89	22.61	0.92	23.37	1.11	28.19	
16	17	17 / E		1.25	31.75	0.75	19.05	0.94	23.77	0.73	18.59	0.91	23.11	0.98	24.89	1.17	29.72	
18	19	19 / F		1.40	35.56	0.81	20.62	1.04	26.47	0.75	19.00	0.92	23.37	1.02	25.91	1.19	30.23	
20	21	21 / G		1.55	39.37	0.94	23.80	1.22	30.91	0.77	19.63	0.94	23.88	1.08	27.43	1.25	31.75	
22	23	23 / H		1.65	41.91	1.06	26.97	1.36	34.42	0.80	20.32	0.98	24.89	1.14	28.96	1.33	33.78	
24	25	25 / J		1.85	46.99	1.19	30.18	1.44	36.65	0.82	20.90	1.01	25.65	1.20	30.48	1.40	35.56	



Amphenol Part Number

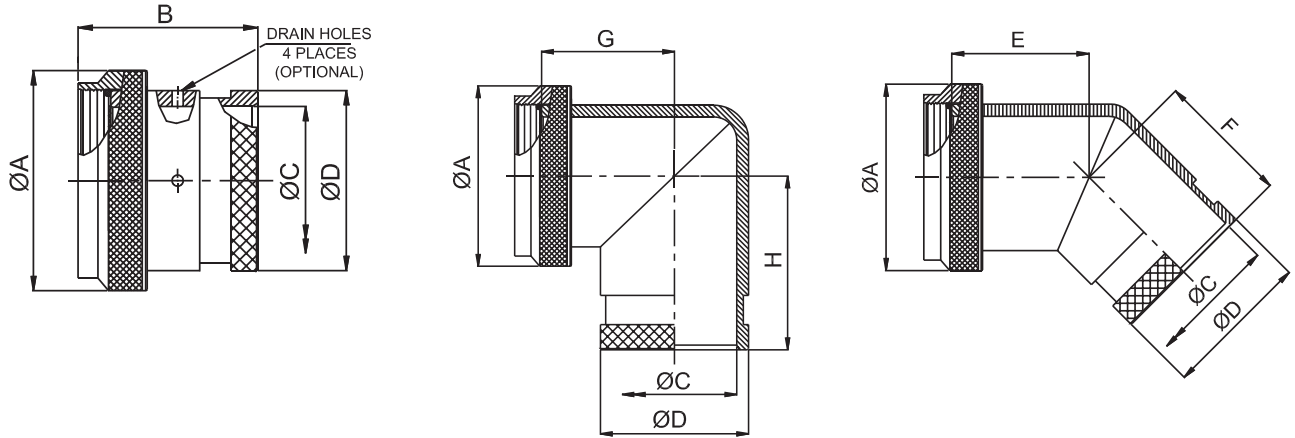


NOTE: * For more cable entry and length options, contact factory

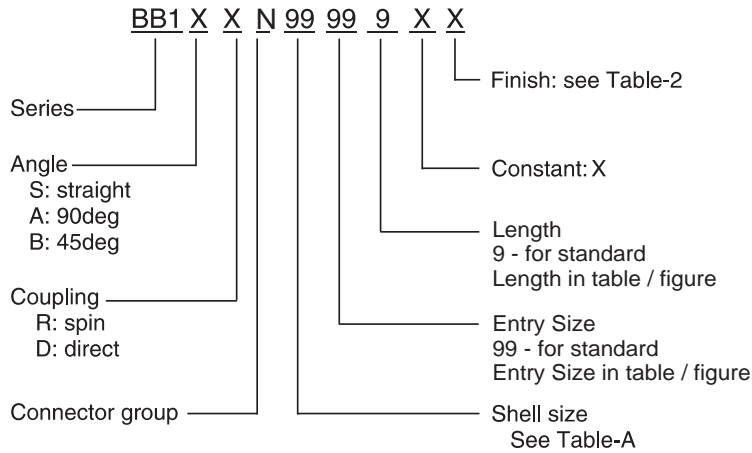
		TABLE - A															
AMPHENOL PART NUMBER DESIGNATOR	CONNECTOR SHELL SIZE	A DIA. (MAX)		B (MAX)		C DIA. (MIN)		D DIA. (MAX)		E (MAX)		F (MAX)		G (MAX)		H (MAX)	
		INCH	MM	INCH	MM	INCH	MM	INCH	MM	INCH	MM	INCH	MM	INCH	MM	INCH	MM
08	8	0.75	19.05	1.00	25.40	0.25	6.35	0.53	13.54	0.64	16.23	0.81	20.57	0.75	19.05	0.92	23.37
10	10	0.85	21.59	1.00	25.40	0.38	9.53	0.61	15.37	0.66	16.87	0.84	21.34	0.81	20.57	0.98	24.89
12	12	1.00	25.40	1.00	25.40	0.50	12.70	0.77	19.66	0.69	17.48	0.86	21.84	0.87	22.10	1.04	26.42
14	14	1.10	27.94	1.00	25.40	0.63	15.88	0.84	21.29	0.71	17.91	0.89	22.61	0.92	23.37	1.11	28.19
16	16	1.25	31.75	1.00	25.40	0.75	19.05	0.94	23.77	0.73	18.59	0.91	23.11	0.98	24.89	1.17	29.72
18	18	1.40	35.56	1.00	25.40	0.81	20.62	1.04	26.47	0.75	19.00	0.92	23.37	1.02	25.91	1.19	30.23
20	20	1.50	38.10	1.00	25.40	0.94	23.80	1.22	30.91	0.77	19.63	0.94	23.88	1.08	27.43	1.25	31.75
22	22	1.65	41.91	1.00	25.40	1.06	26.97	1.36	34.42	0.80	20.32	0.98	24.89	1.14	28.96	1.33	33.78
24	24	1.75	44.45	1.00	25.40	1.19	30.18	1.44	36.65	0.82	20.90	1.01	25.65	1.20	30.48	1.40	35.56

Connector Group - N

Straight, 90°, 45°



Amphenol Part Number



NOTE: * For more cable entry and length options, contact factory

		TABLE - A															
AMPHENOL PART NUMBER DESIGNATOR	CONNECTOR SHELL SIZE	A DIA. (MAX)		B (MAX)		C DIA. (MIN)		D DIA. (MAX)		E (MAX)		F (MAX)		G (MAX)		H (MAX)	
		INCH	MM	INCH	MM	INCH	MM	INCH	MM	INCH	MM	INCH	MM	INCH	MM	INCH	MM
08	8	0.75	19.05	1.00	25.40	0.25	6.35	0.53	13.54	0.64	16.23	0.81	20.57	0.75	19.05	0.92	23.37
10	10	0.85	21.59	1.00	25.40	0.38	9.53	0.61	15.37	0.66	16.87	0.84	21.34	0.81	20.57	0.98	24.89
12	12	1.00	25.40	1.00	25.40	0.50	12.70	0.77	19.66	0.69	17.48	0.86	21.84	0.87	22.10	1.04	26.42
14	14	1.10	27.94	1.00	25.40	0.63	15.88	0.84	21.29	0.71	17.91	0.89	22.61	0.92	23.37	1.11	28.19
16	16	1.25	31.75	1.00	25.40	0.75	19.05	0.94	23.77	0.73	18.59	0.91	23.11	0.98	24.89	1.17	29.72
18	18	1.40	35.56	1.00	25.40	0.81	20.62	1.04	26.47	0.75	19.00	0.92	23.37	1.02	25.91	1.19	30.23
20	20	1.50	38.10	1.00	25.40	0.94	23.80	1.22	30.91	0.77	19.63	0.94	23.88	1.08	27.43	1.25	31.75
22	22	1.65	41.91	1.00	25.40	1.06	26.97	1.36	34.42	0.80	20.32	0.98	24.89	1.14	28.96	1.33	33.78
24	24	1.75	44.45	1.00	25.40	1.19	30.18	1.44	36.65	0.82	20.90	1.01	25.65	1.20	30.48	1.40	35.56

X-ON Electronics

Largest Supplier of Electrical and Electronic Components

Click to view similar products for [Circular MIL Spec Strain Reliefs & Adapters](#) category:

Click to view products by [Amphenol](#) manufacturer:

Other Similar products are found below :

[896227-000](#) [899170S004](#) [6000-063-0022](#) [613751-000](#) [CS6624-000](#) [620AB038Z136](#) [620AS001Z108](#) [620AS038Z112](#) [620AS038Z120](#)
[620AS038Z132](#) [620FB038NF08](#) [620HA038NF13](#) [620HA038NF25](#) [620HA042XM13](#) [620HB049NF17](#) [620HS011NF21](#) [620HS038NF11](#)
[620HS038Z121](#) [620HS042XM19](#) [620HS042XM25](#) [620HS042XW13](#) [620HS048B17](#) [620MS064NF09](#) [620MS064NF12](#) [620MS065M12](#)
[620MS065Z107](#) [620MS065ZNU06](#) [630J041M06H](#) [630J041M20H](#) [637S010NF0212H](#) [640830-000](#) [659943-000](#) [66241-10A](#) [CW0597-000](#)
[CW0598-000](#) [CW0948-000](#) [CY0122-000](#) [M85049/41-6A W/B](#) [M85049/42-12DS](#) [M85049/47N8](#) [M85049/47W18](#) [M85049/51-1-14S](#)
[M85049/51-1-8W](#) [M85049/51S16S](#) [M85049/60-1N16](#) [M85049/60-2G12W](#) [M85049/69-11N](#) [CZ3661-000](#) [D02922-000](#) [70.360.1628.0](#)