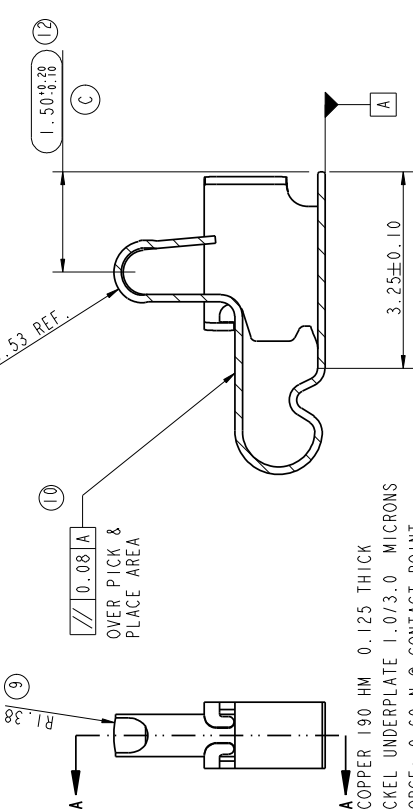
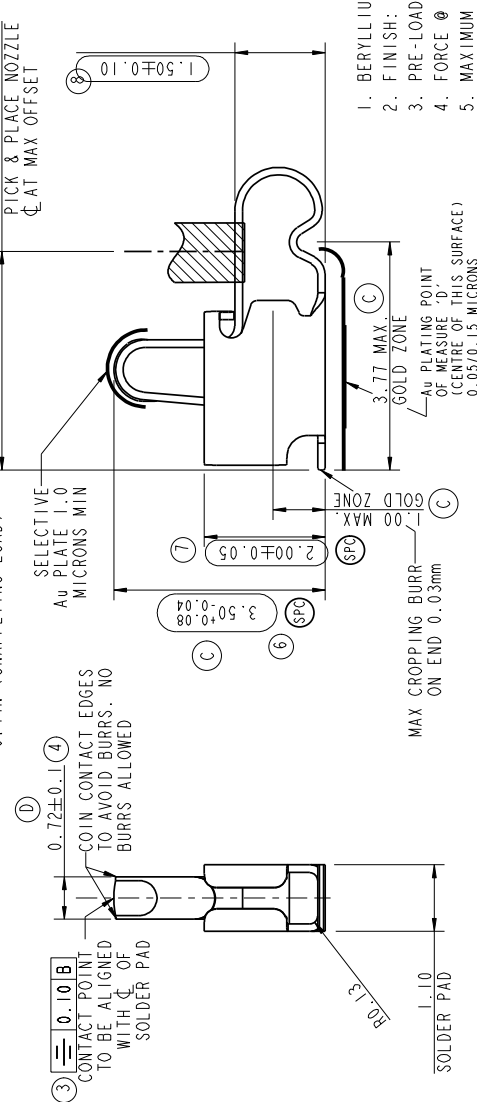
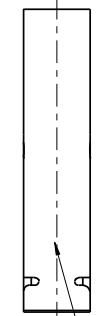


COMPRESSION (mm)



1. BERYLLIUM COPPER 190 HM 0.125 THICK
2. FINISH: NICKEL UNDERPLATE 1.0/3.0 MICRONS
3. PRE-LOAD FORCE: 0.69 N @ CONTACT POINT
4. FORCE @ MAXIMUM DEFLECTION: 1.16 N @ CONTACT POINT
5. MAXIMUM BEAM DEFLECTION: 1.40mm @ CONTACT POINT
6. CRITICAL DIMENSIONS ARE RINGED.
7. DIMENSIONS MARKED (SPC) ARE SUBJECT TO SPC CONTROL.
8. 3600 PCS ONE REEL WITH 100 LEADER EMPTY POCKETS AND 100 TRAILER EMPTY POCKETS. REEL OUTER DIMETER IS Ø330mm, REEL HUB DIMETER IS Ø100mm.
9. RECOMMENDED PCB PAD SIZE: 3.65 X 1.10 mm.

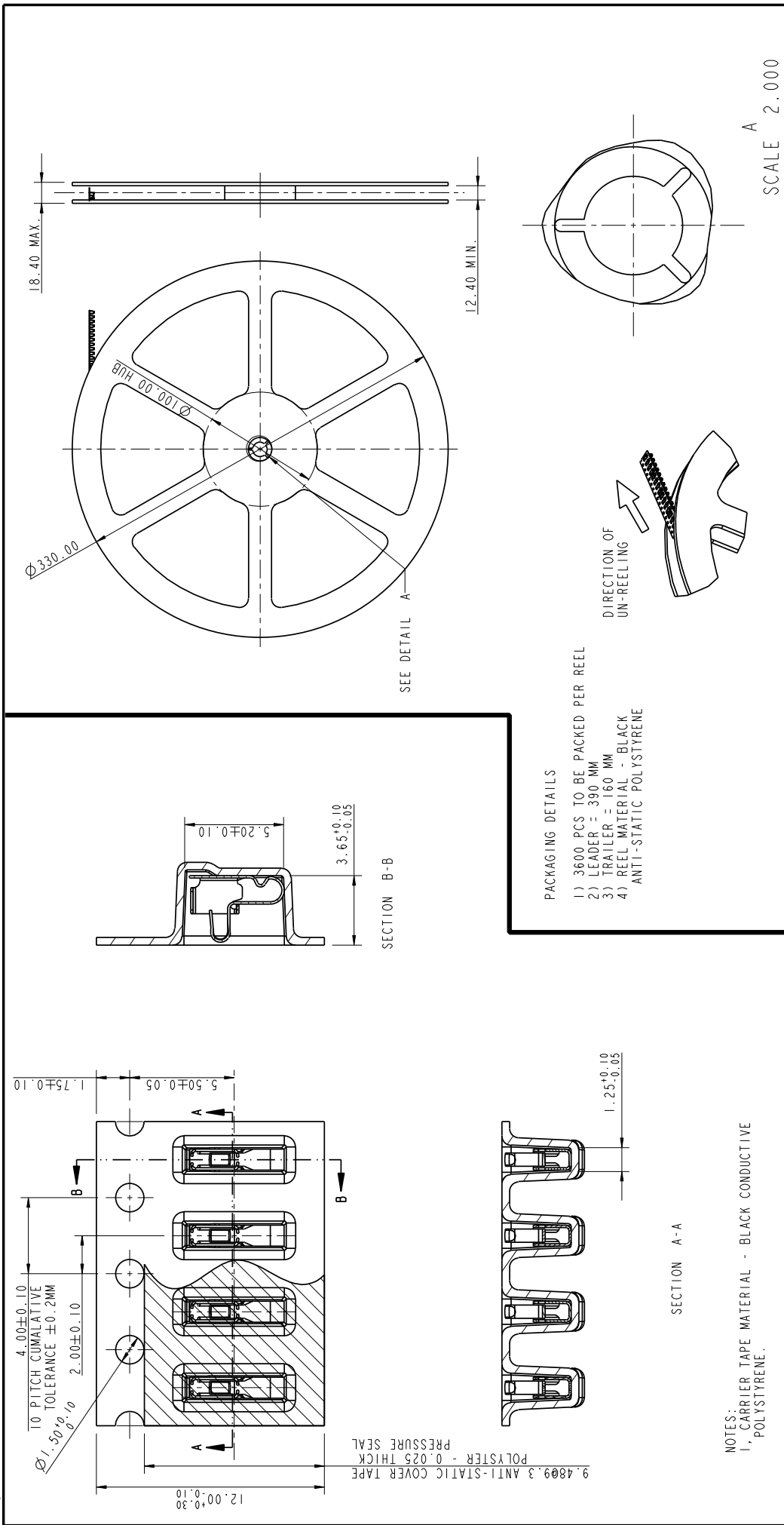


REV	DCN/ECN or Description	Date	Approvals	Sign	Date	Dimensions	in:	mm	Cust Spec No:	Ref:
E	RE-2659, ADD PACKAGING DETAIL	13-Nov-10	DO NOT SCALE							
D	RE-2272, ADD WIDTH TOLERANCE	01-Apr-06	Drawn	13-Nov-10						
C	RE-1935, ADD SOLDERING GOLD ZONE DIMENSION 3.50±0.08 was 3.50±0.05 1.50±0.20 was 1.60±0.20	26-FEB-07	Checked Engineer:	13-Nov-10						
B	RE-1724, UPDATED FORCE INFORMATION ADD PCB PAD SIZE	25-Apr-06	Manufact Assembly Quality	13-Nov-10						
A	RE-1703 RELEASED	3-Apr-06	Approvals							
Iss										
Rev										

ITTT Industries	Toupundun Industrial Area, Jinda Cheng, Xiner Village, Shaheing Town, Baoan District, Shenzhen City PRC 51825	Scale 40:000	Sheet 1 of 2
Cannon Electronics (SZ) Co. Ltd.			

Pro/E Generic Model	Micro Universal CONTACT 3.5 mm
Drawg No.	CU-120220-0204
Iss/rev	E

Drwg. No. CU-120220-0204-E



DO NOT SCALE	Material: BERYLLIUM COPPER 190 HM - 0.125 ± 0.004 THICK	Scale 30.000	Sheet 2 of 2
Drawn BILLS 13-Nov-09	Surface Roughness 16/ Unless Specified	Scale 30.000	Sheet 2 of 2
Checked FRANK 13-Nov-10	3rd ANGLE PROJECTION	Scale 30.000	Sheet 2 of 2
Engineer BILLS 13-Nov-10	Surface Roughness 16/ Unless Specified	Scale 30.000	Sheet 2 of 2
Manufact. -	Unless Specified	Scale 30.000	Sheet 2 of 2
Assembly -	Unless Specified	Scale 30.000	Sheet 2 of 2
Quality -	Unless Specified	Scale 30.000	Sheet 2 of 2
Approvals Sign	Dimensions in: mm	Scale 30.000	Sheet 2 of 2
Date	Dimensions in: mm	Scale 30.000	Sheet 2 of 2
DO NOT SCALE	Material: BERYLLIUM COPPER 190 HM - 0.125 ± 0.004 THICK	Scale 30.000	Sheet 2 of 2
Drawn BILLS 13-Nov-09	Surface Roughness 16/ Unless Specified	Scale 30.000	Sheet 2 of 2
Checked FRANK 13-Nov-10	3rd ANGLE PROJECTION	Scale 30.000	Sheet 2 of 2
Engineer BILLS 13-Nov-10	Surface Roughness 16/ Unless Specified	Scale 30.000	Sheet 2 of 2
Manufact. -	Unless Specified	Scale 30.000	Sheet 2 of 2
Assembly -	Unless Specified	Scale 30.000	Sheet 2 of 2
Quality -	Unless Specified	Scale 30.000	Sheet 2 of 2
Approvals Sign	Dimensions in: mm	Scale 30.000	Sheet 2 of 2
Date	Dimensions in: mm	Scale 30.000	Sheet 2 of 2
DO NOT SCALE	Material: BERYLLIUM COPPER 190 HM - 0.125 ± 0.004 THICK	Scale 30.000	Sheet 2 of 2
Drawn BILLS 13-Nov-09	Surface Roughness 16/ Unless Specified	Scale 30.000	Sheet 2 of 2
Checked FRANK 13-Nov-10	3rd ANGLE PROJECTION	Scale 30.000	Sheet 2 of 2
Engineer BILLS 13-Nov-10	Surface Roughness 16/ Unless Specified	Scale 30.000	Sheet 2 of 2
Manufact. -	Unless Specified	Scale 30.000	Sheet 2 of 2
Assembly -	Unless Specified	Scale 30.000	Sheet 2 of 2
Quality -	Unless Specified	Scale 30.000	Sheet 2 of 2
Approvals Sign	Dimensions in: mm	Scale 30.000	Sheet 2 of 2
Date	Dimensions in: mm	Scale 30.000	Sheet 2 of 2

NOTES:
1. CARRIER TAPE MATERIAL - BLACK CONDUCTIVE POLYSTYRENE.

ITTT Industries
Toupandun Industrial Area,
Jinda Cheng, Xiner Village,
Shaheing Town, Baoan District,
Shenzhen City
PRC 518125
Canon Electronics (SZ) Co. Ltd.

Pro/E Generic Model
Title
MICRO UNIVERSAL
CONTACT 3.5 mm

Drwg. No. CU-120220-0204
Iss/rev E

X-ON Electronics

Largest Supplier of Electrical and Electronic Components

Click to view similar products for [Battery Contacts](#) category:

Click to view products by [ITT](#) manufacturer:

Other Similar products are found below :

[H-843](#) [3.5MM-UNIVERSAL-CONTACT](#) [4030](#) [120220-0310](#) [120220-0311](#) [101267-209](#) [009155003001013](#) [98285-1000](#) [0475070010](#) [72](#)
[1189](#) [120](#) [120220-0202](#) [120220-0206](#) [1241](#) [113](#) [118](#) [2199206-1](#) [2472](#) [118TR](#) [009155003101008](#) [120220-0204](#) [120TR](#) [2983](#) [117](#) [122TR](#)
[111](#) [120220-0312](#) [5330TR](#) [009155003741006](#) [122](#) [5331TR](#) [009155002741006](#) [498TR](#) [009155004741006](#) [556TR](#) [009155005741006](#)
[009155006741006](#) [70ADJ-2-FL1G](#) [70ADJ-3-FL1G](#) [1902937-1](#) [497](#) [5203](#) [5219](#) [5225](#) [550](#) [553](#) [555](#) [556](#) [202-02970-00518](#)