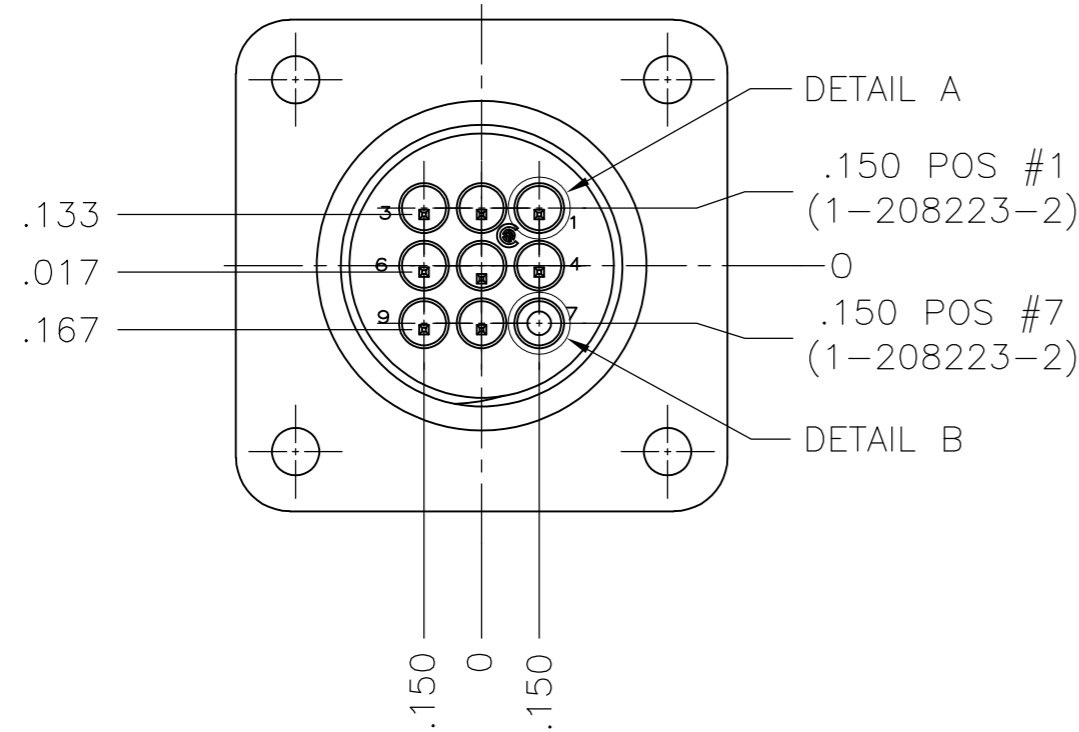
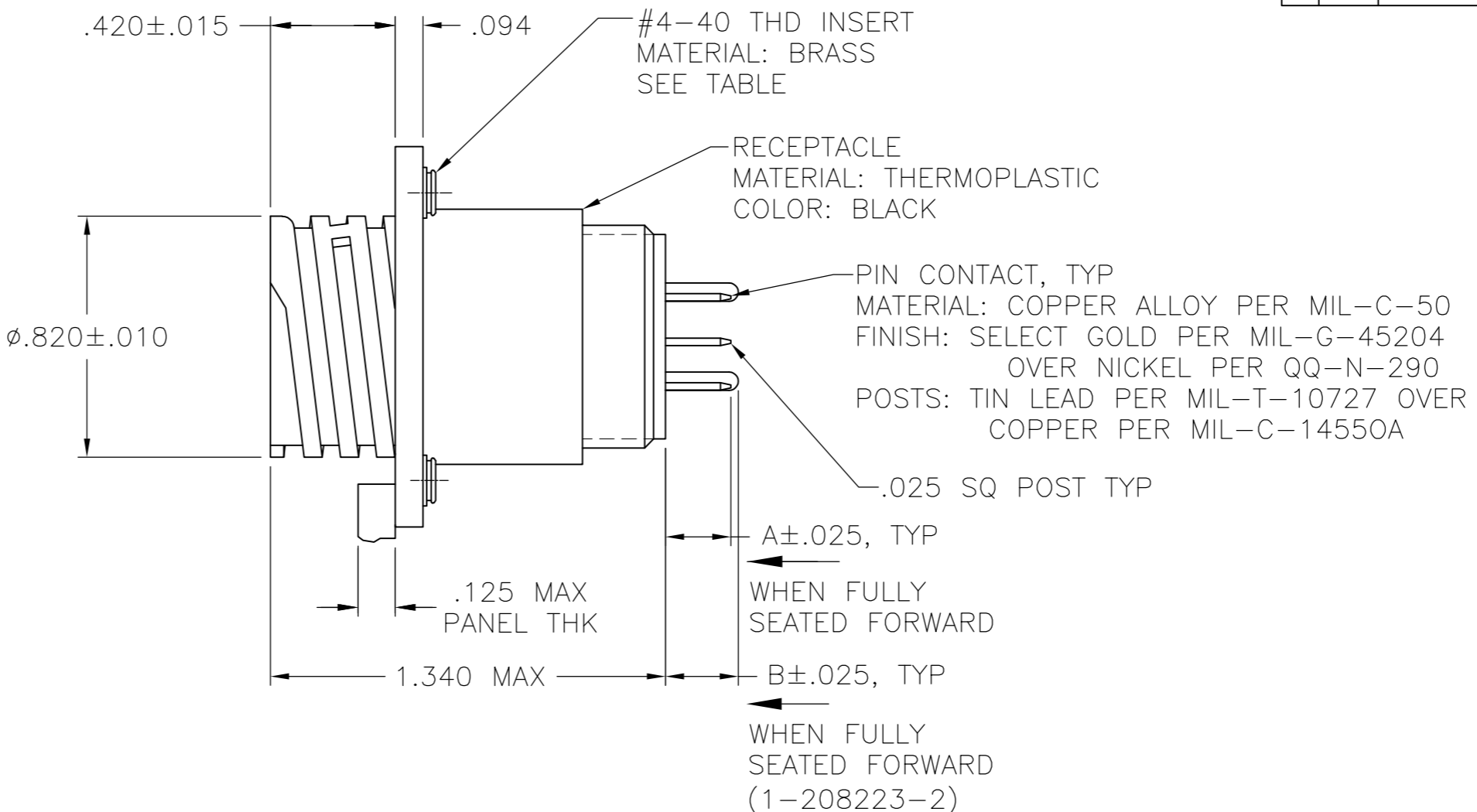
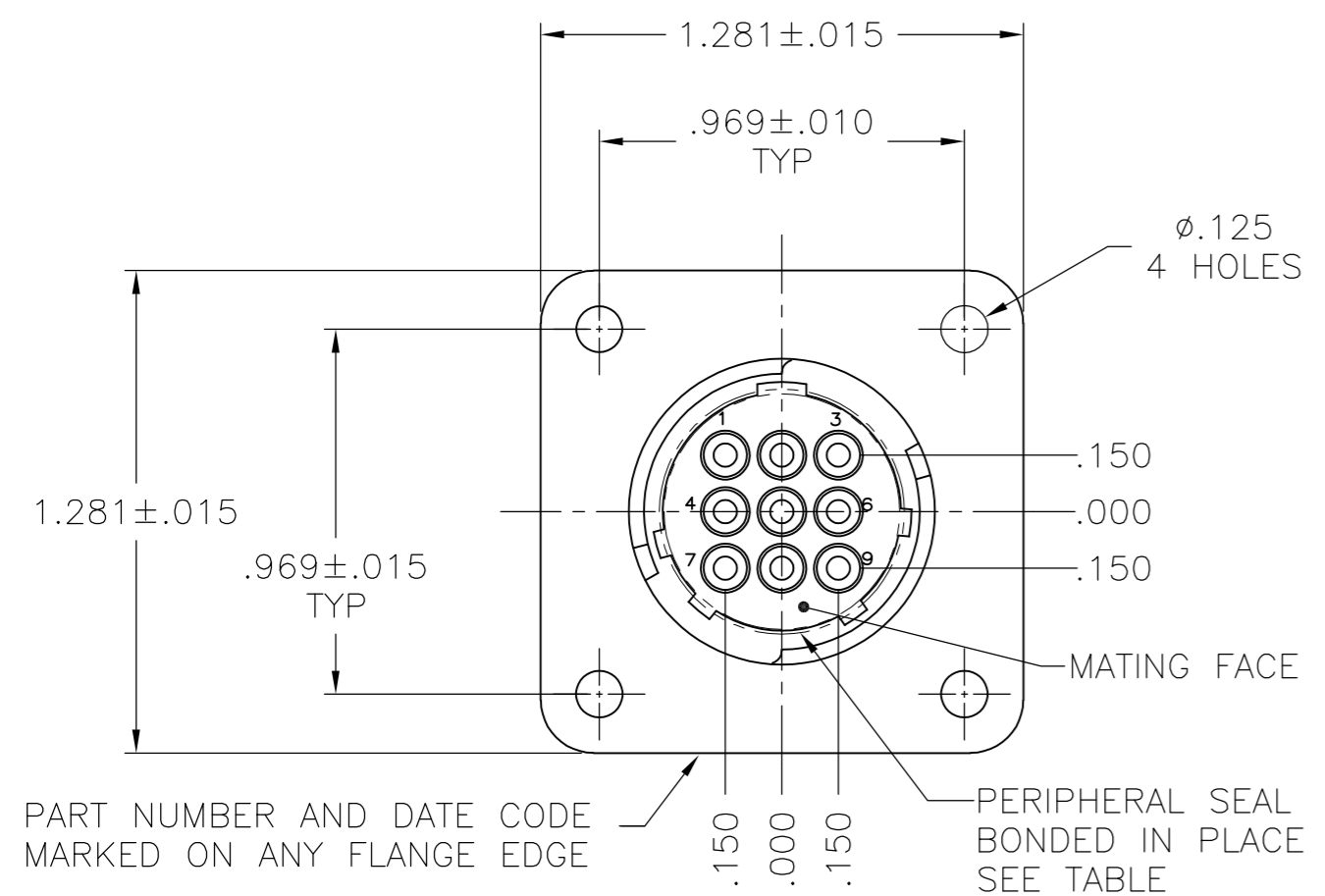
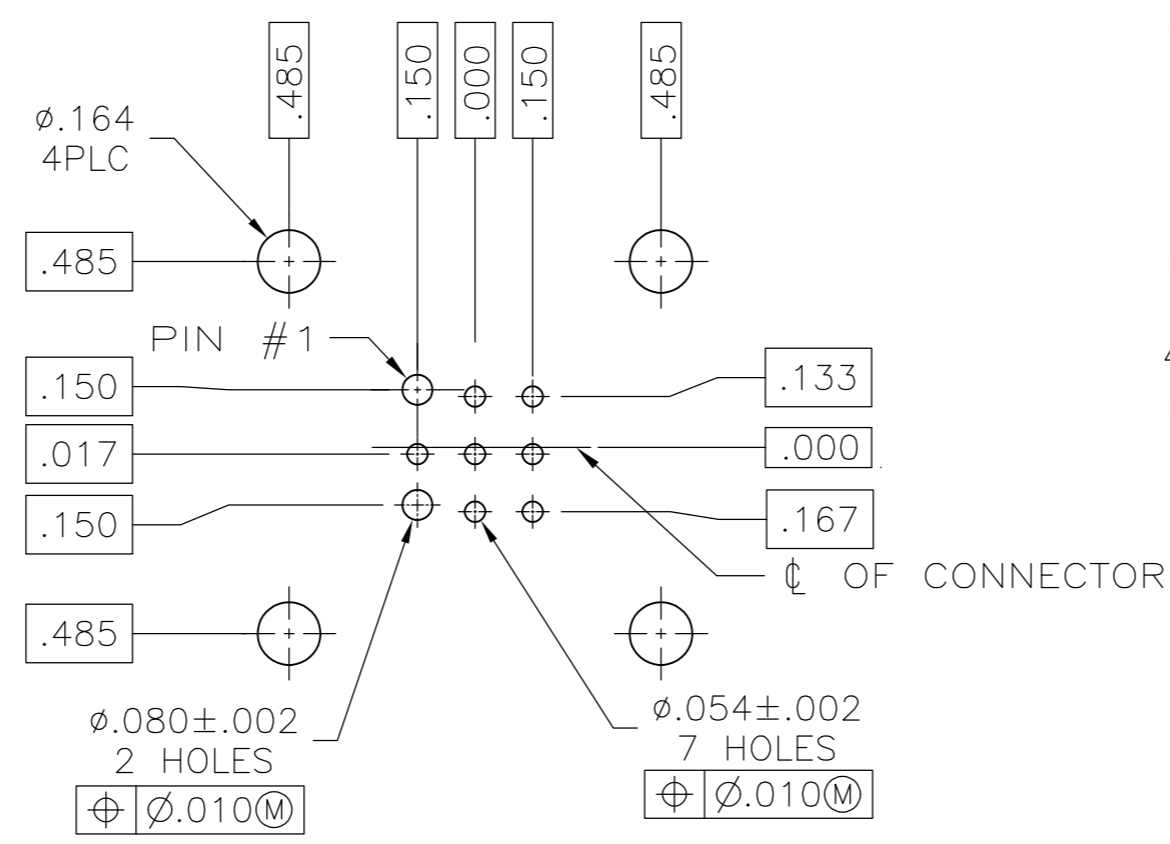
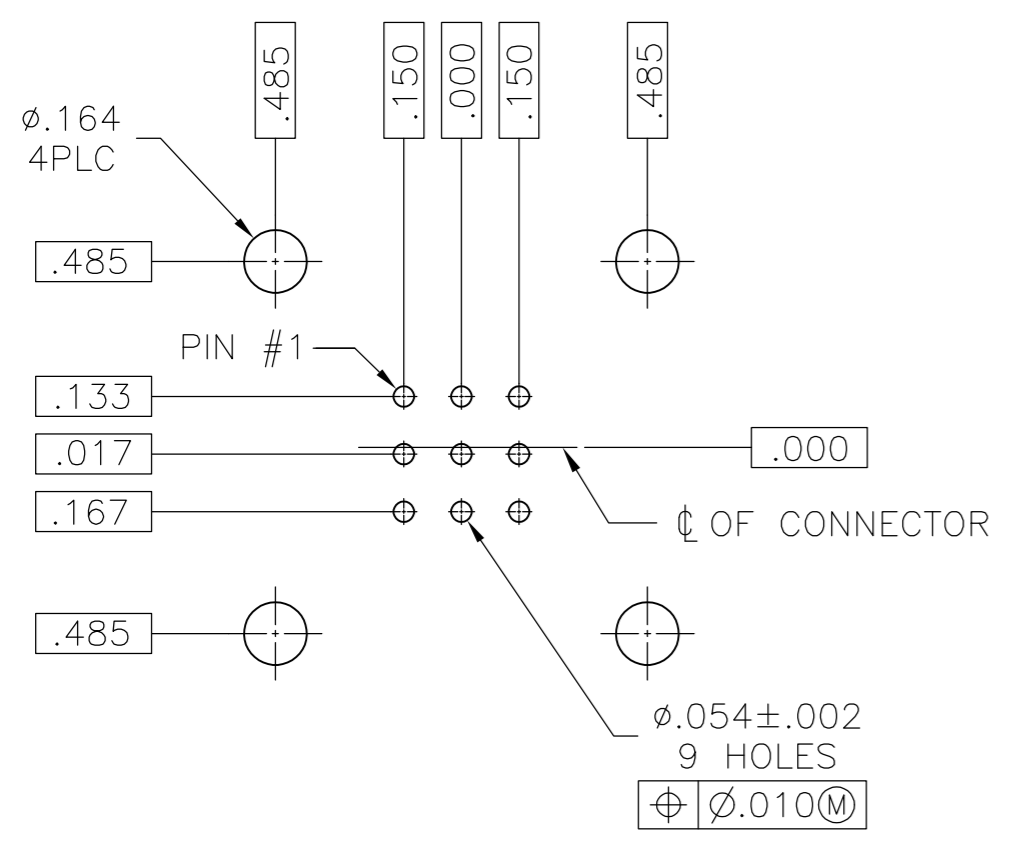


THIS DRAWING IS UNPUBLISHED. RELEASED FOR PUBLICATION  
 © COPYRIGHT - By - ALL RIGHTS RESERVED.

REVISIONS				
P	LTR	DESCRIPTION	DATE	APVD
U		REVISED PER ECO-16-009792	2JUL2016	NK MZ
V		REVISED PER ECO-17-004657	06APR2017	BDA MZ



- 1 1-66460-0 WILL BE SELECTIVELY LOADED INTO POSITIONS 2, 4, 6, 7, 9 AND 66464-3 WILL BE LOADED INTO POSITIONS 1, 3, 5, 8 OF THE HOUSING.
- 2 LOAD ALL POSITIONS EXCEPT POSITION NUMBER 4.
- 3 TIN PLATED CONTACTS.
- 4 194264-1 LOADED INTO POSITIONS 1 & 7.
- 5 OBSOLETE PARTS: OBSOLETE CIS STREAMLINING PER D.RENAUD/D.SINISI.



4	3	3	3	2	5	1				
OBSOLETE			.130	YES	YES		1-208223-3			
OBSOLETE			.245	.220	NO	YES	1-208223-2			
	3			.220	YES	YES	1-208223-1			
	3			.220	NO	YES	1-208223-0			
	3			.220	NO	NO	208223-9			
		OBSOLETE		.220	YES	NO	208223-8			
		OBSOLETE		.220	NO	NO	208223-7			
		OBSOLETE		.618	NO	YES	208223-6			
		OBSOLETE		.220	YES	YES	208223-5			
		OBSOLETE		.220	NO	NO	208223-4			
				.220	NO	YES	208223-3			
		OBSOLETE		.429	NO	NO	208223-2			
				.220	NO	NO	208223-1			
			B	A				PERIPHERAL SEAL	THREADED INSERTS	PART NUMBER

THIS DRAWING IS A CONTROLLED DOCUMENT. DWN R.LEE BG 6-22-91  
 CHK W.G.LENKER 4-14-92  
 APVD -  
 PRODUCT SPEC 108-10024  
 APPLICATION SPEC -  
 MATERIAL SEE CALLOUT FINISH SEE CALLOUT  
 WEIGHT -  
 CUSTOMER DRAWING

**TE** TE Connectivity  
 RECEPTACLE ASSEMBLY, POSTED, STD SEX, SERIES 1, 13-9, CPC  
 SIZE A2 CAGE CODE 00779 DRAWING NO C=208223 RESTRICTED TO -  
 SCALE 2:1 SHEET 1 of 1 REV V

## X-ON Electronics

Largest Supplier of Electrical and Electronic Components

*Click to view similar products for [Standard Circular Connector](#) category:*

*Click to view products by [TE Connectivity](#) manufacturer:*

Other Similar products are found below :

[C015](#) [10F006](#) [001](#) [1](#) [5M2530B10P](#) [600259N006](#) [600273N007](#) [600432N009](#) [6280-2PG-519](#) [6280-3PG-311](#) [6280-3SG-311](#) [6280-7SG-3DC](#)  
[6280-7SG-522](#) [6282-5PG-311](#) [6282-6PG-519](#) [6282-8SG-311](#) [6283-11](#) [6283-15](#) [6290](#) [6382-2PG-311](#) [6382-2PG-3DC](#) [6382-2SG-321](#) [6382-2SG-3DC](#) [6382-4SG-516](#) [67-03E20-37P](#) [681-PMG](#) [CXS3102A14S2P](#) [CXS3102A181S](#) [CXS3106A14S6S](#) [MB12P-1](#) [MB12R-6](#) [7251-2PG-300](#) [7251-2SG-300](#) [7251-4PG-300](#) [7251-4SG-300](#) [7251-5PG-300](#) [7251-5SG-300](#) [7251-6SG-300](#) [7251-7PG-300](#) [7251-8PG-300](#) [7271-6SG-300](#) [7282-3PG-300-CH3](#) [73000005663](#) [75-190216-08S](#) [75-190218-10P](#) [75-474118-10P](#) [75-474618-01S](#) [75-474620-07P](#) [799539-000](#) [MI8-SE](#) [80-190222-18P](#) [805-005-07NF11-19PC](#) [805-005-07NF15-7PA](#)