



© 2016 AFCl



Amphenol  
FCI



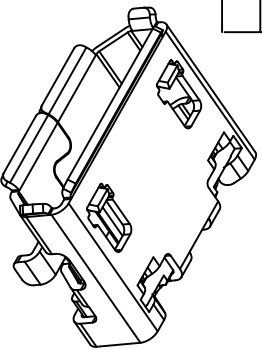
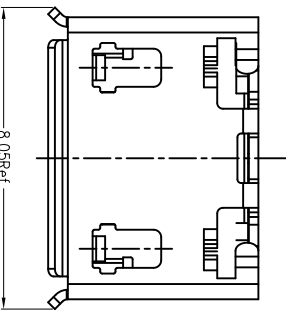
31



4

PART NUMBER  
10118194-0X0XLf

Item	Title	Q'TY
1	Shell	1
2	Terminal	5
3	Insert/Molding	1



PRODUCT NUMBER DESCRIPTION  
10118194- X X X X Lf

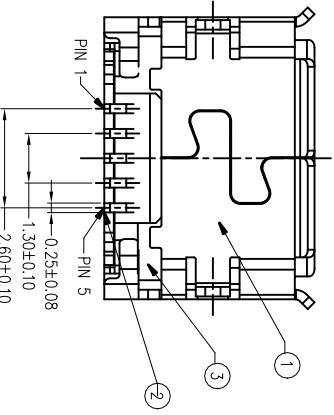
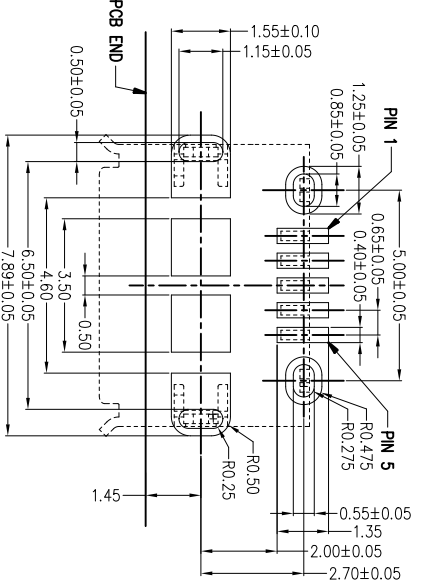
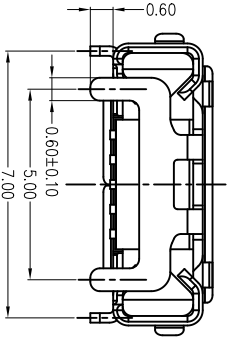
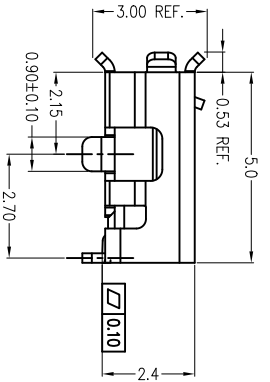
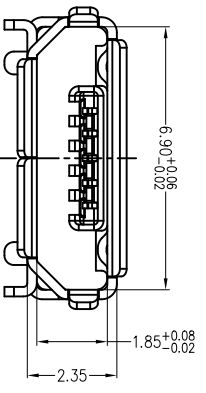
1-CONTACT AREA: 0.76um AU  
2-CONTACT AREA: GOLD FLASH

0-WITH FLANGE SEE SHEET 1  
0-WITHOUT FLANGE SEE SHEET 2

0-PLASTIC REEL

0-CARDBOARD REEL

0-COLD SEALING  
0-HOT SEALING



tr	ecn	no	dr	date	surface	tolerance	projection	product family
A	/	LS	10/21/11		ASME Y14.3	ASME Y14.5		HPL_511
B	EX-N-25001	LQ	3/11/16		tolerances unless otherwise specified		MM	MICRO USB B TYPE RECEPTACLE
C	EX-N-25008	LZ	9/29/16	X.F.Z.			scale: 1:1	
D	EX-N-27008	LZ	05/16/17	dr	JASON_JSHU	05/21/11		
				eng	JASON_JSHU	05/21/11		
				chr	JASON_JSHU	05/21/11		
				ppp	GARY_HSEH	05/21/11		

sheet	revision	type
1	D	Product Customer Drawing

form: A4mmXlc-2016-02-24

1

2

3

4

B

A

B

A

5



© 2016 AF CI



**Amphenol**  
**FCI**



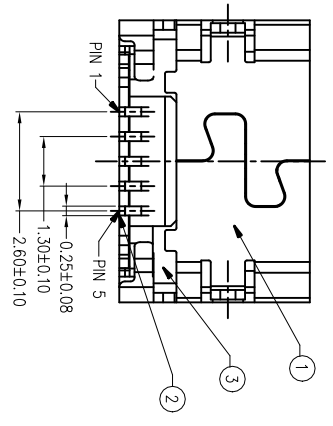
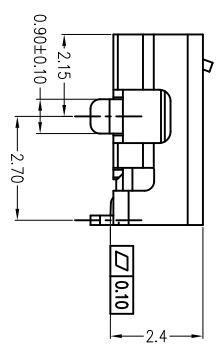
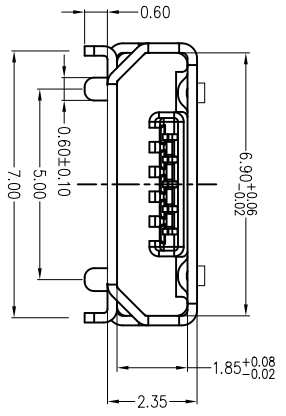
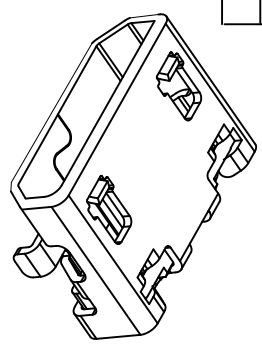
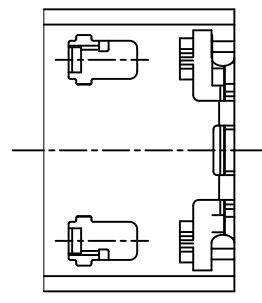
31



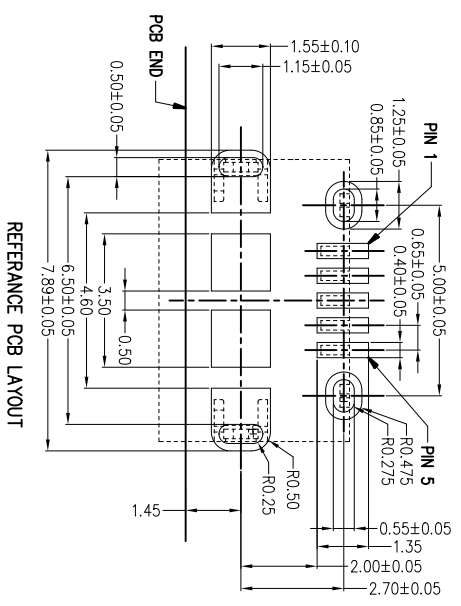
4

**PART NUMBER**  
10118194-0X1XLF

Item	Title	Q'TY
1	Shell	1
2	Terminal	5
3	InsertMolding	1



- NOTES:
- MATERIAL:  
HOUSING: HIGH THERMOPLASTIC RESIN, UL94V-0, COLOR: BLACK  
TERMINAL: COPPER ALLOY  
SHELL: STAINLESS WITH FLANGE OR WITHOUT FLANGE
  - FINISH:  
CONTACT AREA: SEE PRODUCT MEMBER DESCRIPTION  
CONTACT SOLDER AREA: GOLD FLASH  
SHELL: MATTE TIN PLATED
- TYPE
- UNDER NICKEL PLATED ALL OVER.
  - PRODUCT SPECIFICATION: GS-12-64I.
  - PACKAGING SPECIFICATION: GS-14-2180.
  - THE "LF" MEANS FOR LEAD FREE AND CAN WITHSTAND EXPOSE TO 260°C PEAK TEMPERATURE FOR 10 SECONDS IN IR REFLOW PROCESS.



B

form: A4mmXlc-2016-02-24

1

2

3

4

A

mat'l. code	surface	tolerance	projection	product family
tr	ASME Y14.3	ASME Y14.5	ASME Y14.3	HPL_511
D	tolerances unless otherwise specified		MM	MICRO USB B TYPE RECEPTACLE
	angle	X40.38		dwg no
	xxxx	.xxx±0.10	scale 1:1	10118194
	dr	JASON_JSU	05/21/11	sheet 2 of 2 size
	eng	JASON_JSU	05/21/11	A4
	chr	JASON_JSU	05/21/11	
	ppd	GARY_JSHH	05/21/11	
sheet	revision	D		
index	sheet	2		

5

B

## X-ON Electronics

Largest Supplier of Electrical and Electronic Components

*Click to view similar products for [Power to the Board](#) category:*

*Click to view products by [Amphenol](#) manufacturer:*

Other Similar products are found below :

[10131318-08512GRLF](#) [6450171-4](#) [6450552-7](#) [6600323-8](#) [6643429-1](#) [6646040-2](#) [6651939-1](#) [6766604-1](#) [120959-1](#) [1393557-2](#) [1393532-2](#)  
[1393532-3](#) [1393532-4](#) [1393557-1](#) [1600812-5](#) [1-6450861-2](#) [1645595-1](#) [1743490-1](#) [1744132-7](#) [1761122-1](#) [1766169-1](#) [1766250-1](#) [18362](#)  
[1892109-1](#) [1-967627-6](#) [2226808-1](#) [2-6450860-5](#) [2-6450860-6](#) [2-6450870-0](#) [93003-0502](#) [953552-1](#) [1-6450161-4](#) [1-6450850-6](#) [1645526-2](#) [1-](#)  
[6600130-0](#) [1743419-1](#) [1766150-1](#) [2005243-2](#) [211110-1](#) [2-6600130-2](#) [TE34-12-16P-F0](#) [5-6450830-6](#) [5646956-4](#) [36662-0005](#) [40585-3000](#) [4-](#)  
[6450830-9](#) [4-6600333-3](#) [51142-0214](#) [10134048-911LF](#) [10130248-005LF](#)