

REVISION Y

DO NOT SCALE FROM THIS PRINT

No. OF POS	"C"
-019	.950 [24.13]
-038	1.450 [36.83]
-057	1.950 [49.53]
-076	2.450 [62.23]
-095	2.950 [74.93]
-114	3.450 [87.63]
-133	3.950 [100.33]

No OF POSITIONS	COPLANARITY
-019, -038, -057, -076	.004[0.10]
-095, -114, -133	.006[0.15]

MIT-XXX-XX-X-D-XX

No OF POSITIONS  
-019, -038, -057, -076,  
\*\*-095, \*\*-114, \*\*-133  
(PER ROW)  
(\*\* = SEE NOTE 11)

LEAD STYLE

-01: .1680[4.267]  
-02: .2861[7.267]  
-03: .4042[10.267]  
-04: .6000[15.240]  
-05: .7080[17.983]  
-06: .8350[21.209]

OPTION

-K: POLYAMIDE FILM PAD  
(USE K-DOT-.276-.375-.005, SEE FIG 3, SHT 2)  
-TR: TAPE & REEL (076 POS MAX)  
(N/A ON STYLE -05, -06, -07 & -08)

ROW SPECIFICATION

-D: DOUBLE (USE MIT-19-XX-D-XX & MITH-19-XX-D-XX)

No OF BANKS

PLATING SPECIFICATION

-F: 3μ" FLASH SELECTIVE GOLD IN CONTACT AREA, MATTE TIN ON TAIL (USE T-1SXX-XX-F & T-1G5-XX-F) (SEE NOTE 10)  
-L: 10μ" LIGHT SELECTIVE GOLD IN CONTACT AREA, MATTE TIN ON TAIL (USE T-1SXX-XX-L & T-1G5-XX-L)  
-H: 30μ" HEAVY GOLD IN CONTACT AREA, 3μ" GOLD ON TAIL (USE T-1SXX-XX-H & T-1G5-XX-L)  
-C: 50μ" ELECTRO-POLISHED SELECTIVE GOLD IN CONTACT AREA, MATTE TIN ON TAIL (USE T-1SXX-XX-C & T-1G5-XX-L)

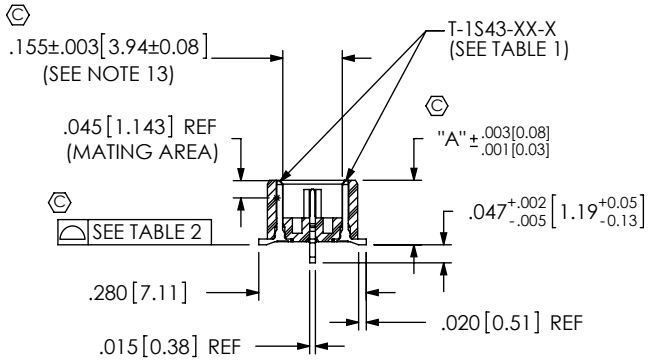
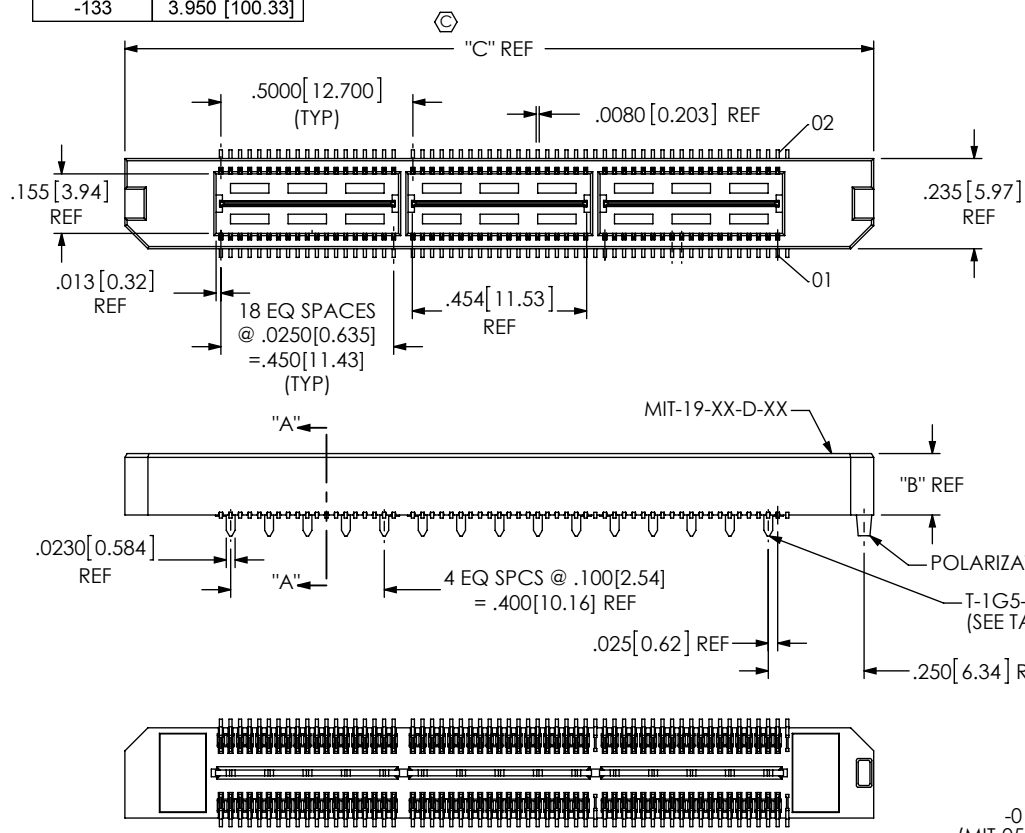


FIG 1  
-01 LEAD STYLE  
(MIT-057-01-X-D SHOWN)  
(STYLE -01 & -02 ONLY)

STYLE	"A"	"B"	"D"	BODY	TERMINAL	GROUND PLANE	SPACER	MATED HEIGHT WITH MIS-01
-01	.1680[4.267]	.1600[4.064]	N/A	MIT-19-01-D-XX	T-1S43-01-X	T-1G5-01-X	N/A	.198[5.03] REF
-02	.2861[7.267]	.2781[7.064]	N/A	MIT-19-02-D-XX	T-1S43-02-X	T-1G5-02-X	N/A	.316[8.03] REF
-03	.4042[10.267]	.3962[10.063]	0.1180[2.997]	MIT-19-02-D-XX	T-1S50-03-X	T-1G5-03-X	MITH-19-01-D-XX	.434[11.02] REF
-04	.6000[15.240]	.5920[15.037]	0.1180[2.997]	MIT-19-02-D-XX	T-1S50-04-X	T-1G5-04-X	MITH-19-01-D-XX	.630[16.00] REF
-05	.7080[17.983]	.7000[17.780]	0.2780[7.061]	MIT-19-02-D-XX	T-1S50-05-X	T-1G5-05-X	MITH-19-02-D-XX	.738[18.75] REF
-06	.8350[21.209]	.8270[21.006]	0.2780[7.061]	MIT-19-02-D-XX	T-1S50-06-X	T-1G5-06-X	MITH-19-02-D-XX	.866[22.00] REF

- NOTES:
1. Ⓢ REPRESENTS A CRITICAL DIMENSION.
  2. COPLANARITY: SEE TABLE 2.
  3. MAXIMUM BURR ALLOWANCE: .0015[0.038].
  4. MINIMUM TERMINAL RETENTION: 8 OZ.
  5. MINIMUM GROUND PLANE RETENTION: 1 LB.
  6. MAXIMUM ALLOWABLE BOW: .002[0.05] INCH/INCH AFTER ASSEMBLY.
  7. PARTS TO BE MOLDED TO POSITION.
  8. NOTE DELETED.
  9. NOTE DELETED.
  10. -L PLATING CAN BE SUBSTITUTED FOR -F PLATING, -L PLATED GROUND PLANE CAN BE SUBSTITUTED FOR -F PLATED GROUND PLANE.
  11. APPLICATIONS REQUIRING THESE POSITIONS, PLEASE CONTACT SAMTEC INTERCONNECT PROCESSING GROUP.
  12. PARTS TO BE PACKAGED IN TRAYS.
  13. PIN CAN EXTEND PAST WALL .003[0.08] MAX.

UNLESS OTHERWISE SPECIFIED, DIMENSIONS ARE IN INCHES. TOLERANCES ARE: DECIMALS ANGLES .XX: ±.01[.3] ± 2° .XXX: ±.005[.13] .XXXX: ±.0020[.051]

PROPRIETARY NOTE THIS DOCUMENT CONTAINS INFORMATION CONFIDENTIAL AND PROPRIETARY TO SAMTEC, INC. AND SHALL NOT BE REPRODUCED OR TRANSFERRED TO OTHER DOCUMENTS OR DISCLOSED TO OTHERS OR USED FOR ANY PURPOSE OTHER THAN THAT WHICH IT WAS OBTAINED WITHOUT THE EXPRESSED WRITTEN CONSENT OF SAMTEC, INC.

MATERIAL: DO NOT SCALE DRAWING SHEET SCALE: 2:1 INSULATOR: LCP, UL94V-0; COLOR: BLACK TERMINAL: PHOS BRONZE GROUND PLANE: PHOS BRONZE

F:\DWG\MISC\MKTG\MIT-XXX-XX-X-D-XX-MKT.SLDDRW

**samtec**

520 PARK EAST BLVD, NEW ALBANY, IN 47150  
PHONE: 812-944-6733 FAX: 812-948-5047  
e-Mail: info@SAMTEC.com code: 55322

DESCRIPTION: .635mm DOUBLE ROW HS TERMINAL ASSEMBLY

DWG. NO. MIT-XXX-XX-X-D-XX

BY: DEAN P 7/7/1999 SHEET 1 OF 2

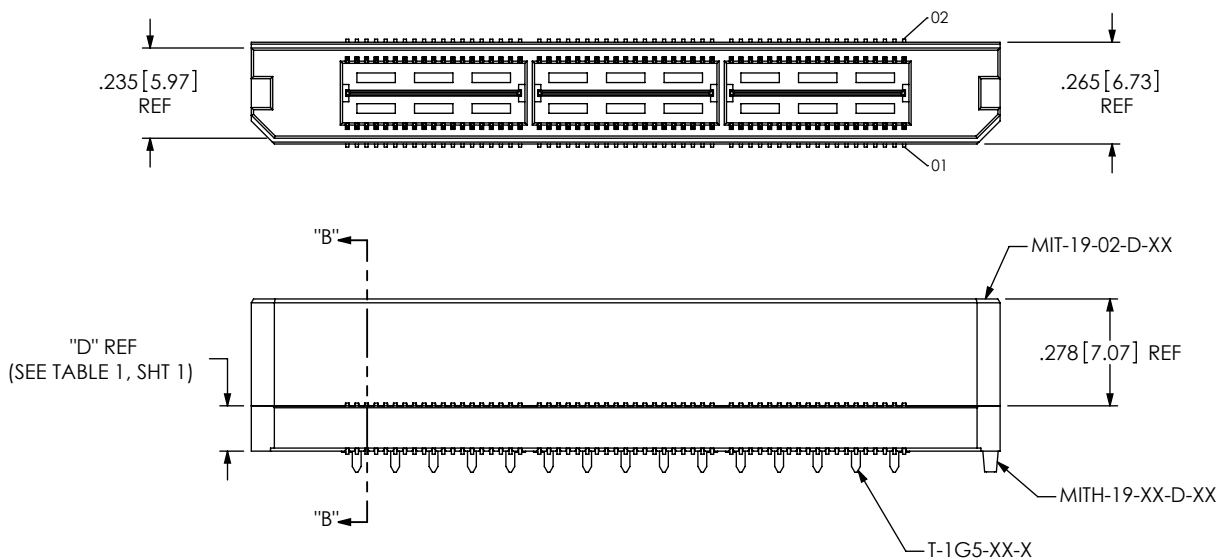
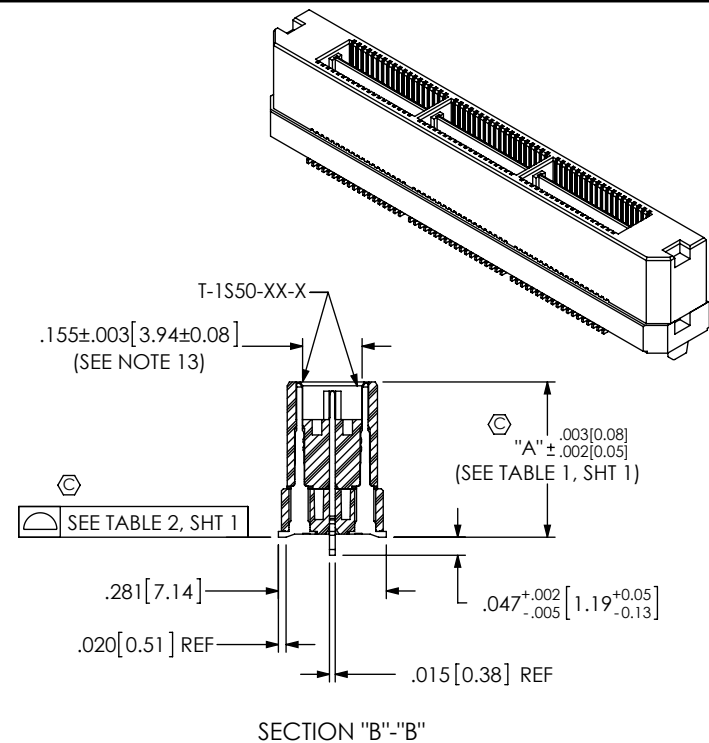


FIG 2  
-03 LEAD STYLE  
(MIT-057-03-X-D SHOWN)  
(DIFFERENT AS SHOWN, OTHERWISE SAME AS FIG 1)  
(STYLE -03, -04, -05, & -06)



SECTION "B"-"B"

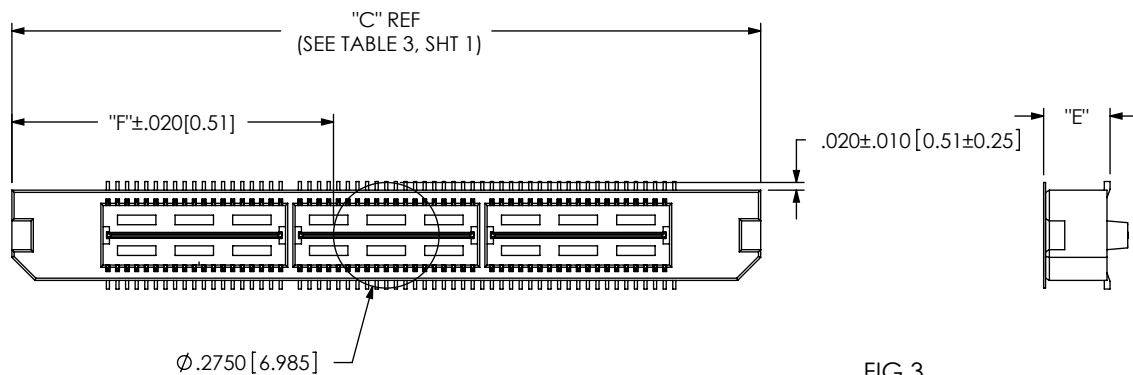


FIG 3  
-K: POLYAMIDE FILM PAD OPTION

TABLE 4	
STYLE	"E"
-01	.173 [4.39]
-02	.291 [7.39]
-03	.409 [10.39]
-04	.605 [15.37]
-05	.713 [18.11]
-06	.841 [21.36]

TABLE 5	
No. OF POS	"F"
-019	.338 [8.57]
-038	.588 [14.92]
-057	.838 [21.27]
-076	1.088 [27.62]
-095	1.338 [33.97]
-114	1.588 [40.32]
-133	1.838 [46.67]

CRITICAL DIMENSION INSPECTION INSTRUCTION TABLE

ASSEMBLY OPERATION	IN PROCESS INSPECTION
FILL T-1SXX	C1, C2, C3, C4, C5, C6
ADD -K OPTION	C7, C8

PROPRIETARY NOTE

THIS DOCUMENT CONTAINS INFORMATION CONFIDENTIAL AND PROPRIETARY TO SAMTEC, INC. AND SHALL NOT BE REPRODUCED OR TRANSFERRED TO OTHER DOCUMENTS OR DISCLOSED TO OTHERS OR USED FOR ANY PURPOSE OTHER THAN THAT WHICH IT WAS OBTAINED WITHOUT THE EXPRESSED WRITTEN CONSENT OF SAMTEC, INC.

DO NOT SCALE DRAWING

SHEET SCALE: 2:1



520 PARK EAST BLVD, NEW ALBANY, IN 47150  
PHONE: 812-944-6733 FAX: 812-948-5047  
e-Mail: info@SAMTEC.com code: 53322

DESCRIPTION:  
.635mm DOUBLE ROW HS TERMINAL ASSEMBLY

DWG. NO.  
MIT-XXX-XX-X-D-XX

BY: DEAN P 7/7/1999 SHEET 2 OF 2

## X-ON Electronics

Largest Supplier of Electrical and Electronic Components

*Click to view similar products for [Board to Board & Mezzanine Connectors](#) category:*

*Click to view products by [Samtec](#) manufacturer:*

Other Similar products are found below :

[10135583-642402LF](#) [89885-310LF](#) [589158040000018](#) [6-1393048-0](#) [68683-613](#) [MDF7-12DP-2.54DSA](#) [MDF7-18P-2.54DSA\(01\)](#) [MDF7-20DP-2.54DSA](#) [MDF7-26D-2.54DSA\(55\)](#) [MDF7-3P-2.54DSA\(01\)](#) [MDF7B-3P-2.54DSA\(55\)](#) [MDF7C-11P-2.54DSA\(55\)](#) [MDF7C-18P-2.54DSA\(55\)](#) [MDF7C-5P-2.54DSA\(01\)](#) [MDF7P-5P-2.54DSA\(55\)](#) [75234-0516](#) [FCN-230C068-11](#) [FCN-268F012-G/BD](#) [FCN-268F036-G/BD](#) [FCN-268M012-G/0D](#) [FCN-268M024-G/1D](#) [FCN-360C008-C](#) [FCN-360C040-C](#) [FCN-723J004/1](#) [MIS-048-01-F-D-DP-K](#) [832-10-034-10-001000](#) [93696-325LF](#) [11828-1FA](#) [AXK630345P](#) [18097-0013](#) [ICA-328STT](#) [2007042-2](#) [304400-2](#) [FCN-214Q030-G/0](#) [FCN-215Q040-G/0](#) [FCN-230C068-ESA](#) [FCN-234P048-G/0](#) [FCN-235D050-G/C](#) [FCN-360A3](#) [FCN-360C040-B](#) [210-93-314-41-105000](#) [2-22603-0](#) [379-064-521-202](#) [MDF7-12P-2.54DSA\(01\)](#) [MDF7-16P-2.54DS\(56\)](#) [MDF7-40DP-2.54DSA\(55\)](#) [MDF7-8P-2.54DSA\(55\)](#) [MDF7B-16P-2.54DSA\(55\)](#) [AXG720047](#) [5031084030](#)