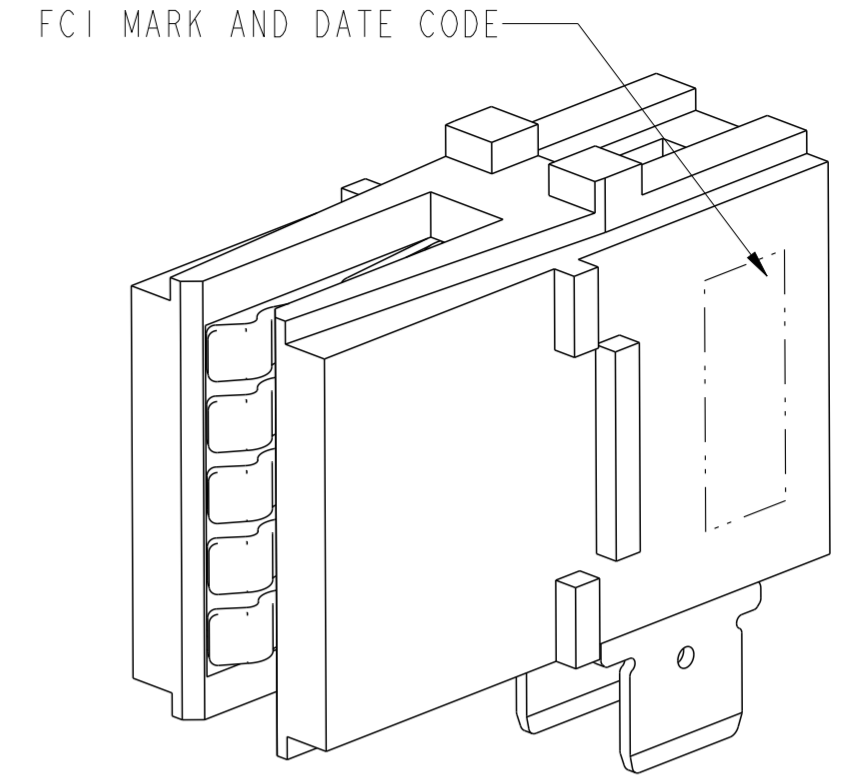
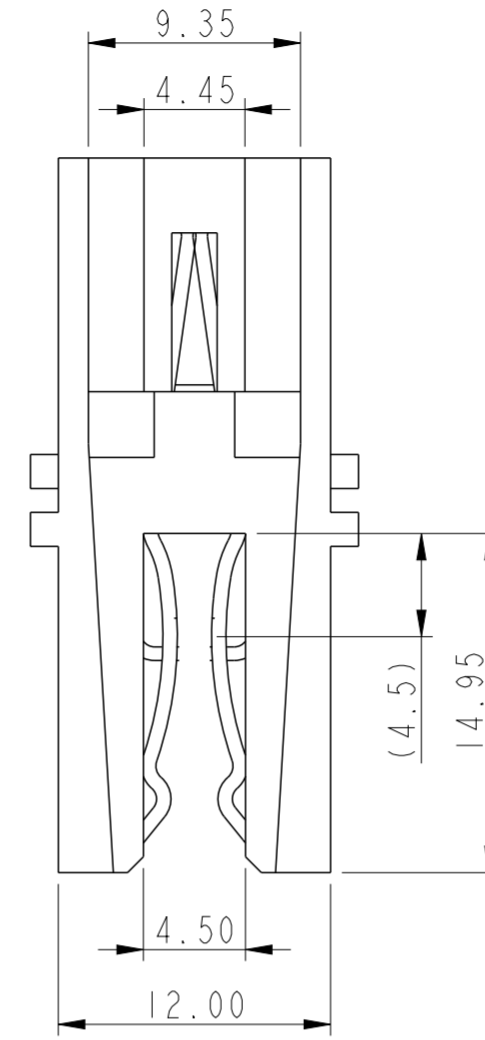
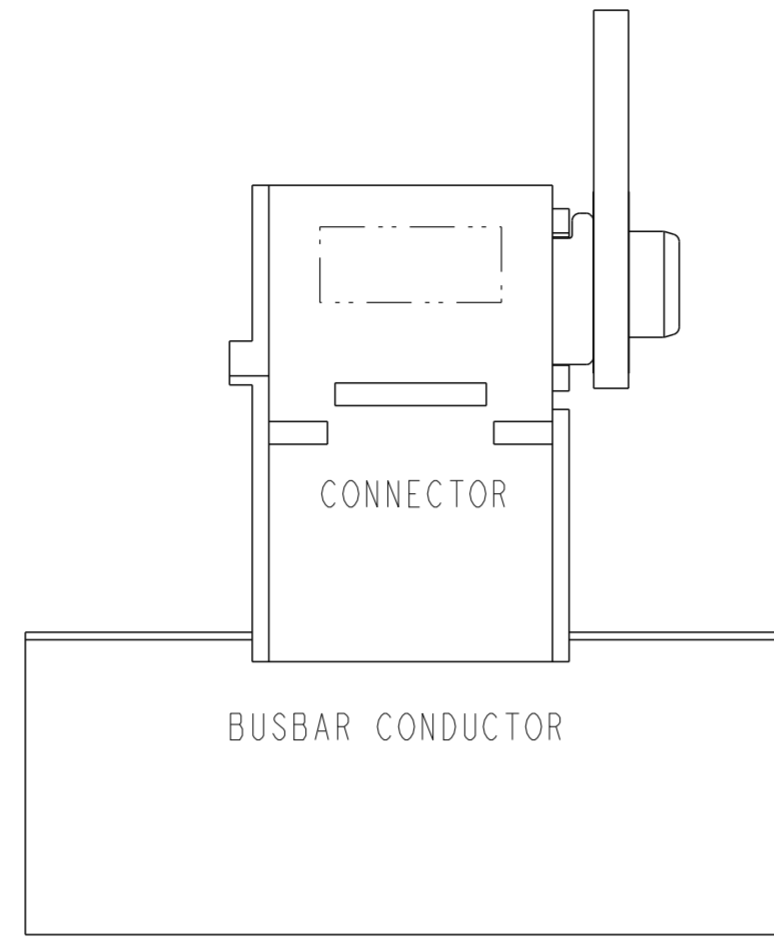
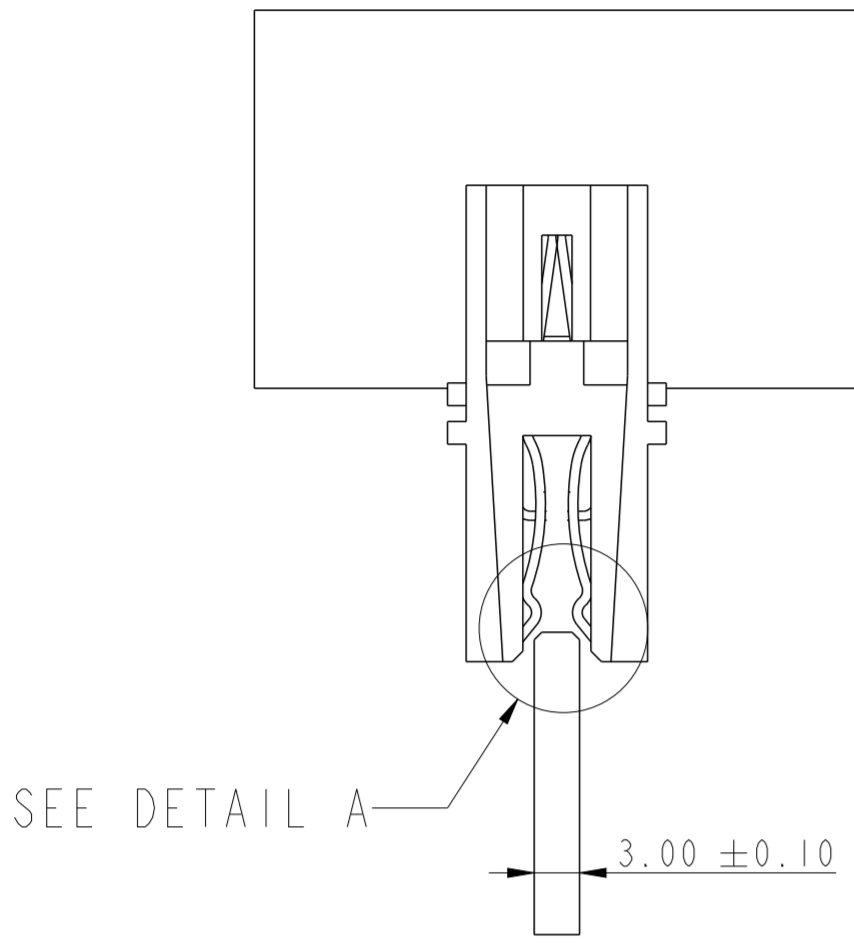
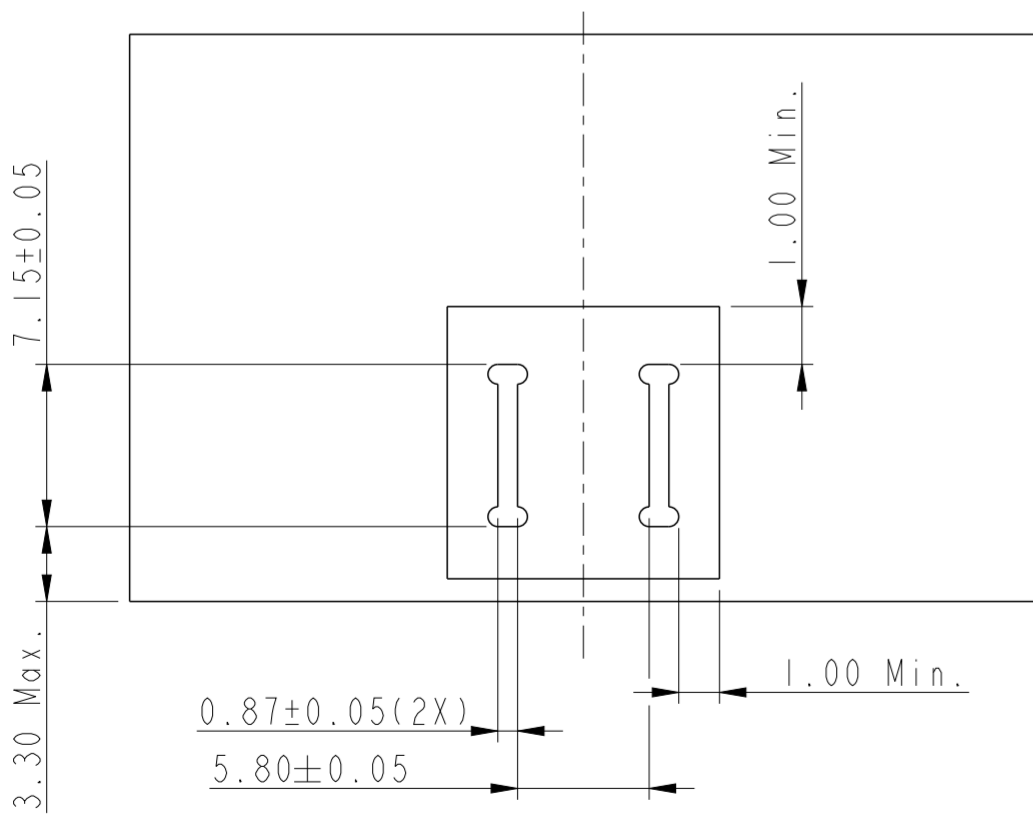
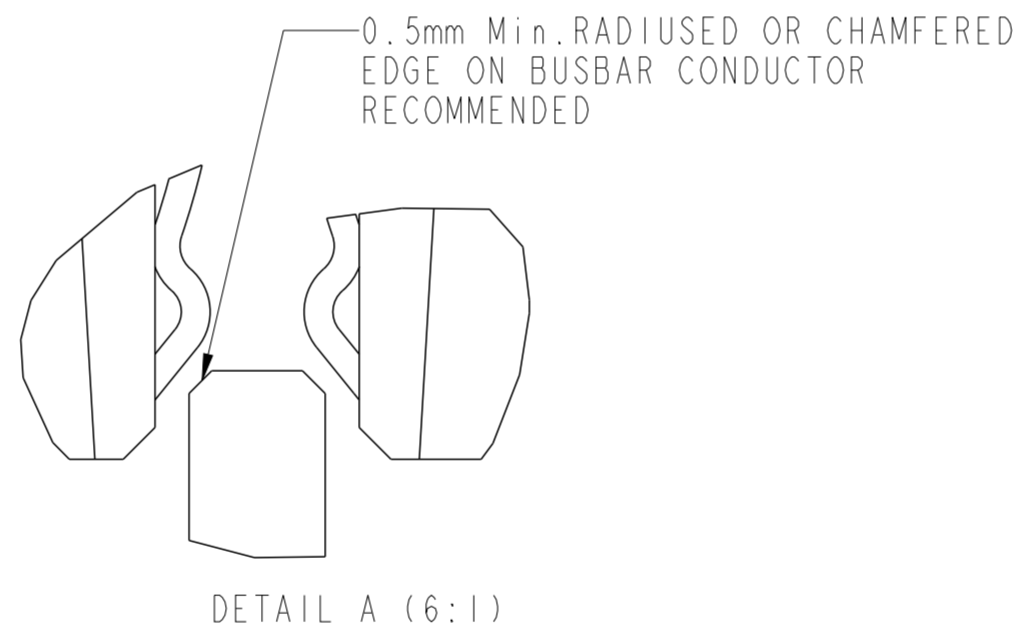


PRODUCT NUMBER	DESCRIPTION(PLATING)	Dim. A	Dim. B	PCB THICKNESS
10125600-S01LF	CONTACT AREA:AGT PLATING-3.0um SILVER OVER 1.27um NICKEL	5.68	2.70	4.80 Max.
10125600-S02LF	CONTACT AREA:AGT PLATING-3.0um SILVER OVER 1.27um NICKEL	4.40	4.00	2.00 Max.



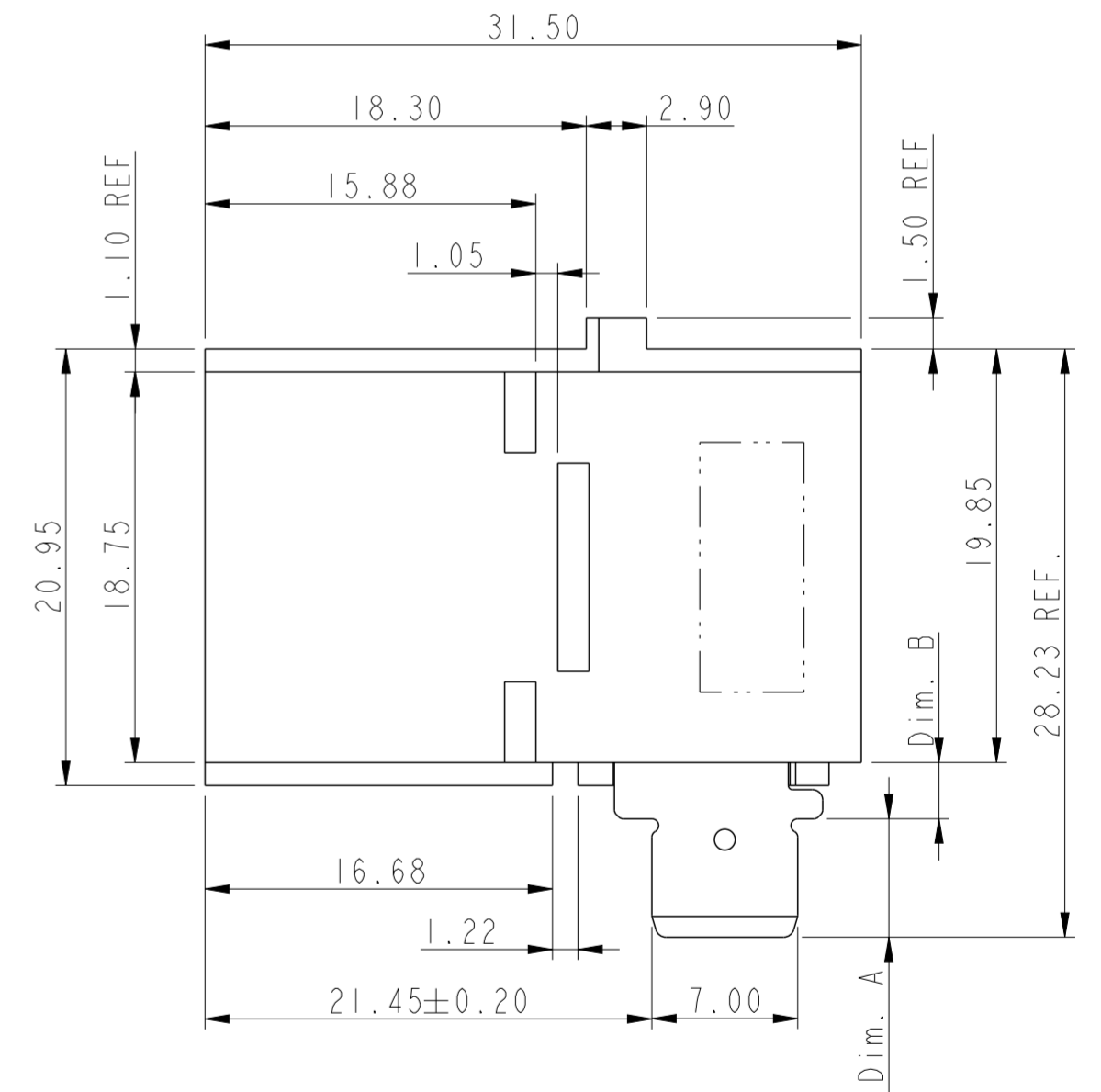
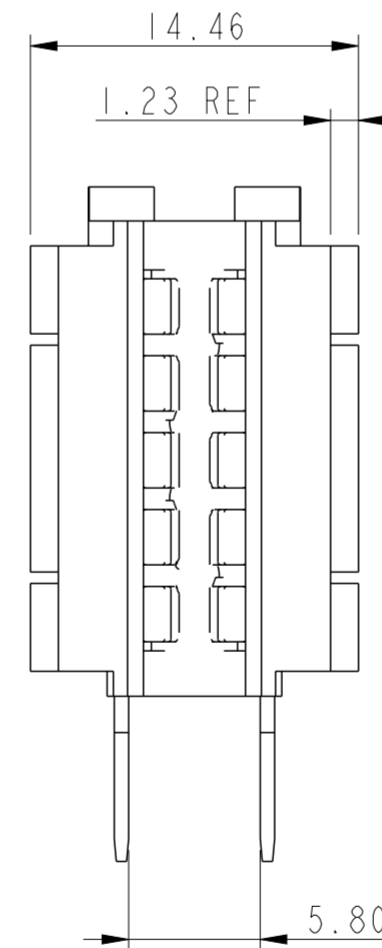
PCB AND BUSBAR-CONDUCTOR
IN THESE VIEWS ARE SHOWN FOR REFERENCE ONLY.



RECOMMENDED PCB LAYOUT
THICKNESS 4.8mm Max.

NOTES:

- CONNECTOR HOUSING:
HIGH TEMPERATURE THERMOPLASTIC GLASS FILLED, UL 94V-0
TERMINALS: COPPER ALLOY
- THE HOUSING WILL WITHSTAND EXPOSURE TO 260°C PEAK TEMPERATURE FOR 10 SECOND IN A WAVE SOLDER APPLANTION WITH CIRCUIT BOARD.
- FINISHES:
SEE PRODUCT NUMBER
- PRODUCT SPECIFICATION: GS-12-1179
APPLICATION SPECIFICATION: GS-20-0396
PACKING SPECIFICATION: GS-14-2376
- THE CONNECTOR MUST BE SUPPORTED WITH A FIXTURE DURING WAVE SOLDERING PROCESS



spec ref	-	dr	Zhao Peter	2013/06/20	projection	MM	size	A2	scale	3:1	
tolerance std	ISO 406 ISO 1101	eng	Jacklin Zou	2017/06/22		← →	ecn no	ELX-DG-27194-1			
surface	-	chr	-	appr			Pei-Ming Zheng	2017/06/28	product family	rel level	Released
linear	0.X ±0.30 0.XX ±0.25 0.XXX ±0.10	Amphenol FCI		Title		Solder Tab		dwg no	10125600		
angular	0° ±2°	www.fci.com		Barklip R/A CONNECTOR		cat. no.		Product - Customer Drw		rev	D

X-ON Electronics

Largest Supplier of Electrical and Electronic Components

Click to view similar products for [Heavy Duty Power Connectors](#) category:

Click to view products by [Amphenol](#) manufacturer:

Other Similar products are found below :

[1424439](#) [1424438](#) [09330062652](#) [2-8675P1](#) [605601-1](#) [6340G1](#) [6341G1](#) [6360G1](#) [6373G1](#) [6374g2](#) [6396G1](#) [647757-1](#) [66394-4](#) [6643411-1](#)
[6646058-2](#) [6646137-1](#) [6646138-1](#) [6646348-1](#) [6646479-1](#) [6646608-1](#) [6646786-1](#) [6646940-1](#) [6651091-1](#) [6651525-1](#) [6651529-1](#) [6651778-1](#)
[6651788-1](#) [696465-1](#) [696475-1](#) [73000005059](#) [73000005349](#) [73000005642](#) [73080255059](#) [73080965046](#) [765-15-0080A](#) [765-16-0080B](#)
[789.700-44](#) [789.700-54](#) [80-1010](#) [80-9](#) [827381-1](#) [829992-1](#) [902-77-02113](#) [PL00U-301-10D10](#) [PM103MOOLOO](#) [PM16S1620S32-50](#)
[PM212MOOLOO](#) [PM309FOOLOO](#) [PM324FOOLCH](#) [PMHPAF11S03](#)