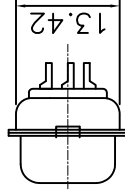
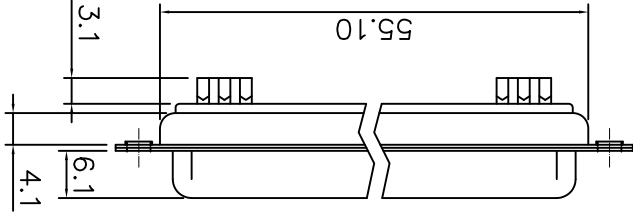
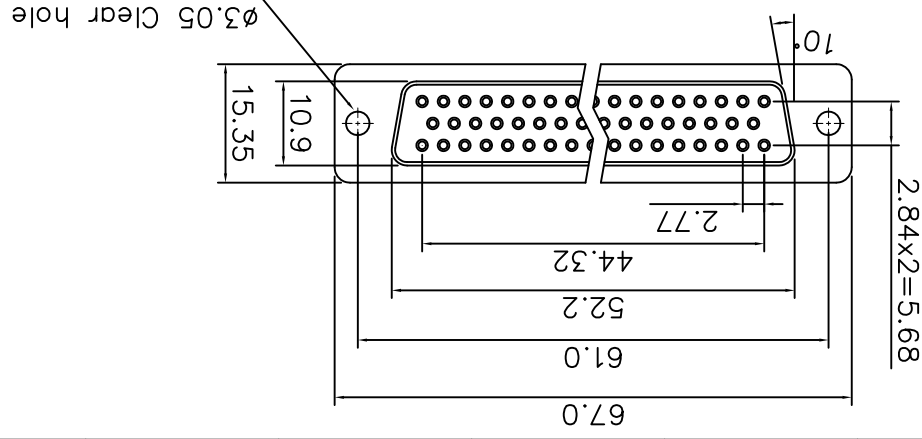
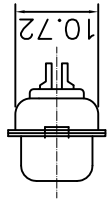
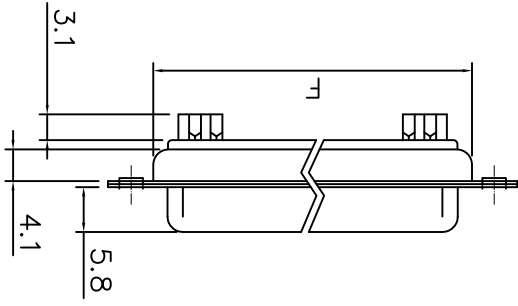
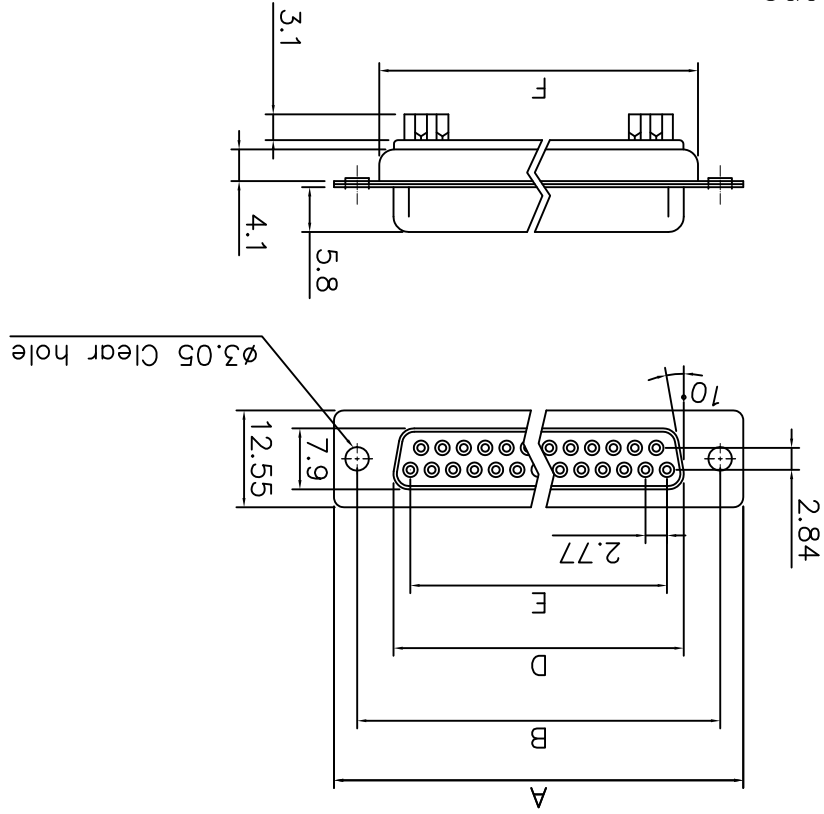


This document is the property of Amphenol Corporation and is delivered on the express condition that it is not to be disclosed, reproduced or used, in whole or in part, for manufacture or sale by anyone other than Amphenol Corporation without its prior consent, & that no right is granted to disclose or to use any information in this document.

# Customer drawing

Positions	A	B	D	E	F
9	30.81	24.99	16.33	11.08	19.20
15	39.20	33.30	24.70	19.39	27.70
25	53.05	47.04	38.40	33.24	41.10
37	69.40	63.50	54.80	49.86	57.30



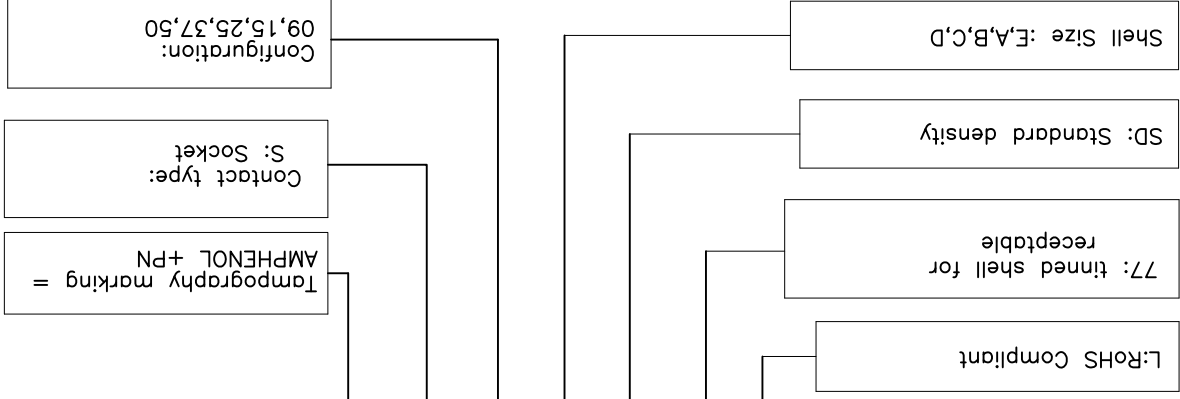
50 Positions

Same with L77SDXXXSR208



## PRODUCT CODE

L 77 SD X XX S R210



## D-SUB TECHNICAL DATA

**SHELL :** Steel, 100u" Tin over 50u" nickel over 50u" min Copper  
**BODY :** Glass-filled Thermoplastic PBT, UL94V-0,Black  
**CONTACTS :** Copper Alloy  
**ELECTRICAL :** Voltage rating 250 VAC/RMS 60HZ  
 Current Rating 3 AMP  
 Withstanding Voltage 1000 VAC/RMS 60HZ  
 Insulation resistance >1000 M Ohms  
 Contact resistance 20 mOhms  
**MARKING :** Amphenol...(Series No.)  
 Commercial reference  
 Manufacturing date

REVISIONS			
SYM	ECN	DESCRIPTION	DATE
1	HK--	First Release Drawing	12/29/14
			IP

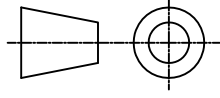
UNLESS OTHERWISE SPECIFIED  
 TOLERANCES  
 u.s. METRIC

X. +/-.038  
 X. +/-.025  
 .XX +/-.013

FRACTIONS +/-.010  
 ANGLES X +/-.5  
 FOR MATERIALS AND FINISHES  
 SEE NOTES

REMOVE SHARP EDGES  
 DIMENSIONS  
 U.S. INCHES  
 METRIC MM

ANGLE OF PROJECTION



DRAWING FILE :

CHECKED Tony Tang 12/29/14

APPROVAL DATE

Amphenol

Amphenol East Asia Limited

TITLE

D-Sub connector,Solder type

SIZE DRAWING NO.

L77SDXXXSR210

REV.

SCALE

NONE

SHEET 1 OF 1

## X-ON Electronics

Largest Supplier of Electrical and Electronic Components

*Click to view similar products for [D-Sub Standard Connectors](#) category:*

*Click to view products by [Amphenol](#) manufacturer:*

Other Similar products are found below :

[DCM37S732N](#) [DAM15P500](#) [DEV09S364GTLF](#) [DEM09P032N](#) [DDM50P732N](#) [DAM15S332N](#) [173109-2218](#) [173109-2466](#) [173109-2436](#)  
[173109-2435](#) [56F706-005-LI](#) [56F711-015](#) [015-0341-000](#) [015-0372-008](#) [015-8544-011](#) [017041-0005](#) [020419-0104](#) [012-0515-000](#) [012-9507-](#)  
[034](#) [012-9507-114](#) [012-9534-001](#) [020745-0008](#) [609-25P](#) [M24308/2-23Z](#) [M243082310F](#) [M243082410F](#) [M243082411F](#) [M24308/4-21](#)  
[CT1A18-11PSA206](#) [CT1N36-5SC](#) [CT2-16S-17PS](#) [CT2-20-15PCAU](#) [CT2-24-12PS](#) [CT2-24-28PSF127A206](#) [CT2-32-9PC](#) [CT6F9767-14-4-](#)  
[14S-5PC](#) [CT6FA10SL-4PS](#) [CT7-18-10SC](#) [CT7-18-10SCAU](#) [CT7-18-12SCAU](#) [CT7-18-1PC](#) [CT7-18-1PCAU](#) [CT7-18-21SCAU](#) [M83513/01-](#)  
[FC](#) [M83723/76W24619 L/C](#) [M85049/48-3-2F](#) [69001-865](#) [6STD09PCM99B70X](#) [6STD09SCM99B30X](#) [6STD09SCT99S40X](#)