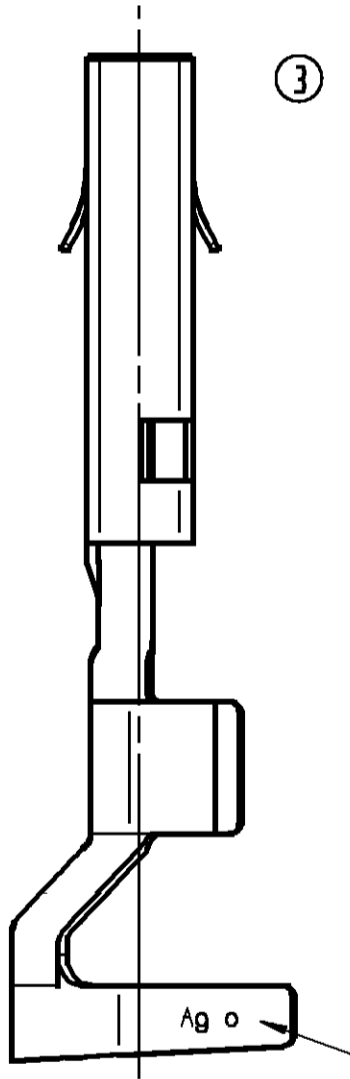
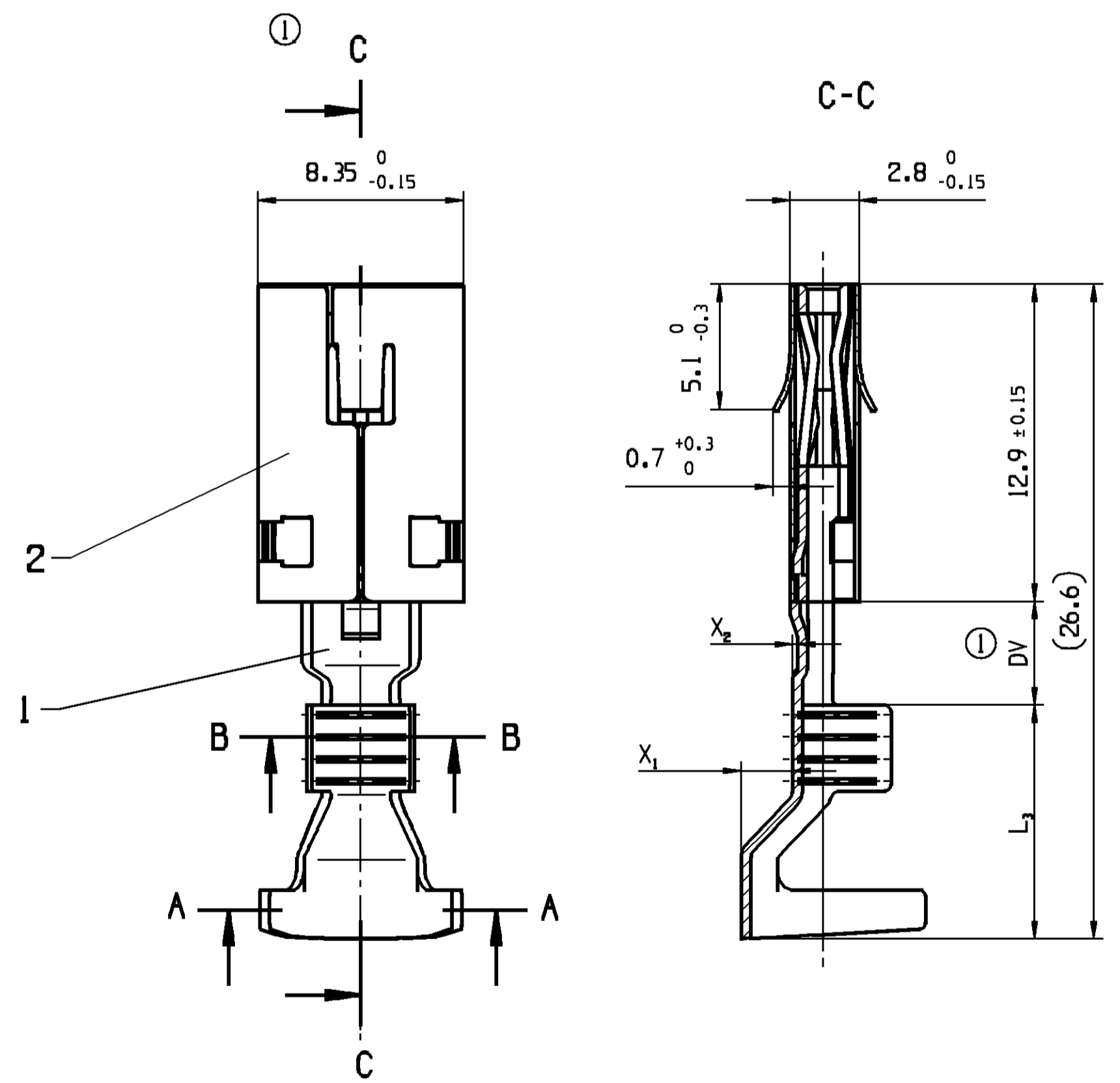
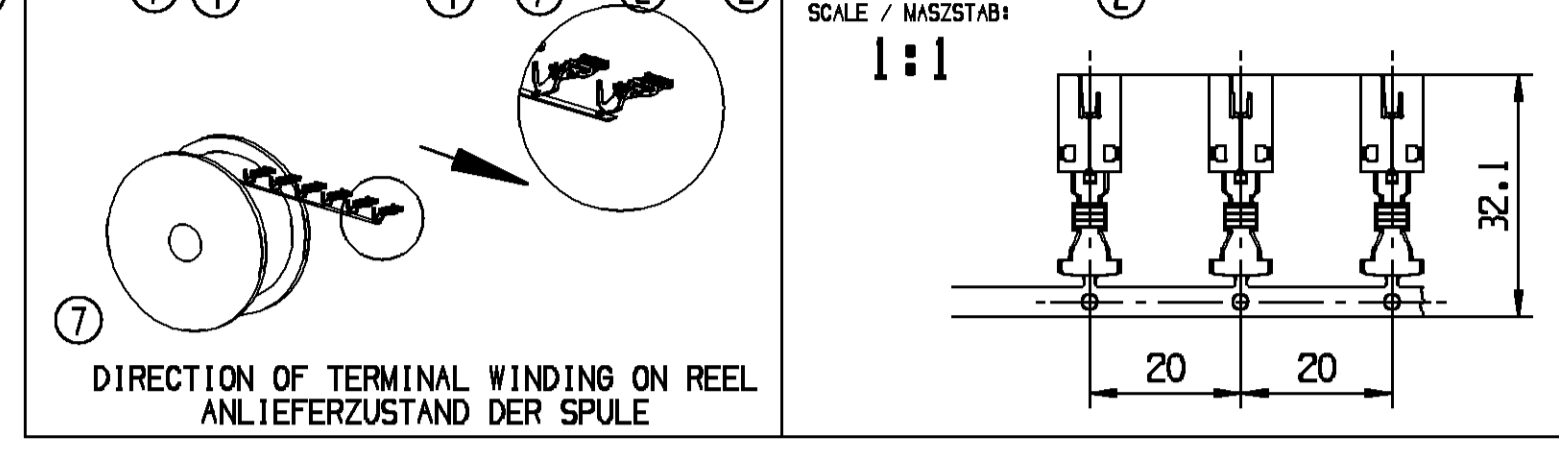
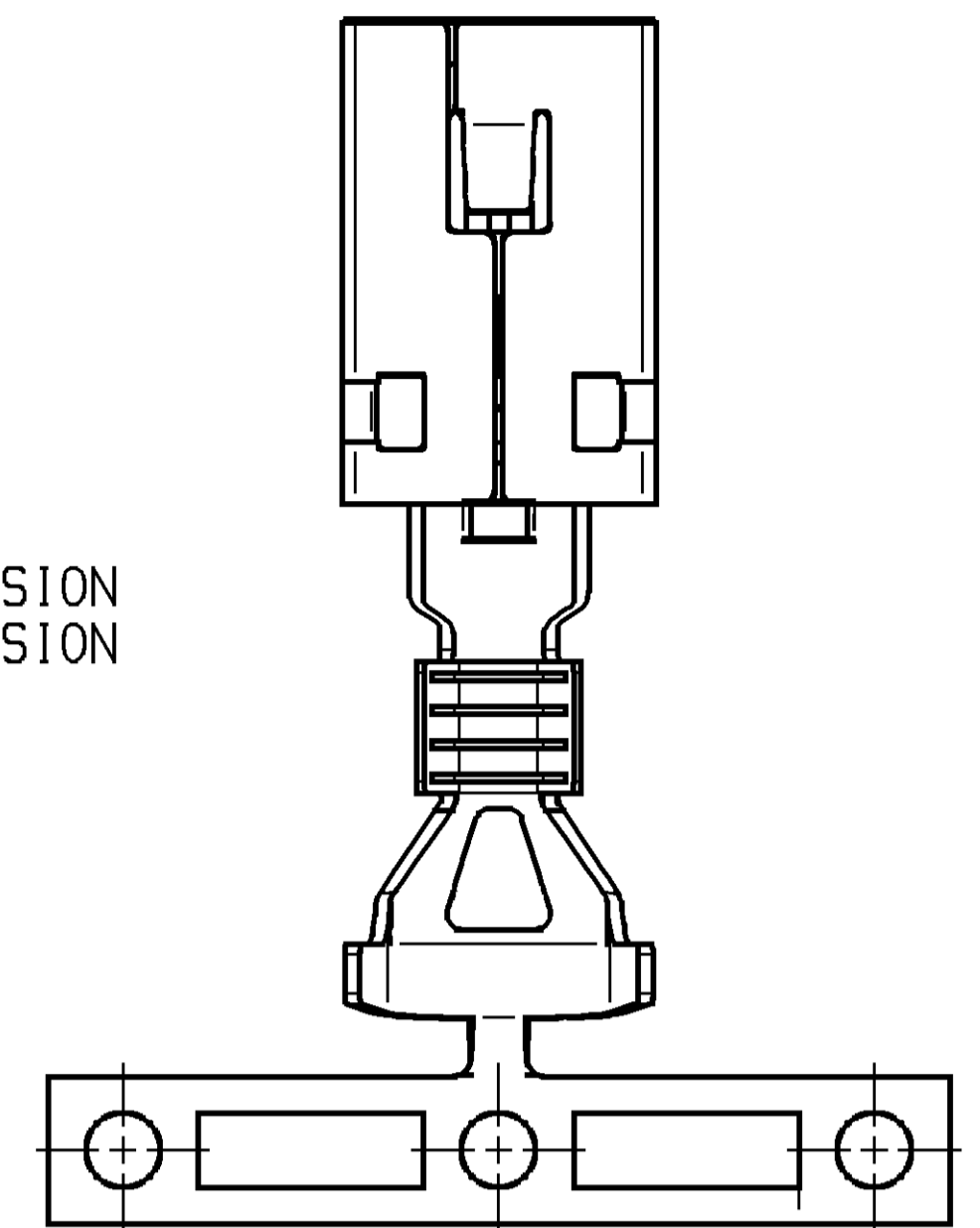


DV	L <sub>2</sub>	X <sub>2</sub>	X <sub>1</sub>	R <sub>2</sub> ± 0.1	R <sub>1</sub> ± 0.1	H <sub>2</sub> ± 0.2	H <sub>1</sub> ± 0.2	B <sub>2</sub> ± 0.2	B <sub>1</sub> ± 0.2	THICKNESS MATERIAL DICKE	SURFACE OBERFLAECHE	MATERIAL WERKSTOFF	CABLE-TYPE LTG.-TYP	CROSS SECTION QUERSCH.	VERSION AUSFUEHR.	PART-NO.	ASSEMBLY/ZUSAMMENBAU ID-NR./PART-NO.	PART-REV	DATE/ DATUM
4.20	9.50	0.20	2.10	3.40	1.50	7.50	4.00	8.20	4.40	0.38±0.015	F. SN3	CUNISI	FLRY-B	1.5-2.5	SEALED	1	401339/12147473	01	24AU94
3.70	10.00	0.70	1.60	3.40	2.10	7.50	5.60	8.20	6.20	0.38±0.015	F. SN3	CUNISI	FLRY-B	4.0-6.0	SEALED	1	401705/12147474	01	24AU94
3.70	10.00	0.70	1.60	3.40	2.10	7.50	5.60	8.20	6.20	0.38±0.015	F. SNAG	CUNISI	FLRY-B	4.0-6.0	SEALED	1	13553063	02	08AP05
3.70	10.00	0.70	1.60	3.40	2.10	7.50	5.60	8.20	6.20	0.38±0.015	G. NI/AG	CUNISI	FLRY-B	4.0-6.0	SEALED	1	13663596	01	05SE07
										0.20±0.015		1.4310				2			
4.20	9.50	0.20	2.10	3.40	1.50	7.50	4.00	8.20	4.40	0.38±0.015	G. AU	CUNISI	FLRY-B	1.5-2.5	SEALED	1	13666250	01	16AP08
3.70	10.00	0.70	1.60	3.40	2.10	7.50	5.60	8.20	6.20	0.38±0.015	G. AU	CUNISI	FLRY-B	4.0-6.0	SEALED	1	13666252	01	16AP08
4.20	9.50	0.20	2.10	3.40	1.50	7.50	4.00	8.20	4.40	0.38±0.015	G. NI/AG	CUNISI	FLRY-B	1.5-2.5	SEALED	1	13717725	01	20JN08
4.20	9.50	0.20	2.10	3.40	1.50	7.50	4.00	8.20	4.40	0.38±0.015	G. AG	CUNISI	FLRY-B	1.5-2.5	SEALED	1	13730449	01	03SE08
3.70	10.00	0.70	1.60	3.40	2.10	7.50	5.60	8.20	6.20	0.38±0.015	G. AG	CUNISI	FLRY-B	4.0-6.0	SEALED	1	13730450	01	03SE08

DWG STATUS		ZONE		REVISION HISTORY		AUTH	DR	APVD 1	APVD 2
DATE	STG	REV	W/P/CHG						
05MY91	R	00			CREATION OF ORIGINAL DESIGN (TRANSPARENT) ERSTELLUNG DER ORIGINALZEICHNUNG (TRANSPARENT)				
17JL00	R	01	AA		DRAWING WITH US NEW DRAW UP ZEICHNUNG AUF US NEU ERSTELLT				
			AB	D9	DIM./MASS DV ADDED/HINZU				
			AC	E11	SECT.LINE ADDED/SCHNITTLINIE HINZUEFUEGT			U/LAP	P.RED R.WIS
09N004	R	02	--	64	PART-NO. 13553063 ADDED/HINZU				
				65	CROSS SECTION/QUERSCHNITT 4.0-6.0 WAS/WAR 4.0				
				65	CABLE-TYPE/LTG.TYP FLRY-B WAS/WAS FLY				
			AC	64	SEAL IN CHART DELETED DICHTUNG IN TABELLE ENTFERNT				
			AD	A9	REMARKS FOR SEALS ADDED BEMERKUNG FUER DICHTUNG HINZU				
			AE	A9	PART-NO. 15324995 WAS/WAS 10720844				
			AF	A9	PART-NO. 15324994 WAS/WAS 10738785				
			AG	A9	PART-NO. 15324996 WAS/WAR 10738786			V.KAS	P.RED R.WIS
08AP05	R	03	--	BB	IDENTIFICATION "Ag" FOR 13553063 ADDED KENNZEICHNUNG "Ag" FUER 13553063 HINZU			K.PIT	P.RED R.WIS
05SE07	R		--	BB	IDENTIFICATION "Ag 0" FOR 13663596 ADDED KENNZEICHNUNG "Ag 0" FUER 13663596 HINZU			M.PHI	P.RED M.SKR
23OC07	R	04	AA	66	MATERIAL REVISED / MATERIAL CODE DELETED WERKSTOFF UEBERARB./ WERKSTOFFSOHL. ENTF.				
			AB	66	SURFACE/OBERFLAECHE F. SNAG WAS/WAR F. SN2BM			M.PHI	P.RED M.SKR
16AP08	05	--	H9		PART-NO 13666250/13666252 ADDED/HINZU			M.PHI	P.RED M.SKR
20JN08	R	06	--	69	PART-NO.: 13717725 ADDED/HINZU			R.ZIE	P.RED P.LES
14JL08	R	06	AA	68	DIM 3.4 WAS/WAR 3.3; WRITING MISTAKE/SCHREIBF.			R.ZIE	P.RED P.LES
03SE08	R	07	--	69	PART-NO.: 13730449 AND 13730450 ADDED/HINZU				
			AA	B9	DISASSEMBL. TOOL ADDED/ENTRIEDEL-WKZB. HINZU				
			AB	66	g.NI/Ag WAS/WAR g.Ag				
			AC	66	REEL VIEW ADDED/SPULENBILD HINZU				
			AD	66	MAT.CODE DELETED/WERKST. SOHL. ENTFERNT			R.ZMO	P.RED M.SKR
16AP09	R	08	--	011	OPTIONAL VERSION ADDED/HINZU			R.HEN	P.RED F.WIC

OPTIONAL VERSION  
OPTIONALE VERSION

⑧



③ IDENTIFICATION "Ag" AT THE OUTSIDE OF CRIMP FOR PART-NO.: 13553063  
KENNZEICHNUNG "Ag" AUSSEN AUF DEM ISO-CRIMP FUER PART-NO.: 13553063

③ IDENTIFICATION "Ag 0" AT THE OUTSIDE OF CRIMP FOR PART-NO.: 13663596; 13717725  
KENNZEICHNUNG "Ag 0" AUSSEN AUF DEM ISO-CRIMP FUER PART-NO.: 13663596; 13717725

⑦ DISASSEMBLING TOOL 10739585  
ENTRIEDELUNGSWERKZEUG 10739585

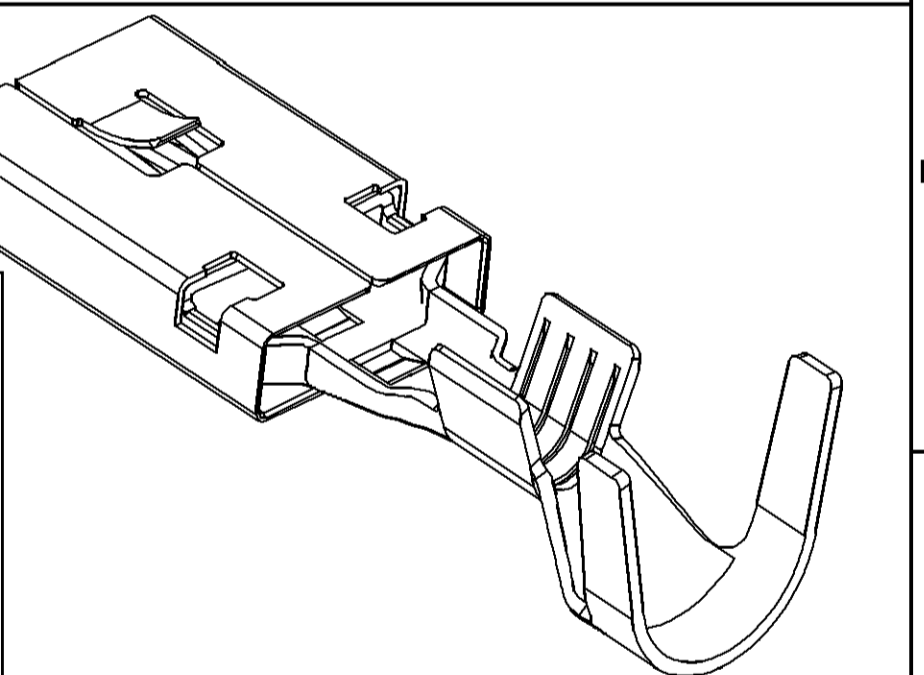
CABLE SEALS:  
PART-NO. 15324995 FOR 1.5-2.5 MM<sup>2</sup>  
PART-NO. 15324994 FOR 4.0 MM<sup>2</sup>  
PART-NO. 15324996 FOR 6.0 MM<sup>2</sup>

DICHTUNG:  
PART-NO. 15324995 FUER 1.5-2.5 MM<sup>2</sup>  
PART-NO. 15324994 FUER 4.0 MM<sup>2</sup>  
PART-NO. 15324996 FUER 6.0 MM<sup>2</sup>

KEY PRODUCT CHARACTERISTICS				
NO & TYPE	DESCRIPTION	RATIONALE	PTS	ZONE
⊕	SAFETY/COMPLIANCE	⊖	TOTAL ON DRAWING	0
⊕	S/C CHECKPOINTS	⊖	LAST NO. USED	0
⊖		⊖		
		⊖		

DIM TO CHECK PRUEFMASSE		DIMENSIONAL RANGE (MM) NENNMASSBEREICH (MM)		
○	FROM TO	<1	1-12	>12
( )		TOLERANCE UNLESS OTHERWISE SPECIFIED ALLGEMEINTOLERANZEN		
		±0.08	±0.15	±0.25
□		ANGULAR TOLERANCE ± 4° WINKELTOLERANZ ± 4°		

DWG TYP CUSTOMER PART DRAWING	
WEIGHT (GR)	DISTR CODE
VOLUME (QM)	
ROUTING	
UNLESS OTHERWISE SPECIFIED	
GENERAL TOLERANCES ACCORDING TO: SEE CHART SIEHE TABELLE	
GD&T ACCORDING TO: ISO 1101	



DELPHI	
DELPHI DEUTSCHLAND GMBH D-42119 MUFFELTAL	
THIS DRAWING IS THE PROPERTY OF DELPHI CORPORATION. NO RIGHTS ARE GRANTED TO USE THIS DRAWING FOR ANY PURPOSE OTHER THAN THE FURNISHING OF SERVICES AND SUPPLIES TO DELPHI CORPORATION.	
DIESE ZEICHNUNG IST EIGENTUM VON DELPHI CORPORATION ES IST NICHT GESTATTET, DIESE ZEICHNUNG FUER ANDERE ZWECKE ALS FUER DIE BEREITSTELLUNG VON DIENSTLEISTUNGEN UND WAREN AN DELPHI CORPORATION ZU NUTZEN.	
DR	U/LAP
APVD1	P.REDMANN
APVD2	R.WISNIEWSKI
APVD3	
APVD4	
APVD5	
SUBSTANCES OF CONCERN AND RECYCLED CONTENT PER DELPHI 10949001 POTENTIELL BEFAEHRLICHE STOFFE UND REZYKLATANTEIL GEMAES DELPHI 10949001	
MATERIAL	
SEE CHART / SIEHE TABELLE	

REFERENCE ORIGINAL DESIGN: 6810.084/000 KZUS	
FIRST ANGLE PROJECTION	
DO NOT SCALE USE MATH DATA	
SIZE	A1
SCALE	5:1
FRAME NO	1 OF 1
SHEET NO	1 OF 1
STG	R
REV	08
N/P	

DRAWING NAME: RECEPTACLE DUCON 6.3 X 0.8 ASSEMBLY, SEALED  
FLACHSTECKHUELSE DUCON 6.3 X 0.8 ZUSAMMENBAU, GEDICHTET

DRAWING NUMBER: 15397079

CONTROLLED DOCUMENTS ARE ONLY AVAILABLE ON THE SERVER