

CSM Series

Board Mount Heat Sink For TO-220 Devices



The economically priced CSM Series is suitable for use with TO-220 devices found in active components as well as power resistors. With surface areas ranging from 1188 Sq. mm to 6645 Sq. mm, the CSM family comes in 5 configurations, all of them with Black Anodized surface treatment. These heatsinks

offer a range of thermal performance from 18.0 to 9.8 C/W. Each device offers solder able mounting feet and anywhere from 1, 2 or 3 mounting holes are available for convenient device attachment.

SERIES SPECIFICATIONS

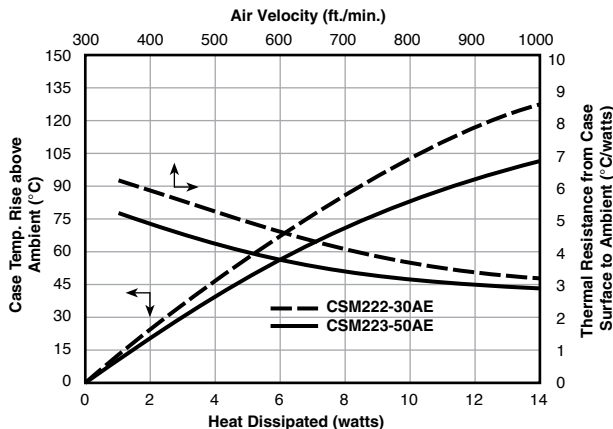
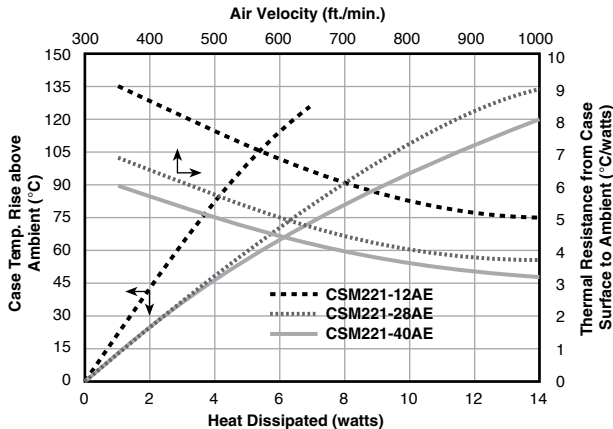
Heatsink Part Number	Surface Area (in ² / mm ²)	Weight (oz / g)	Length L (mm)	Thermal Res.* (°C/W)
CSM221-12AE	1.84 / 1,188	0.13 / 3.7	12	18.0
CSM221-28AE	4.30 / 2,772	0.3 / 8.5	28	12.8
CSM221-40AE	6.14 / 3,960	0.43 / 12.2	40	12.1
CSM222-30AE	6.25 / 4,029	0.5 / 14.2	30	11.3
CSM223-50AE	10.30 / 6,645	0.6 / 17.0	50	9.8

*Free convection at 10 watts dissipation

CHARACTERISTICS

Heat Dissipation

Heat dissipation is the total for ALL DEVICES attached to the heat sink



Heat Sink Aluminum Alloy 6063-T5 or Equivalent with either degreased or black anodized finish.

Solder Foot Cold-rolled Steel, surface tin plated.

Interface Thermal Resistance for improvement, use thermal joint compound, 0.005 Grafoil (TGon 800 by Laird), or phase change material (Hi-Flow by Bergquist)

Insulator (Optional) Sil-Pad 900-S, K6 800-S and K10 by Bergquist

(continued)

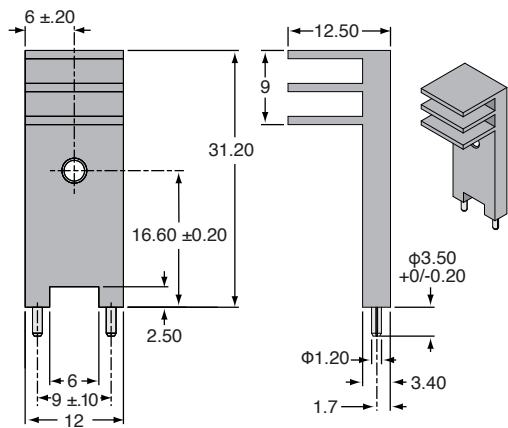
CSM Series

Board Mount Heat Sink For TO-220 Devices

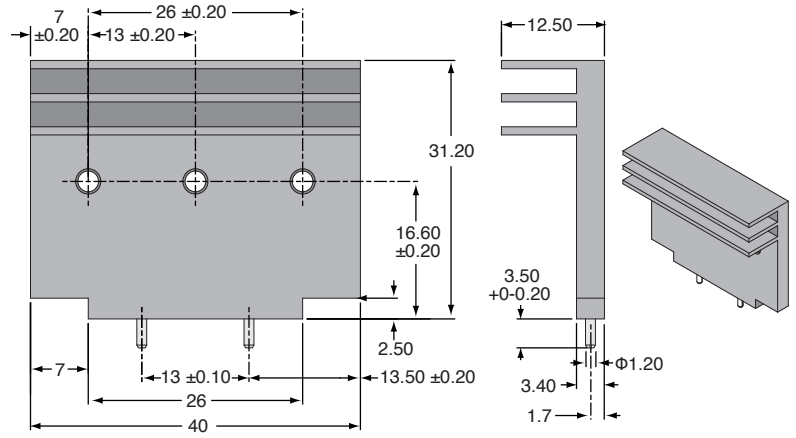
DIMENSIONS

Dimensions in mm; M3*0.5P thread Tapping. JIS-2b standard chamfer 0.3m

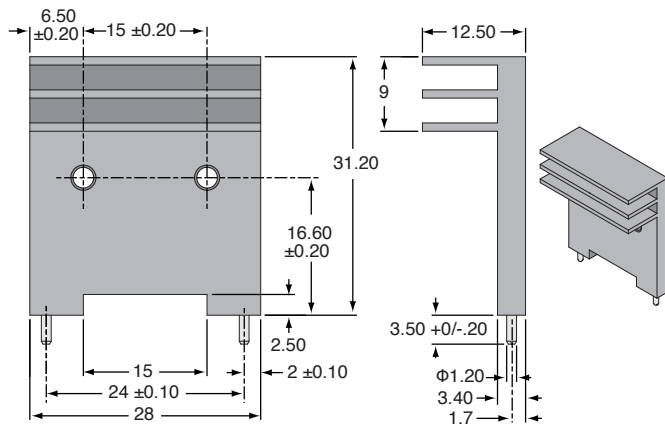
CSM221-12AE



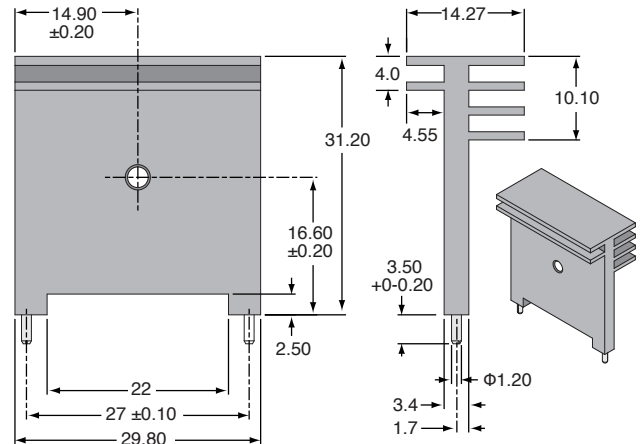
CSM221-40AE



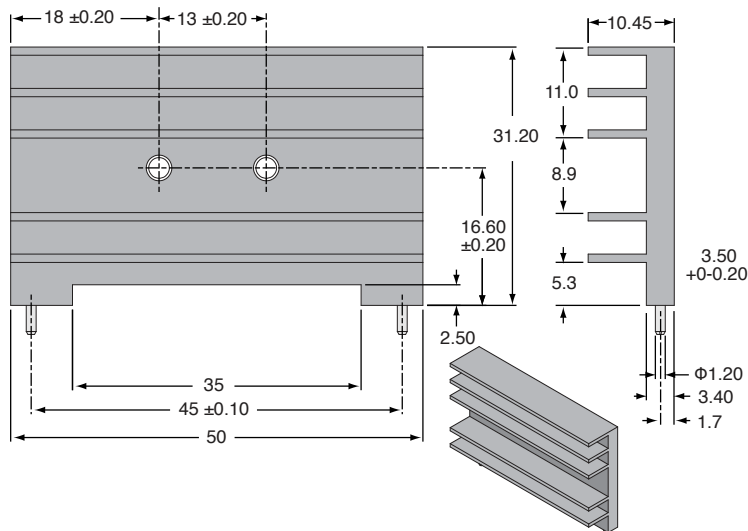
CSM221-28AE



CSM222-30AE



CSM223-50AE



HOW TO ORDER

RoHS Compliant
C S M 2 2 1 - 1 2 A E
 Series Extrusion type Extrusion width Black anodized

X-ON Electronics

Largest Supplier of Electrical and Electronic Components

Click to view similar products for [Heat Sinks](#) category:

Click to view products by [Ohmite](#) manufacturer:

Other Similar products are found below :

[581102B00000G](#) [630-35ABT3](#) [656-15ABPE](#) [657-20ABPNE](#) [7020B-TC12-MTG](#) [73452PPBA](#) [7721-13NG](#) [7G0011A](#) [FI306/SE](#) [PF720G](#)
[A22-4026](#) [120-1873-007](#) [HAH10L](#) [HF20](#) [1542256-2](#) [1542026-1](#) [1542616-1](#) [HS-2506-F1](#) [HS-87M0-F2](#) [218-40CTE3](#) [25-7520](#)
[188854F00000G](#) [F-QB-F1](#) [APA501-60-003](#) [253-122ABE-22](#) [PSC22CB](#) [CLP-201](#) [CLP212SG](#) [CLP-7701G](#) [HAA072](#) [HAA083](#) [HAF10L](#)
[HAQ10T](#) [D10100-28](#) [TO5-002D](#) [513101B02500G](#) [BDN183CBA01](#) [531202B0000](#) [HS-56M0-C1](#) [3-21053-4](#) [TX0506-1B](#) [TX1806B](#)
[336614B-00000](#) [V2004X](#) [LAE66A3CB](#) [WA-DT2-101E](#) [511-3U](#) [017177](#) [530510B00000G](#) [6110BG](#)