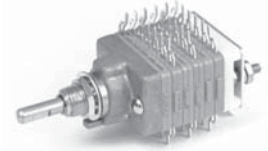


C1 - SERIES

SPECIFICATIONS AND ORDERING INFORMATION

0.865" WIDE 0.25 AMP @ 28 VDC

The C1 Series is our smallest enclosed rotary switch, offering index angles of 30°, 60°, and 90°. Standard designs utilize solder lug or vertical PC terminals and diallyl phthalate insulation.



SPECIFICATIONS

ELECTRICAL

Current and Voltage Rating: Make and break resistive load 0.25 amp @ 28 VDC; 0.1 amp @ 125 VAC.
Current Carrying Capacity: 6 amps.
Dielectric Strength: 600 VAC between current carrying parts and ground.
Contact Resistance: Average initial 5 milliohms.
Insulation Resistance: In excess of 10,000 megohms.

Hardware: Mounting nut and lockwasher are shipped assembled.

MECHANICAL

Materials and Finishes: All parts utilize non-corrosive materials as standard.
Terminals and Contacts: Brass with silver plate as standard.
Insulation: Diallyl phthalate.
Index: Dual-ball, hill and valley.
Index Life: 25,000 cycles minimum.
Index Torque: Switches have lowest practical torque consistent with crisp detenting and smooth, reliable operation.
Index Angles: 30° standard, 60°, and 90° available.
Index Stops: Fixed standard, adjustable, or continuous available.
Stop Strength: 8 in. lbs. minimum.

STANDARD PART NUMBER

SOLDER LUG - ADJUSTABLE STOPS

SWITCHES - 30° INDEXING - STOPS SET @ 2 POS.

POLES	ACTIVE POSITIONS	POLES/ DECK	NO. OF DECKS	SHORTING	NON-SHORTING	FIG. *
01	02-12	1	1	C1D0112S - A	C1D0112N - A	CA
02	02-12	1	2	C1D0212S - A	C1D0212N - A	CA
02	02-06	2	1	C1D0206S - A	C1D0206N - A	CH
03	02-12	1	3	C1D0312S - A	C1D0312N - A	CA
03	02-04	3	1	C1D0304S - A	C1D0304N - A	CK
04	02-06	2	2	C1D0406S - A	C1D0406N - A	CH
06	02-04	3	2	C1D0604S - A	C1D0604N - A	CK
06	02-06	2	3	C1D0606S - A	C1D0606N - A	CH

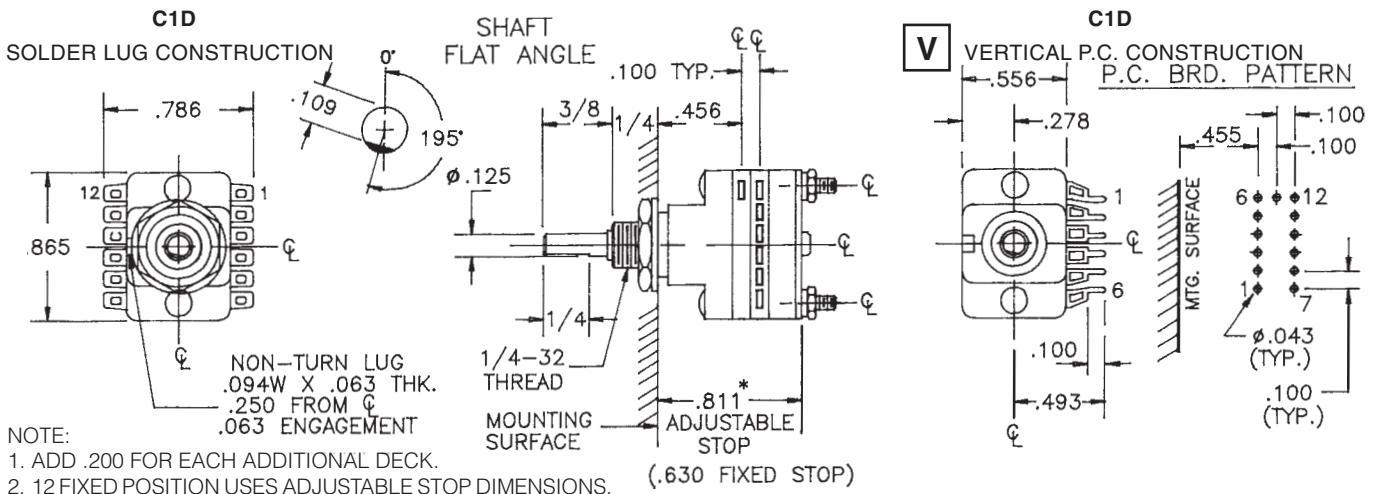
VERTICAL P.C. TERMINALS - ADJUSTABLE STOPS

SWITCHES - 30° INDEXING - STOPS SET @ 2 POS.

POLES	ACTIVE POSITIONS	POLES/ DECK	NO. OF DECKS	SHORTING	NON-SHORTING	FIG. *
01	02-06	1	1	C1D0106S - VA	C1D0106N - VA	CB
01	02-12	1	1	C1D0112S - VA	C1D0112N - VA	CC
02	02-06	1	2	C1D0206S - VA	C1D0206N - VA	CB
02	02-12	1	2	C1D0212S - VA	C1D0212N - VA	CC
03	02-06	1	3	C1D0306S - VA	C1D0306N - VA	CB
03	02-12	1	3	C1D0312S - VA	C1D0312N - VA	CC
04	02-06	1	4	C1D0406S - VA	C1D0406N - VA	CB
04	02-12	1	4	C1D0412S - VA	C1D0412N - VA	CC

* FIGURES ARE SHOWN ON PAGE 55.

DIMENSIONS

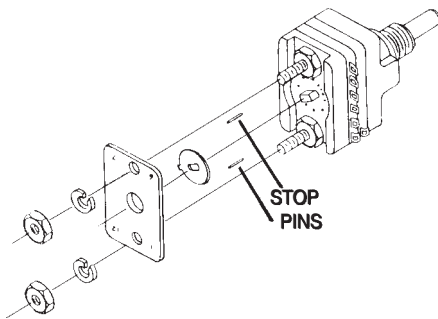


How to Order Additional Options:

2 DIGIT SERIES	INSULATION TYPE	TOTAL POLES	ACTIVE POSITIONS	CONTACT TYPE	TERMINAL TYPE	INDEX ANGLE	STOP TYPE	SHAFT/ BUSHING	SHAFT FLAT
C1	D - DIALLYL	01 - MIN.	12 - MAX @ 30° 06 - MAX @ 60° 04 - MAX @ 90°	N - NON-SHORTING S - SHORTING	L - SOLDER LUG V - VERT. P.C.	30° 60° 90°	F - FIXED C - CONT. A - ADJ.	SEE CHART "A"	SEE CHART "B"
					R - REAR P.C.	30° 60° 90°	F - FIXED C - CONT.		

CUSTOMERS SPECIFIED ORDER NUMBER FOR STANDARD OPTIONS					ADDITIONAL OPTIONS						
C	1	D	<input type="text"/>	<input type="text"/>	<input type="text"/>	<input type="checkbox"/>	<input type="checkbox"/>	<input type="text"/>	<input type="text"/>	<input type="text"/>	<input type="text"/>
			(SPECIFY)	(SPECIFY)	(SPECIFY)	(SPECIFY)	(SPECIFY)	(SPECIFY)	(SPECIFY)	(SPECIFY)	(SPECIFY)

ADJUSTABLE STOP MECHANISM



SHAFT, BUSHING, AND FLAT OPTIONS

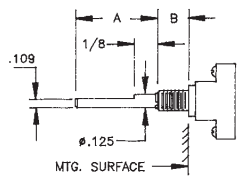


Chart A 1/8" shaft

P/N OPT	Shaft Lgth	Bush Lgth
01	3/8	1/4
02	3/8	3/8
03	1/2	1/4
04	1/2	3/8
05	9/16	1/4
06	9/16	3/8
07	5/8	1/4
08	5/8	3/8
09	3/4	1/4
10	3/4	3/8
11	7/8	1/4
12	7/8	3/8
13	1	1/4
14	1	3/8

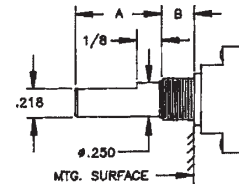


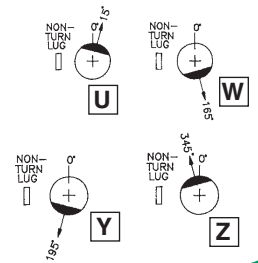
Chart A 1/4" shaft

P/N OPT	Shaft Lgth	Bush Lgth
15	3/8	1/4
16	3/8	3/8
17	1/2	1/4
18	1/2	3/8
19	3/4	1/4
20	3/4	3/8
21	1	1/4
22	1	3/8

CHART "B"

P/N OPT.	FLAT ANGLE
U	15°
W	165°
Y	195°
Z	345°

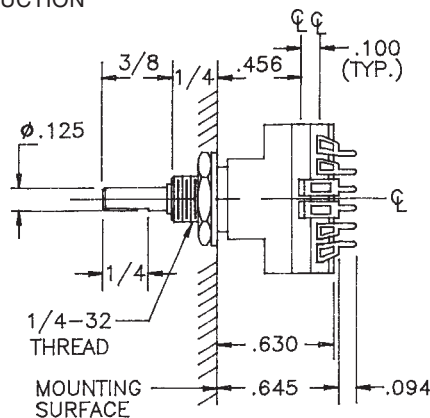
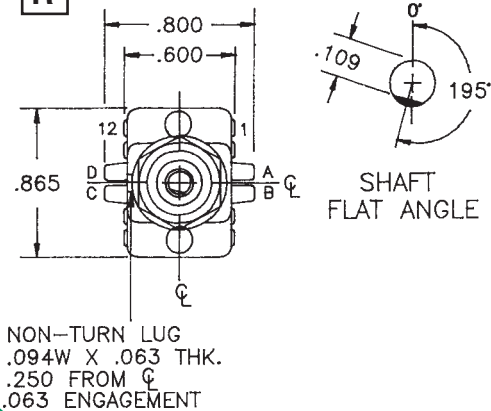
SHAFT AS VIEWED WITH NON-TURN LUG AT 9 O'CLOCK AND SHAFT IN EXTREME CCW POSITION AND STRUT BOLTS ORIENTED VERTICALLY.



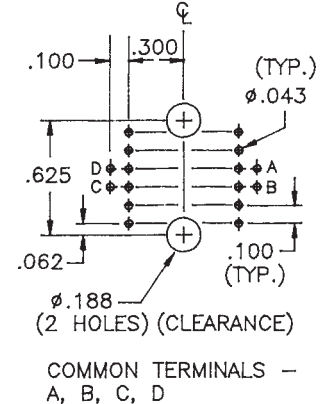
PRINTED CIRCUIT BOARD TERMINAL OPTIONS

R

REAR P.C. FIXED STOP CONSTRUCTION



P.C. BRD. PATTERN



CUSTOM SWITCHES ARE AVAILABLE. CONTACT THE FACTORY WITH YOUR COMPLETE SPECIFICATIONS.

X-ON Electronics

Largest Supplier of Electrical and Electronic Components

Click to view similar products for [Rotary Switches](#) category:

Click to view products by [Electroswitch](#) manufacturer:

Other Similar products are found below :

[57HS22-02-2-06N](#) [57M22-02B16N](#) [57M22-09A16N](#) [58J1007](#) [58J8A45-01B05N](#) [59M18-02A20N](#) [M3786/39-3BA](#) [M3786/39-LMC](#)
[M3786/4-0007](#) [M3786/4-0073](#) [M3786/4-0182](#) [M3786/4-0640](#) [M3786/4-0873](#) [M3786/4-0881](#) [M3786/4-3187](#) [M3786/4-3267](#) [M3786/4-5272](#)
[M3786/4-5568](#) [M3786/4-5876](#) [M3786/4-6029](#) [71ESF30-05204N](#) [MC06L1NCGF](#) [FA201BKGN](#) [84986-26](#) [9003K2C003GA](#) [PLR3251](#)
[PLR3262](#) [PLR3279](#) [PS3](#) [A019305](#) [A019306](#) [A019501](#) [A029301](#) [A165W-T2AR](#) [R2AA2133NNNN](#) [R2AA4455NNNN](#) [R2BB4455NNNN](#)
[ACSNO-6123-FB-C6002](#) [RMS1224](#) [DR75-AMSF-10R-B](#) [14-520.0360](#) [BCK1006](#) [1703.3201](#) [HW1MS-0202-101](#) [C6P0206N-A](#) [24002-03S](#)
[A019109](#) [A029101](#) [A165W-T3MR](#) [A22NS-3BM-NRA-G120-NN](#)