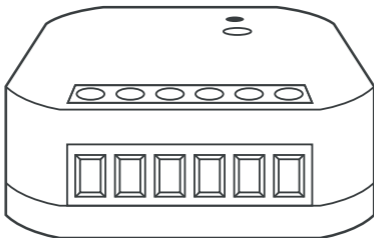




Power

www.getproxi.com

Information about the rB-R2S2 module



Use

The rB-R2S2 module is a transmitter module used to control any two electrical circuits connected to it, or for the connection of a double momentary switch.

It is dedicated for electrical sockets, lightbulbs etc.

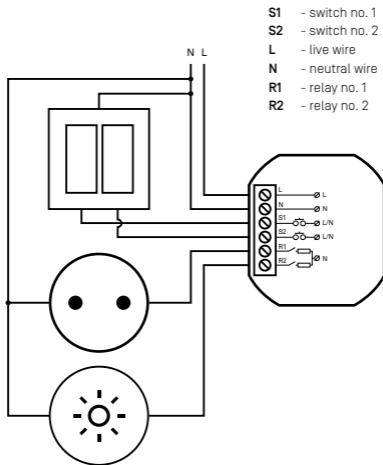
More information at www.getproxi.com.

Operation

The module allows the connected device to be controlled via a smartphone as well as a traditional switch.

The Proxi application can be downloaded for free from Google Play and the App Store and it runs on any smartphone equipped with Bluetooth 4.0 and iOS or Android version 4.3 or above.

Connection schematic



Installation

1. Disconnect the power circuit and using an appropriate device, check that the circuit is not powered.
 2. Connect the switch wires to the S1 and S2 contacts.
 3. Connect the socket wires to the appropriate module contacts as shown on the diagram.
 4. Connect the live and neutral wires to the appropriate L and N contacts.
 5. Insert the module into the junction box.
 6. Connect the power supply.
- If the module has been installed correctly, the blue diode on the module should blink.

Technical data



rated power	AC 230 V / 50 Hz
voltage range	-20%, +10%
rated power consumption	1 W
radio connection	bluetooth 2,4 GHz
signal strength	1 mW
transmission type	two directional
encoding	yes
number of relays	2
receivers	2x 4 A / AC 250 V
input	triggered by the L or N level 2x contact
controlling current	<= 1 mA
storage temperature	-20°C, +50°C
operating temperature	0°C, +45°C
humidity	<= 85% [without water vapour condensation and corrosive gases]
dimensions	49 x 44 x 22 mm
protection code	IP 20
type of housing	junction box
overheating protection	yes
autonomus mode	yes

Warranty F&F products are guaranteed for 24 months from the date of purchase.

F&F Filipowski sp. j. ul. Konstanyńska
79/81, 09-200 Pabianice POLAND
tel./fax +48 42 2152383 fif@fif.com.pl,
www.fif.com.pl

©2014 F&F Filipowski sp. j.
All rights reserved.



X-ON Electronics

Largest Supplier of Electrical and Electronic Components

Click to view similar products for [Power Management IC Development Tools](#) category:

Click to view products by [F&F](#) manufacturer:

Other Similar products are found below :

[EVAL6482H-DISC](#) [EVAL-AD5522EBUZ](#) [EVAL-ADM1060EBZ](#) [EVAL-ADM1073MEBZ](#) [EVAL-ADM1166TQEBZ](#) [EVAL-ADM1168LQEBZ](#) [EVAL-ADM1171EBZ](#) [EVAL-ADM1276EBZ](#) [EVB-EN5319QI](#) [EVB-EN5365QI](#) [EVB-EN6347QI](#) [EVB-EP5348UI](#) [MIC23158YML EV](#) [MIC23451-AAAYFL EV](#) [MIC5281YMME EV](#) [124352-HMC860LP3E](#) [ADM00513](#) [ADM8611-EVALZ](#) [ADM8612-EVALZ](#) [ADM8613-EVALZ](#) [ADM8615-EVALZ](#) [ADP1046ADC1-EVALZ](#) [ADP1055-EVALZ](#) [ADP122-3.3-EVALZ](#) [ADP130-0.8-EVALZ](#) [ADP130-1.2-EVALZ](#) [ADP130-1.5-EVALZ](#) [ADP130-1.8-EVALZ](#) [ADP160UJZ-REDYKIT](#) [ADP166UJ-EVALZ](#) [ADP1712-3.3-EVALZ](#) [ADP1714-3.3-EVALZ](#) [ADP1715-3.3-EVALZ](#) [ADP1716-2.5-EVALZ](#) [ADP1740-1.5-EVALZ](#) [ADP1752-1.5-EVALZ](#) [ADP1754-1.5-EVALZ](#) [ADP1828LC-EVALZ](#) [ADP1870-0.3-EVALZ](#) [ADP1871-0.6-EVALZ](#) [ADP1873-0.6-EVALZ](#) [ADP1874-0.3-EVALZ](#) [ADP1876-EVALZ](#) [ADP1879-1.0-EVALZ](#) [ADP1882-1.0-EVALZ](#) [ADP1883-0.6-EVALZ](#) [ADP197CB-EVALZ](#) [ADP199CB-EVALZ](#) [ADP2102-1.25-EVALZ](#) [ADP2102-1.2-EVALZ](#)