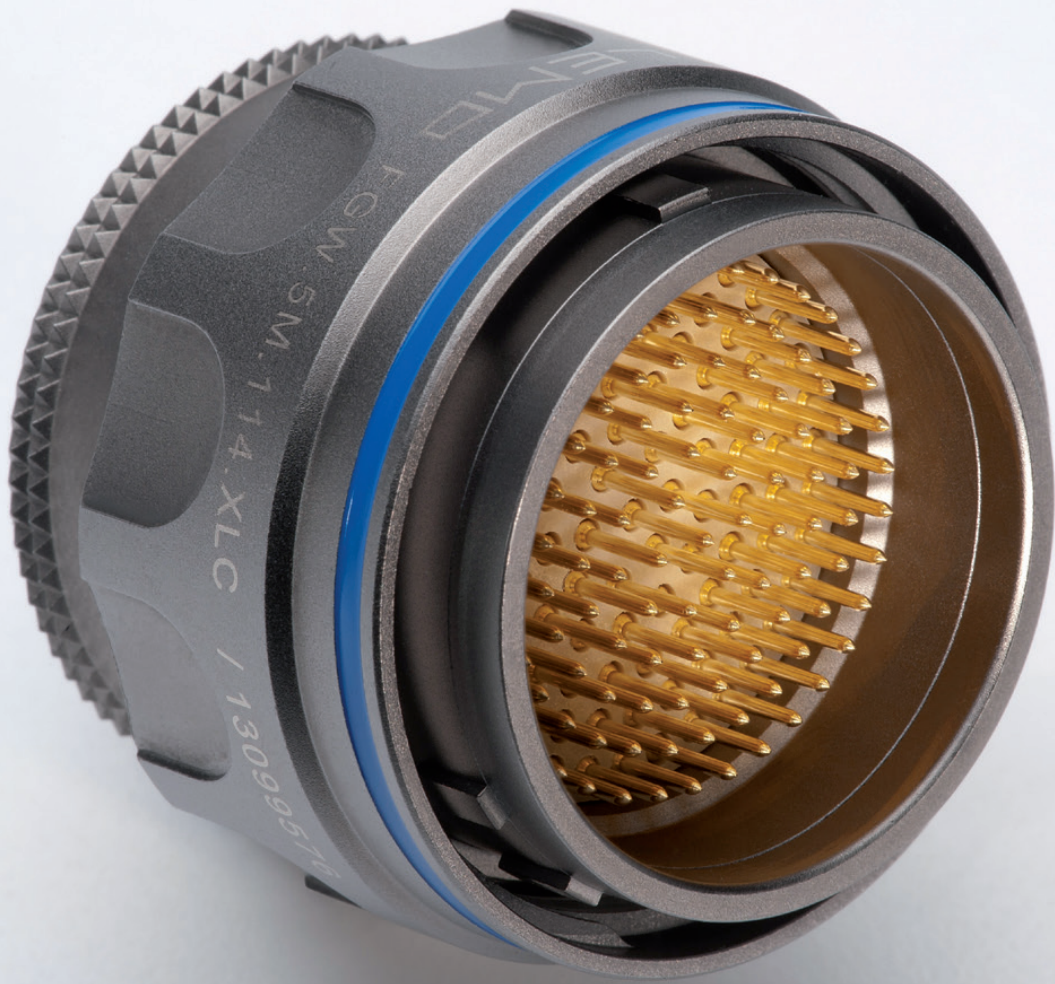


M SERIES CONNECTORS
RATCHET COUPLING

 SERIES





Introduction

This catalogue gives the complete description of LEMO M series connectors. M series connectors are lightweight triple-start ratchet coupling type connectors designed for avionics, aerospace, military, security, motorsport and heavy duty applications.

The LEMO manufacturing programme has been extended to almost 40 series divided into 7 product families with specific mating and environmental characteristics. Each series includes a wide variety of plug, socket and coupler models, available in contact configurations adapted to all round cables. Watertight models are also available. Since LEMO connectors are perfectly screened and designed to guarantee very low resistance to shell electrical continuity, they are particularly adapted to applications where electromagnetic compatibility (EMC) is important.

Technical Characteristics

Materials and Treatments

| Component | Shell material code | | | Material (Standard) | Surface treatment (μm) | | | | Notes |
|----------------------|---------------------|---|---|---------------------------------------|-------------------------------------|--------|---|------|-------|
| | I | X | C | | chrome | nickel | | gold | |
| | | | | | | I | X | | |
| Outer shell | | | ● | Brass (UNS C 38500) | 0.3 | – | – | – | |
| | ● | ● | | Aluminium alloy (AA 6262A or AA 6023) | – | 14 | 5 | – | 1) |
| Conical nut | | | ● | Brass (UNS C 38500) | 0.3 | – | – | – | |
| | ● | ● | | Aluminium alloy (AA 6262A or AA 6023) | – | 14 | 5 | – | 1) |
| Earthing crown | ● | ● | ● | Bronze (UNS C 54400) or special brass | – | – | – | 1.5 | |
| Coupling nut | | | ● | Brass (UNS C 38500) | – | – | 3 | – | – |
| | ● | ● | | Aluminium alloy (AA 6262A or AA 6023) | – | 14 | 3 | – | 1) |
| Ratchet | ● | ● | ● | Special PEEK | – | | | | |
| Hexagonal nut | | | ● | Brass (UNS C 38500) | – | – | 3 | – | |
| | ● | ● | | Aluminium alloy (AA 6262A or AA 6023) | – | – | 5 | – | |
| Male crimp contact | ● | ● | ● | Brass (UNS C 34500) | – | – | – | 1.0 | – |
| Female crimp contact | ● | ● | ● | Bronze (UNS C 54400) | – | – | – | 1.5 | – |
| Clips | ● | ● | ● | Cu-Be or special steel | without treatment | | | | |
| Insulator | ● | ● | ● | PEEK | – | | | | |
| O-ring | | | ● | Silicone | – | | | | |
| | ● | ● | | FPM/FKM (Viton®) | – | | | | |
| Sealing resin | ● | ● | ● | Epoxy (Araldite® or Stycast®) | – | | | | |
| Cable rear seal | ● | ● | ● | Fluorosilicone | – | | | | |
| Spring | ● | ● | ● | Stainless steel | – | | | | |

Notes: standards for surface treatment are as follows: chrome-plated SAE AMS 2460; nickel-plated SAE AMS QQ N 290 or MIL DTL 32119; gold-plated ISO 27874. ¹⁾ anthracite colour.

Environmental performance

| Characteristics | Value | IEC international | MIL-spec tests |
|-----------------------------------|---|----------------------|------------------------------|
| Operating temperature (mated) | -55°C/+200°C (HE● model: -20°C/+80°C) | | |
| Ingress protection index | IP 68 (at 2 m, 15Hr) | IEC 60529 | |
| Fungus | Satisfied - by material analysis | | MIL-STD 810F-508.5 |
| Flammability | 60 sec. front and back face | | EIA-364-104A |
| Fluid contamination ¹⁾ | Fuels, gasoline, hydraulic oils, solvents, de-icing | | MIL-STD-810F method 504 |
| Sand and dust ²⁾ | 6 hr, 55°C, blowing < 150 μm dust | | MIL-STD 810F-510.4 |
| Lightning strike | 10 K amps - 6 times | | EIA-364-75 |
| Altitude-low temp ³⁾ | -65°C; 40'000 feet and 400 VAC | | EIA-364-105A |
| Salt fog ⁴⁾ | Alum. shell (up to 500Hr), Brass shell (1000Hr) | IEC 60512-6 test 11f | EIA-364-26 |
| Thermal shock | 5 cycles: -65°C to +150°C | IEC 60512-11-4 | EIA-364-32 test condition IV |
| Altitude immersion | No moisture on contacts | | EIA-364-03 |
| Humidity | 21 days at 95% | IEC 60068-2 | EIA-364-31 method IV |

Note: ¹⁾ Connectors immersed at both 70°C and 25°C according to specification. Connectors are then inspected, no visual signs of damage seen.

Fuels: Kerosene, JP4, (Nato F40) at 70°C +/- 2°C. Gasoline: ASTM 4814. Hydraulic oils: Mineral oil based MIL-H-5606.

Solvents: Isopropanol. De-icing fluids: 25% ethylene glycol.

²⁾ No signs of damage, connectors opened and closed without difficulty. Dust or sand was not inside connector.

³⁾ Wired mated connectors = no voltage breakdown, shell to all contacts (connected together) w/400 VAC after 1 hour at 65° C at 40'000 feet altitude.

⁴⁾ Corrosion resistance. Inspection: salt deposits shall be removed by gentle wash in running water with light brushing using soft brush.

Aluminium Shell (material code: X) max: 48 hours, (material code: I) max: 500 hours. Brass shell (material code: C) over 1000 hours.

Electrical performance

| Characteristics | Value | IEC international | MIL-spec tests |
|---|---|---------------------|----------------|
| Insulation resist. (at ambient temp.) ⁶⁾ | > 10 ¹² Ω, > 10 ¹⁰ Ω (after humidity) | IEC 60512-2 test 3a | EIA-364-21 |
| Dielectric withstanding volt. (sea level) | See table page 25, 26, 27 | IEC 60512-2 test 4a | EIA-364-20 |
| Contact resistance | See table below ⁷⁾ | IEC 60512-2 test 2a | EIA-364-06 |
| Current rating | See insulator configuration page 25, 26, 27 | IEC 60512-3 test 5a | |
| Shell to shell conductivity | < 1.5m Ω | IEC 60512-2-6 | EIA-364-83 |
| Shielding effectiveness, low frequency | ≥ 80 dB up to 1GHz | | EIA-364-66 |
| Shielding effectiveness, high frequency | ≥ 70 dB (3GHz), ≥ 58 dB (6GHz), ≥ 40 dB (10GHz) | | EIA-364-66 |

Note: ⁶⁾ After humidity test: 21 days at 95% RH according to IEC 60068-2. Insulation resistance measured between the contacts and contact/shell.

| Contact resistance ⁷⁾ IEC 60512-2 test 2a | | | | Value |
|---|-------|-------|-------|-------------|
| 0.5 | 0.7 | 0.9 | 1.3 | ∅ A (mm) |
| ≤ 8.7 | ≤ 6.1 | ≤ 4.8 | ≤ 3.6 | mΩ |

Notes: ⁷⁾ after 5000 mating cycles and the salt spray test according to IEC 60512-6 test 11 f.

Mechanical performance

| Characteristics | Value | IEC international | MIL-spec tests |
|------------------------------|--|----------------------|----------------------------------|
| Endurance | 3000 cycles | IEC 60512-5 test 9a | EIA-364-09 |
| Gunfire vibration | 25 to 2000 Hz, 3 axis (Apache helicopter) | | MIL-STD-810F method 519.5 |
| Vibration-Sine ⁸⁾ | 30 g, 3 axis, 12 hr | | MIL-STD-202 method 204-G |
| Vibration-Random | 50-2000 Hz, 37.8 g rms-3 axes; 4h amb | IEC 60512-6-4 | EIA-364-28 test cond. V letter I |
| Shock | 300 g - 3 msec | IEC 60512-6-3 | EIA-364-27 condition D |
| Acceleration | 50 g acceleration | | MIL-STD-1344 - 2011-1, A |
| Contact retention | > 22 N (\varnothing 0.7mm), > 30N (\varnothing 0.9 mm) | IEC 60512-8 test 15a | |
| Torque | See table below | | |

Note: ⁸⁾ Amplitude: 30G. Frequency: 10 to 2000 Hz. Time per axis: 4 hours (X, Y, Z). No signal discontinuity above 1 μ s.

| Series | Coupling torque tightning (N.cm) | Coupling torque untightning (N.cm) | Series | Coupling torque tightning (N.cm) | Coupling torque untightning (N.cm) |
|-----------|----------------------------------|------------------------------------|-----------|----------------------------------|------------------------------------|
| MM | 8 | 4 | TM | 26 | 30 |
| 0M | 4 | 5 | 4M | 26 | 25 |
| 1M | 10 | 11 | LM | 48 ⁹⁾ | 43 |
| 2M | 20 | 14 | 5M | 91 ⁹⁾ | 54 |
| 3M | 34 | 29 | | | |

Note: ⁹⁾ Higher contact density = larger torque force.

M Series

The M Series connector offers a new innovative design for avionics, aerospace, military, security, motorsport and heavy duty applications.

Made of high-strength aluminium, this connector is one of the lightest and most compact of the LEMO product line. A one-grip ratchet screw system enables quick and secure coupling of the connectors. The arctic grip makes it easy to manipulate the connector while wearing gloves or when the connector is located in a difficult to access area.

Features

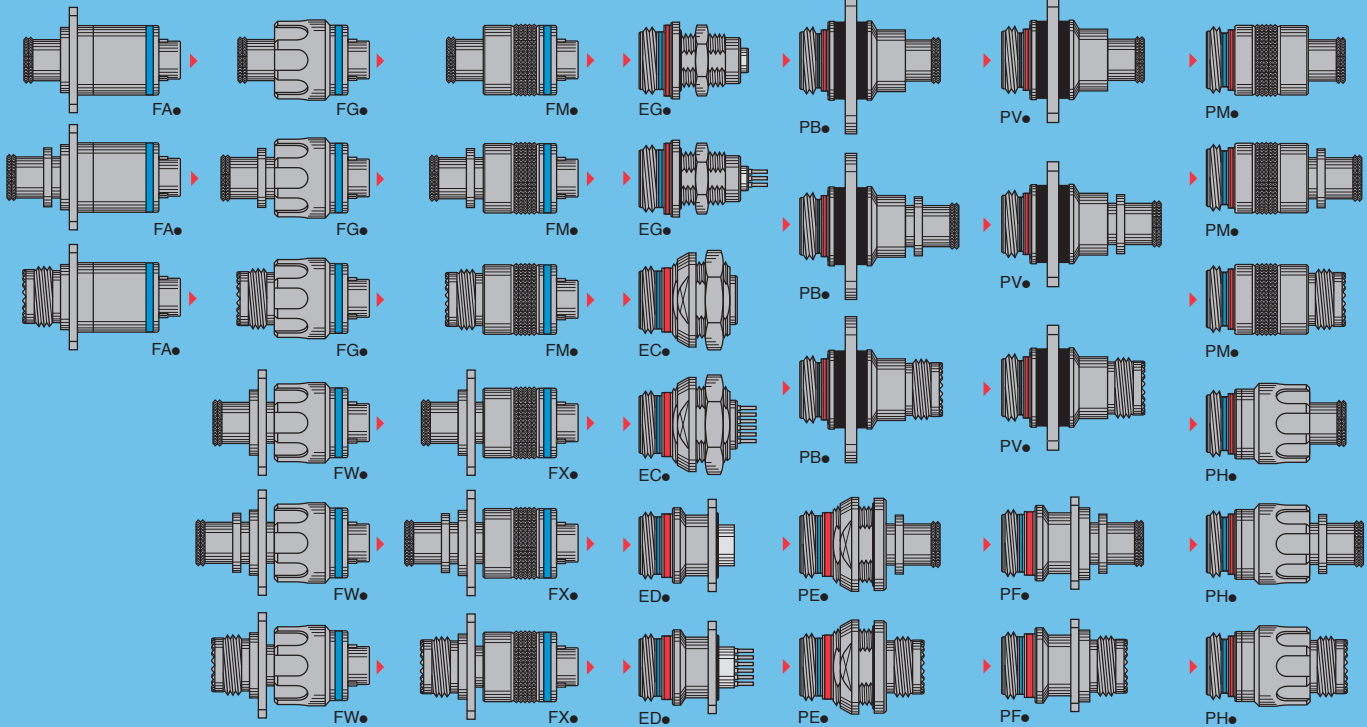
- Ratchet-coupling mechanism
- Compact design for space savings
- Oil and fuel resistant
- 360° screening for full EMC shielding
- Colour coding / keying
- Scoop proof
- Threaded for MIL-DTL-38999L backshell
- Quick mating: less than 3/4 turn to seat
- Lightweight
- High vibration and shock resistance
- Sealed to IP68 when mated
- Reverse gender configuration
- Pin configuration from 2 to 114 contacts

Metal housing models (page 6)

Straight plugs

Fixed sockets

Free sockets



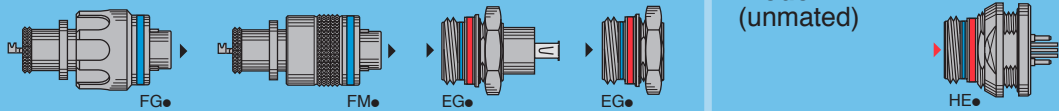
USB models (page 24)

Straight plugs

Fixed sockets

Watertight model (unmated)

Fixed socket

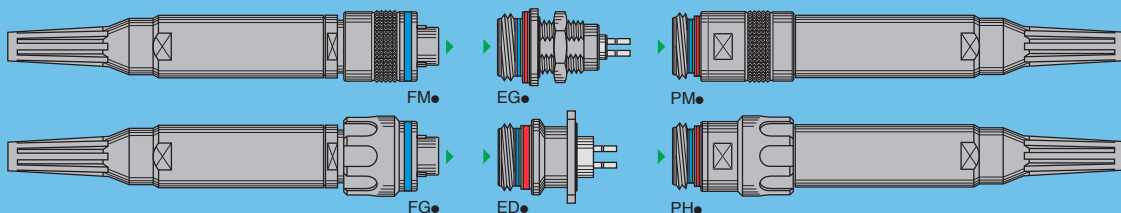


Fibre optic models (page 21)

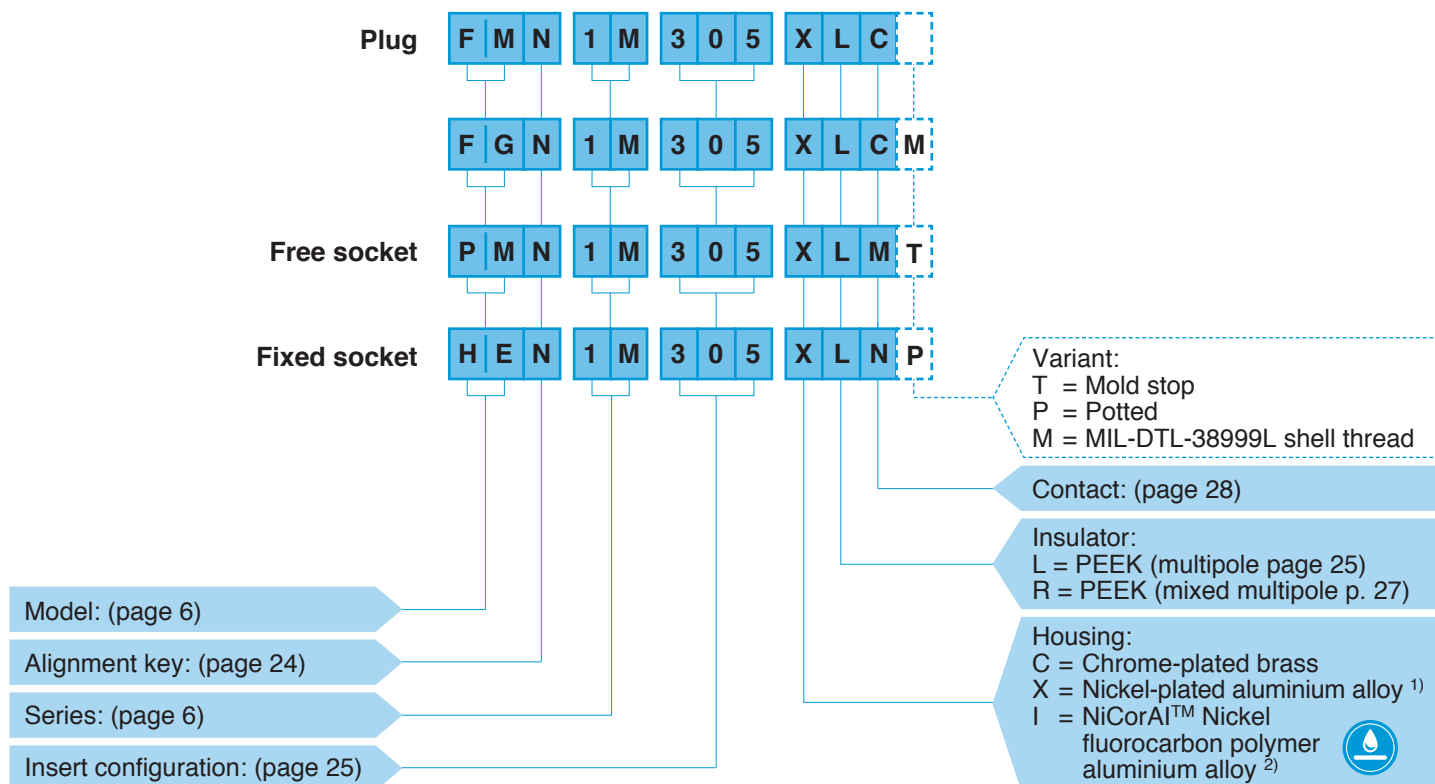
Straight plugs

Fixed sockets

Free sockets



Part Numbering System



FMN.1M.305.XLC = straight plug with key (N), 1M series, multipole type with 5 contacts, outer shell in anthracite nickel-plated aluminium alloy, PEEK insulator, male crimp contacts.

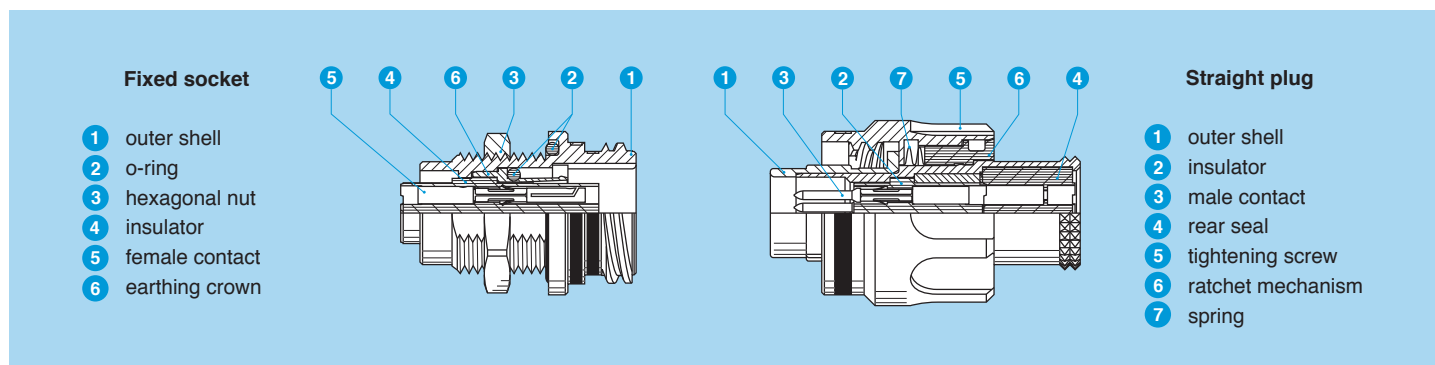
FGN.1M.305.XLCM = straight plug with key (N), arctic grip, 1M series, multipole type with 5 contacts, outer shell in anthracite nickel-plated aluminium alloy, PEEK insulator, male crimp contacts and with MIL-DTL-38999L thread for additional backshell (not supplied).

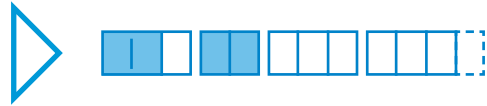
PMN.1M.305.XLMT = free socket with key (N), 1M series, multipole type with 5 contacts, outer shell in anthracite nickel-plated aluminium alloy, PEEK insulator, female crimp contacts and mold stop.

HEN.1M.305.XLNP = fixed socket, nut fixing, with key (N), 1M series, multipole type with 5 contacts, outer shell in anthracite nickel-plated aluminium alloy, PEEK insulator, female print contacts, watertight.

Note: ¹⁾ anthracite colour / 48 hours salt fog resistance. ²⁾ anthracite colour / 500 hours salt fog resistance RoHS 2/REACH.

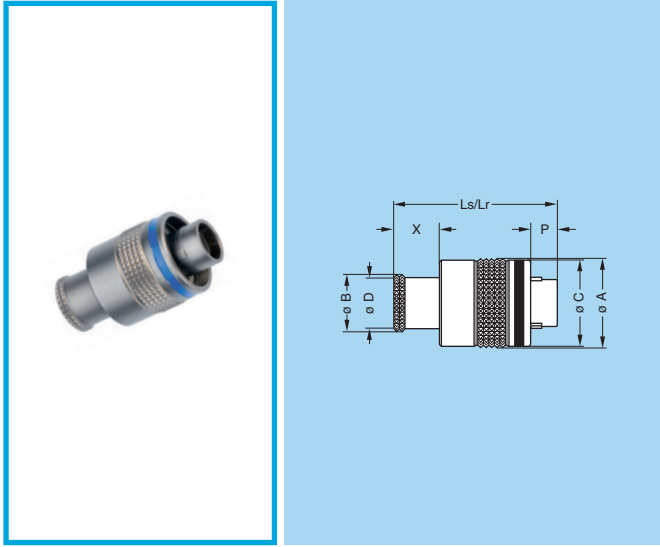
Part Section Showing Internal Components





Metal housing models

FM● Straight plug, key (N) or keys (P, R, S, T, U, V, W and X) with knurled grip

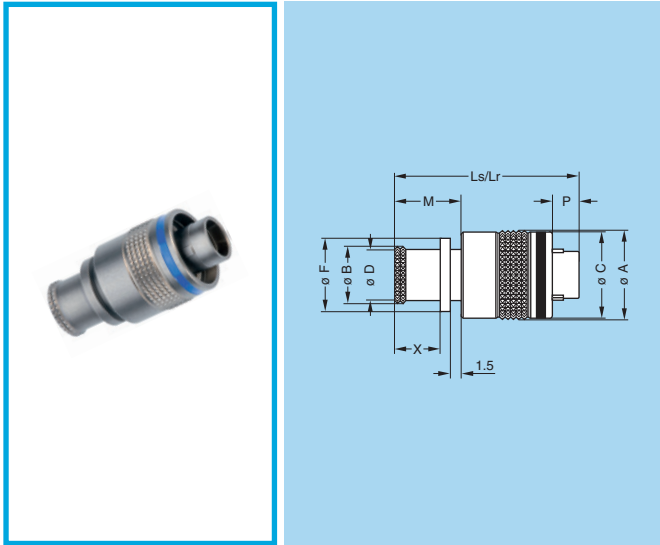


| Reference | | Dimensions (mm) | | | | | | | |
|-----------|--------|-----------------|------|------|------|------|------|-----|-----|
| Model | Series | A | B | C | D | Ls | Lr | P | X |
| FM● | MM | 11.1 | 6.4 | 10.7 | 5.6 | 21.3 | 21.3 | 5.5 | 5.8 |
| FM● | 0M | 13.1 | 8.8 | 12.7 | 8.0 | 24.1 | 24.1 | 3.9 | 6.7 |
| FM● | 1M | 14.6 | 10.5 | 14.2 | 9.7 | 24.1 | 24.1 | 3.9 | 6.7 |
| FM● | 2M | 17.6 | 14.0 | 17.2 | 13.0 | 24.5 | 24.5 | 3.9 | 7.1 |
| FM● | 3M | 19.6 | 16.0 | 19.2 | 15.0 | 24.5 | 24.5 | 3.9 | 7.1 |
| FM● | TM | 22.5 | 17.9 | 22.0 | 16.7 | 28.6 | 28.6 | 3.4 | 7.6 |
| FM● | 4M | 25.0 | 20.7 | 24.5 | 19.5 | 28.6 | 28.6 | 3.4 | 7.6 |
| FM● | LM | 28.5 | 23.9 | 28.0 | 22.7 | 28.6 | 28.6 | 3.4 | 7.6 |
| FM● | 5M | 34.0 | 29.7 | 33.5 | 28.5 | 28.6 | 28.6 | 3.4 | 7.6 |

Part number example: FMN.1M.305.XLC

Note: Ls = standard gender, Lr = reverse gender

FM● Straight plug, key (N) or keys (P, R, S, T, U, V, W and X) with knurled grip and mold stop

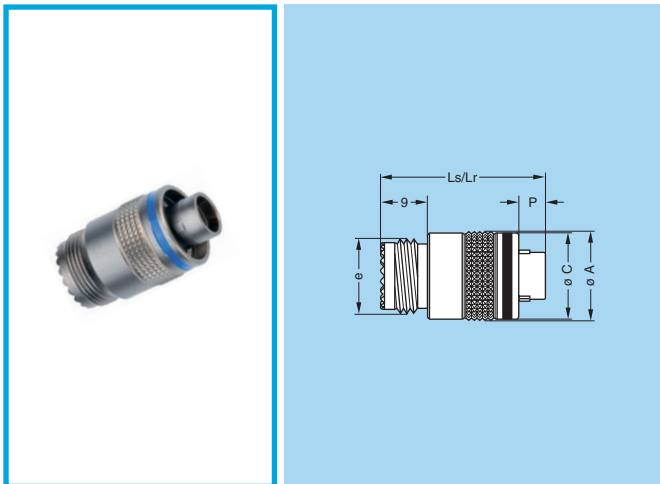


| Reference | | Dimensions (mm) | | | | | | | | | |
|-----------|--------|-----------------|------|------|------|------|------|------|------|-----|-----|
| Model | Series | A | B | C | D | F | Ls | Lr | M | P | X |
| FM● | MM | 11.1 | 6.4 | 10.7 | 5.6 | 7.8 | 24.3 | 24.3 | 8.8 | 5.5 | 5.8 |
| FM● | 0M | 13.1 | 8.8 | 12.7 | 8.0 | 10.7 | 27.1 | 27.1 | 9.7 | 3.9 | 6.7 |
| FM● | 1M | 14.6 | 10.5 | 14.2 | 9.7 | 12.4 | 27.1 | 27.1 | 9.7 | 3.9 | 6.7 |
| FM● | 2M | 17.6 | 14.0 | 17.2 | 13.0 | 15.5 | 27.5 | 27.5 | 10.1 | 3.9 | 7.1 |
| FM● | 3M | 19.6 | 16.0 | 19.2 | 15.0 | 17.5 | 27.5 | 27.5 | 10.1 | 3.9 | 7.1 |
| FM● | TM | 22.5 | 17.9 | 22.0 | 16.7 | 19.8 | 31.6 | 31.6 | 10.6 | 3.4 | 7.6 |
| FM● | 4M | 25.0 | 20.7 | 24.5 | 19.5 | 22.6 | 31.6 | 31.6 | 10.6 | 3.4 | 7.6 |
| FM● | LM | 28.5 | 23.9 | 28.0 | 22.7 | 25.8 | 31.6 | 31.6 | 10.6 | 3.4 | 7.6 |
| FM● | 5M | 34.0 | 29.7 | 33.5 | 28.5 | 31.4 | 31.6 | 31.6 | 10.6 | 3.4 | 7.6 |

Part number example: FMN.1M.305.XLCT

Note: Ls = standard gender, Lr = reverse gender

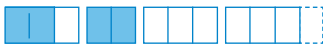
FM● Straight plug, key (N) or keys (P, R, S, T, U, V, W and X) with knurled grip and MIL-DTL-38999L shell thread



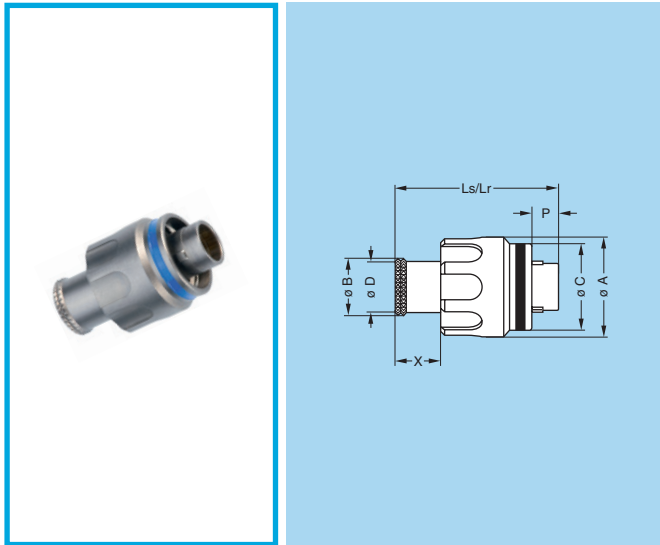
| Reference | | Dimensions (mm) | | | | | | |
|-----------|--------|-----------------|------|---------|------|------|-----|--------------------|
| Model | Series | A | C | e | Ls | Lr | P | Code ¹⁾ |
| FM● | 1M | 14.6 | 14.2 | M12x1.0 | 26.4 | 26.4 | 3.9 | A |
| FM● | 2M | 17.6 | 17.2 | M15x1.0 | 26.4 | 26.4 | 3.9 | B |
| FM● | 3M | 19.6 | 19.2 | M18x1.0 | 26.4 | 26.4 | 3.9 | C |
| FM● | TM | 22.5 | 22.0 | M18x1.0 | 30.0 | 30.0 | 3.4 | C |
| FM● | 4M | 25.0 | 24.5 | M22x1.0 | 30.0 | 30.0 | 3.4 | D |
| FM● | LM | 28.5 | 28.0 | M25x1.0 | 30.0 | 30.0 | 3.4 | E |
| FM● | 5M | 34.0 | 33.5 | M31x1.0 | 30.0 | 30.0 | 3.4 | G |

Part number example: FMN.1M.305.XLCM

Note: Ls = standard gender, Lr = reverse gender. ¹⁾ MIL-DTL-38999L shell size code (backshell not supplied).



FG● Straight plug, key (N) or keys (P, R, S, T, U, V, W and X) with arctic grip

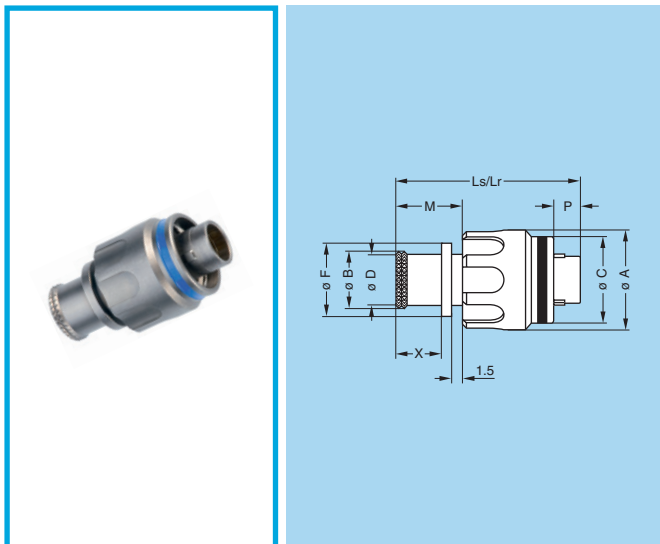


| Reference | | Dimensions (mm) | | | | | | | |
|-----------|--------|-----------------|------|------|------|------|------|-----|-----|
| Model | Series | A | B | C | D | Ls | Lr | P | X |
| FG● | MM | 12.0 | 6.4 | 10.7 | 5.6 | 21.3 | 21.3 | 5.5 | 5.8 |
| FG● | 0M | 14.4 | 8.8 | 12.7 | 8.0 | 24.1 | 24.1 | 3.9 | 6.7 |
| FG● | 1M | 15.9 | 10.5 | 14.2 | 9.7 | 24.1 | 24.1 | 3.9 | 6.7 |
| FG● | 2M | 18.9 | 14.0 | 17.2 | 13.0 | 24.5 | 24.5 | 3.9 | 7.1 |
| FG● | 3M | 20.9 | 16.0 | 19.2 | 15.0 | 24.5 | 24.5 | 3.9 | 7.1 |
| FG● | TM | 23.4 | 17.9 | 22.0 | 16.7 | 28.6 | 28.6 | 3.4 | 7.6 |
| FG● | 4M | 25.9 | 20.7 | 24.5 | 19.5 | 28.6 | 28.6 | 3.4 | 7.6 |
| FG● | LM | 29.4 | 23.9 | 28.0 | 22.7 | 28.6 | 28.6 | 3.4 | 7.6 |
| FG● | 5M | 34.9 | 29.7 | 33.5 | 28.5 | 28.6 | 28.6 | 3.4 | 7.6 |

Part number example: FGN.1M.305.XLC

Note: Ls = standard gender, Lr = reverse gender

FG● Straight plug, key (N) or keys (P, R, S, T, U, V, W and X) with arctic grip and mold stop

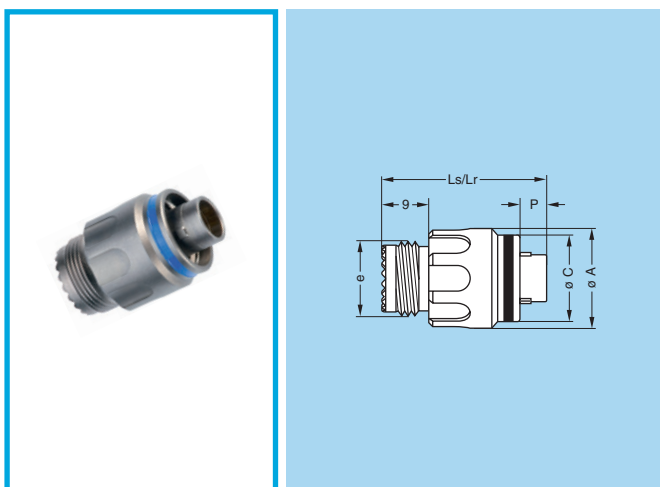


| Reference | | Dimensions (mm) | | | | | | | | | |
|-----------|--------|-----------------|------|------|------|------|------|------|------|-----|-----|
| Model | Series | A | B | C | D | F | Ls | Lr | M | P | X |
| FG● | MM | 12.0 | 6.4 | 10.7 | 5.6 | 7.8 | 24.3 | 24.3 | 8.8 | 5.5 | 5.8 |
| FG● | 0M | 14.4 | 8.8 | 12.7 | 8.0 | 10.7 | 27.1 | 27.1 | 9.7 | 3.9 | 6.7 |
| FG● | 1M | 15.9 | 10.5 | 14.2 | 9.7 | 12.4 | 27.1 | 27.1 | 9.7 | 3.9 | 6.7 |
| FG● | 2M | 18.9 | 14.0 | 17.2 | 13.0 | 15.5 | 27.5 | 27.5 | 10.1 | 3.9 | 7.1 |
| FG● | 3M | 20.9 | 16.0 | 19.2 | 15.0 | 17.5 | 27.5 | 27.5 | 10.1 | 3.9 | 7.1 |
| FG● | TM | 23.4 | 17.9 | 22.0 | 16.7 | 19.8 | 31.6 | 31.6 | 10.6 | 3.4 | 7.6 |
| FG● | 4M | 25.9 | 20.7 | 24.5 | 19.5 | 22.6 | 31.6 | 31.6 | 10.6 | 3.4 | 7.6 |
| FG● | LM | 29.4 | 23.9 | 28.0 | 22.7 | 25.8 | 31.6 | 31.6 | 10.6 | 3.4 | 7.6 |
| FG● | 5M | 34.9 | 29.7 | 33.5 | 28.5 | 31.4 | 31.6 | 31.6 | 10.6 | 3.4 | 7.6 |

Part number example: FGN.1M.305.XLCT

Note: Ls = standard gender, Lr = reverse gender

FG● Straight plug, key (N) or keys (P, R, S, T, U, V, W and X) with arctic grip and MIL-DTL-38999L shell thread

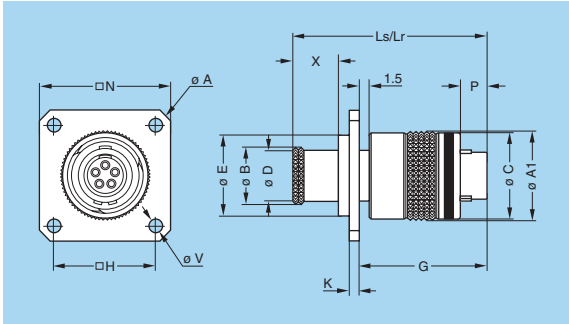


| Reference | | Dimensions (mm) | | | | | | |
|-----------|--------|-----------------|------|---------|------|------|-----|--------------------|
| Model | Series | A | C | e | Ls | Lr | P | Code ¹⁾ |
| FG● | 1M | 15.9 | 14.2 | M12x1.0 | 26.4 | 26.4 | 3.9 | A |
| FG● | 2M | 18.9 | 17.2 | M15x1.0 | 26.4 | 26.4 | 3.9 | B |
| FG● | 3M | 20.9 | 19.2 | M18x1.0 | 26.4 | 26.4 | 3.9 | C |
| FG● | TM | 23.4 | 22.0 | M18x1.0 | 30.0 | 30.0 | 3.4 | C |
| FG● | 4M | 25.9 | 24.5 | M22x1.0 | 30.0 | 30.0 | 3.4 | D |
| FG● | LM | 29.4 | 28.0 | M25x1.0 | 30.0 | 30.0 | 3.4 | E |
| FG● | 5M | 34.9 | 33.5 | M31x1.0 | 30.0 | 30.0 | 3.4 | G |

Part number example: FGN.1M.305.XLCM

Note: Ls = standard gender, Lr = reverse gender. ¹⁾ MIL-DTL-38999L shell size code (backshell not supplied).

FX● Straight plug with square flange, key (N) or keys (P, R, S, T, U, V, W and X) with knurled grip

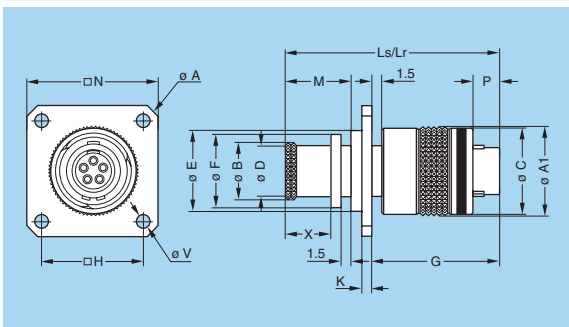


| Reference | | Dimensions (mm) | | | | | | | | | | | | |
|-----------|--------|-----------------|------|------|------|------|------|------|------|-----|------|------|------|-----|
| Model | Series | A | A1 | B | C | D | E | G | H | K | LS | Lr | N | V |
| FX● | MM | 21.5 | 11.1 | 6.4 | 10.7 | 5.6 | 9.5 | 17.0 | 12.0 | 1.5 | 26.1 | 26.1 | 17.0 | 2.7 |
| FX● | 0M | 26.9 | 13.1 | 8.8 | 12.7 | 8.0 | 12.2 | 18.9 | 15.1 | 1.5 | 29.1 | 29.1 | 20.6 | 2.7 |
| FX● | 1M | 31.4 | 14.6 | 10.5 | 14.2 | 9.7 | 13.7 | 18.9 | 18.3 | 1.5 | 29.1 | 29.1 | 23.8 | 3.3 |
| FX● | 2M | 34.6 | 17.6 | 14.0 | 17.2 | 13.0 | 16.7 | 18.9 | 20.6 | 1.5 | 29.5 | 29.5 | 26.1 | 3.3 |
| FX● | 3M | 34.6 | 19.6 | 16.0 | 19.2 | 15.0 | 18.7 | 18.9 | 20.6 | 1.5 | 29.5 | 29.5 | 26.1 | 3.3 |
| FX● | TM | 38.0 | 22.5 | 17.9 | 22.0 | 16.7 | 21.5 | 22.5 | 23.0 | 2.0 | 34.8 | 34.8 | 28.5 | 3.3 |
| FX● | 4M | 40.3 | 25.0 | 20.7 | 24.5 | 19.5 | 24.0 | 22.5 | 24.6 | 2.0 | 34.8 | 34.8 | 30.1 | 3.3 |
| FX● | LM | 43.7 | 28.5 | 23.9 | 28.0 | 22.7 | 27.5 | 22.5 | 27.0 | 2.0 | 34.8 | 34.8 | 32.5 | 3.3 |
| FX● | 5M | 47.0 | 34.0 | 29.7 | 33.5 | 28.5 | 33.0 | 22.5 | 29.4 | 2.0 | 34.8 | 34.8 | 37.0 | 3.3 |

Part number example: FXN.1M.305.XLC

Note: The dimensions «P» and «X» are the same as the FM● models.
Ls = standard gender, Lr = reverse gender.

FX● Straight plug with square flange, key (N) or keys (P, R, S, T, U, V, W and X) with knurled grip and mold stop

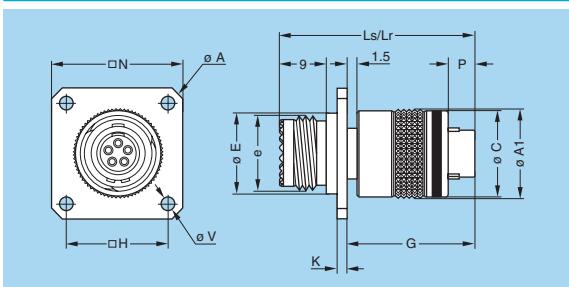


| Reference | | Dimensions (mm) | | | | | | | | | | | | |
|-----------|--------|-----------------|------|------|------|------|------|------|------|-----|------|------|------|-----|
| Model | Series | A | A1 | B | C | D | E | G | H | K | LS | Lr | N | V |
| FX● | MM | 21.5 | 11.1 | 6.4 | 10.7 | 5.6 | 9.5 | 17.0 | 12.0 | 1.5 | 29.1 | 29.1 | 17.0 | 2.7 |
| FX● | 0M | 26.9 | 13.1 | 8.8 | 12.7 | 8.0 | 12.2 | 18.9 | 15.1 | 1.5 | 32.1 | 32.1 | 20.6 | 2.7 |
| FX● | 1M | 31.4 | 14.6 | 10.5 | 14.2 | 9.7 | 13.7 | 18.9 | 18.3 | 1.5 | 32.1 | 32.1 | 23.8 | 3.3 |
| FX● | 2M | 34.6 | 17.6 | 14.0 | 17.2 | 13.0 | 16.7 | 18.9 | 20.6 | 1.5 | 32.5 | 32.5 | 26.1 | 3.3 |
| FX● | 3M | 34.6 | 19.6 | 16.0 | 19.2 | 15.0 | 18.7 | 18.9 | 20.6 | 1.5 | 32.5 | 32.5 | 26.1 | 3.3 |
| FX● | TM | 38.0 | 22.5 | 17.9 | 22.0 | 16.7 | 21.5 | 22.5 | 23.0 | 2.0 | 37.8 | 37.8 | 28.5 | 3.3 |
| FX● | 4M | 40.3 | 25.0 | 20.7 | 24.5 | 19.5 | 24.0 | 22.5 | 24.6 | 2.0 | 37.8 | 37.8 | 30.1 | 3.3 |
| FX● | LM | 43.7 | 28.5 | 23.9 | 28.0 | 22.7 | 27.5 | 22.5 | 27.0 | 2.0 | 37.8 | 37.8 | 32.5 | 3.3 |
| FX● | 5M | 47.0 | 34.0 | 29.7 | 33.5 | 28.5 | 33.0 | 22.5 | 29.4 | 2.0 | 37.8 | 37.8 | 37.0 | 3.3 |

Part number example: FXN.1M.305.XLCT

Note: The dimensions «F», «M», «P» and «X» are the same as the FM● models.
Ls = standard gender, Lr = reverse gender.

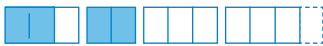
FX● Straight plug with square flange, key (N) or keys (P, R, S, T, U, V, W and X) with knurled grip and MIL-DTL-38999L shell thread



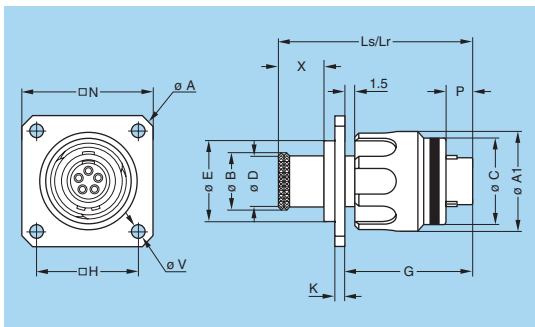
| Reference | | Dimensions (mm) | | | | | | | | | | |
|-----------|--------|-----------------|------|------|---------|------|------|------|-----|------|------|--------------------|
| Model | Series | A | A1 | C | e | E | G | H | K | LS | Lr | Code ¹⁾ |
| FX● | 1M | 31.4 | 14.6 | 14.2 | M12x1.0 | 13.7 | 18.9 | 18.3 | 1.5 | 31.4 | 31.4 | A |
| FX● | 2M | 34.6 | 17.6 | 17.2 | M15x1.0 | 16.7 | 18.9 | 20.6 | 1.5 | 31.4 | 31.4 | B |
| FX● | 3M | 34.6 | 19.6 | 19.2 | M18x1.0 | 18.7 | 18.9 | 20.6 | 1.5 | 31.4 | 31.4 | C |
| FX● | TM | 38.0 | 22.5 | 22.0 | M18x1.0 | 21.5 | 22.5 | 23.0 | 2.0 | 36.2 | 36.2 | C |
| FX● | 4M | 40.3 | 25.0 | 24.5 | M22x1.0 | 24.0 | 22.5 | 24.6 | 2.0 | 36.2 | 36.2 | D |
| FX● | LM | 43.7 | 28.5 | 28.0 | M25x1.0 | 27.5 | 22.5 | 27.0 | 2.0 | 36.2 | 36.2 | E |
| FX● | 5M | 47.0 | 34.0 | 33.5 | M31x1.0 | 33.0 | 22.5 | 29.4 | 2.0 | 36.2 | 36.2 | F |

Part number example: FXN.1M.305.XLCM

Note: The dimensions «N» and «V» are the same as the FX● models and the dimension «P» is the same as the FM● models. Ls = standard gender, Lr = reverse gender.
¹⁾ MIL-DTL-38999L shell size code (backshell not supplied).



FW● Straight plug with square flange, key (N) or keys (P, R, S, T, U, V, W and X) with arctic grip

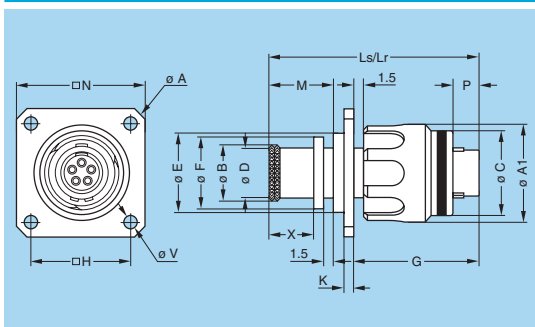


| Reference | | Dimensions (mm) | | | | | | | | | | | | |
|-----------|--------|-----------------|------|------|------|------|------|------|------|-----|------|------|------|-----|
| Model | Series | A | A1 | B | C | D | E | G | H | K | Ls | Lr | N | V |
| FW● | MM | 21.5 | 12.0 | 6.4 | 10.7 | 5.6 | 9.5 | 17.0 | 12.0 | 1.5 | 26.1 | 26.1 | 17.0 | 2.7 |
| FW● | 0M | 26.9 | 14.4 | 8.8 | 12.7 | 8.0 | 12.2 | 18.9 | 15.1 | 1.5 | 29.1 | 29.1 | 20.6 | 2.7 |
| FW● | 1M | 31.4 | 15.9 | 10.5 | 14.2 | 9.7 | 13.7 | 18.9 | 18.3 | 1.5 | 29.1 | 29.1 | 23.8 | 3.3 |
| FW● | 2M | 34.6 | 18.9 | 14.0 | 17.2 | 13.0 | 16.7 | 18.9 | 20.6 | 1.5 | 29.5 | 29.5 | 26.1 | 3.3 |
| FW● | 3M | 34.6 | 20.9 | 16.0 | 19.2 | 15.0 | 18.7 | 18.9 | 20.6 | 1.5 | 29.5 | 29.5 | 26.1 | 3.3 |
| FW● | TM | 38.0 | 23.4 | 17.9 | 22.0 | 16.7 | 21.5 | 22.5 | 23.0 | 2.0 | 34.8 | 34.8 | 28.5 | 3.3 |
| FW● | 4M | 40.3 | 25.9 | 20.7 | 24.5 | 19.5 | 24.0 | 22.5 | 24.6 | 2.0 | 34.8 | 34.8 | 30.1 | 3.3 |
| FW● | LM | 43.7 | 29.4 | 23.9 | 28.0 | 22.7 | 27.5 | 22.5 | 27.0 | 2.0 | 34.8 | 34.8 | 32.5 | 3.3 |
| FW● | 5M | 47.0 | 34.9 | 29.7 | 33.5 | 28.5 | 33.0 | 22.5 | 29.4 | 2.0 | 34.8 | 34.8 | 37.0 | 3.3 |

Part number example: FWN.1M.305.XLC

Note: The dimensions «P» and «X» are the same as the FM● models.
Ls = standard gender, Lr = reverse gender.

FW● Straight plug with square flange, key (N) or keys (P, R, S, T, U, V, W and X) with arctic grip and mold stop

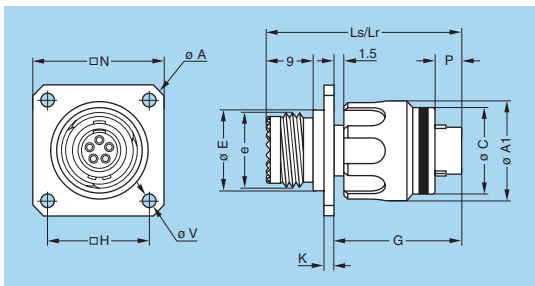


| Reference | | Dimensions (mm) | | | | | | | | | | | | |
|-----------|--------|-----------------|------|------|------|------|------|------|------|-----|------|------|------|-----|
| Model | Series | A | A1 | B | C | D | E | G | H | K | Ls | Lr | N | V |
| FW● | MM | 21.5 | 12.0 | 6.4 | 10.7 | 5.6 | 9.5 | 17.0 | 12.0 | 1.5 | 29.1 | 29.1 | 17.0 | 2.7 |
| FW● | 0M | 26.9 | 14.4 | 8.8 | 12.7 | 8.0 | 12.2 | 18.9 | 15.1 | 1.5 | 32.1 | 32.1 | 20.6 | 2.7 |
| FW● | 1M | 31.4 | 15.9 | 10.5 | 14.2 | 9.7 | 13.7 | 18.9 | 18.3 | 1.5 | 32.1 | 32.1 | 23.8 | 3.3 |
| FW● | 2M | 34.6 | 18.9 | 14.0 | 17.2 | 13.0 | 16.7 | 18.9 | 20.6 | 1.5 | 32.5 | 32.5 | 26.1 | 3.3 |
| FW● | 3M | 34.6 | 20.9 | 16.0 | 19.2 | 15.0 | 18.7 | 18.9 | 20.6 | 1.5 | 32.5 | 32.5 | 26.1 | 3.3 |
| FW● | TM | 38.0 | 23.4 | 17.9 | 22.0 | 16.7 | 21.5 | 22.5 | 23.0 | 2.0 | 37.8 | 37.8 | 28.5 | 3.3 |
| FW● | 4M | 40.3 | 25.9 | 20.7 | 24.5 | 19.5 | 24.0 | 22.5 | 24.6 | 2.0 | 37.8 | 37.8 | 30.1 | 3.3 |
| FW● | LM | 43.7 | 29.4 | 23.9 | 28.0 | 22.7 | 27.5 | 22.5 | 27.0 | 2.0 | 37.8 | 37.8 | 32.5 | 3.3 |
| FW● | 5M | 47.0 | 34.9 | 29.7 | 33.5 | 28.5 | 33.0 | 22.5 | 29.4 | 2.0 | 37.8 | 37.8 | 37.0 | 3.3 |

Part number example: FWN.1M.305.XLCT

Note: The dimensions «F», «M», «P» and «X» are the same as the FM● models.
Ls = standard gender, Lr = reverse gender.

FW● Straight plug with square flange, key (N) or keys (P, R, S, T, U, V, W and X) with arctic grip and MIL-DTL-38999L shell thread

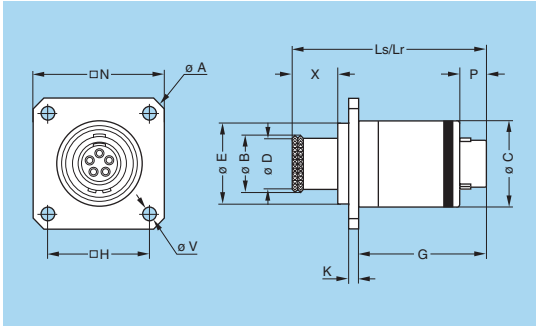


| Reference | | Dimensions (mm) | | | | | | | | | | |
|-----------|--------|-----------------|------|------|---------|------|------|------|-----|------|------|--------------------|
| Model | Series | A | A1 | C | e | E | G | H | K | Ls | Lr | Code ¹⁾ |
| FW● | 1M | 31.4 | 15.9 | 14.2 | M12x1.0 | 13.7 | 18.9 | 18.3 | 1.5 | 31.4 | 31.4 | A |
| FW● | 2M | 34.6 | 18.9 | 17.2 | M15x1.0 | 16.7 | 18.9 | 20.6 | 1.5 | 31.4 | 31.4 | B |
| FW● | 3M | 34.6 | 20.9 | 19.2 | M18x1.0 | 18.7 | 18.9 | 20.6 | 1.5 | 31.4 | 31.4 | C |
| FW● | TM | 38.0 | 23.4 | 22.0 | M18x1.0 | 21.5 | 22.5 | 23.0 | 2.0 | 36.2 | 36.2 | C |
| FW● | 4M | 40.3 | 25.9 | 24.5 | M22x1.0 | 24.0 | 22.5 | 24.6 | 2.0 | 36.2 | 36.2 | D |
| FW● | LM | 43.7 | 29.4 | 28.0 | M25x1.0 | 27.5 | 22.5 | 27.0 | 2.0 | 36.2 | 36.2 | E |
| FW● | 5M | 47.0 | 34.9 | 33.5 | M31x1.0 | 33.0 | 22.5 | 29.4 | 2.0 | 36.2 | 36.2 | F |

Part number example: FWN.1M.305.XLCM

Note: The dimensions «N» and «V» are the same as the FW● models and the dimension «P» is the same as the FM● models. Ls = standard gender, Lr = reverse gender.
¹⁾ MIL-DTL-38999L shell size code (backshell not supplied).

FA● Straight plug with square flange, non-coupling, key (N) or keys (P, R, S, T, U, V, W and X)

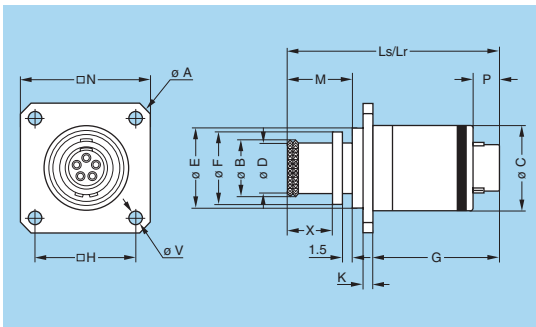


| Reference | | Dimensions (mm) | | | | | | | | | | | | |
|-----------|--------|-----------------|------|------|------|------|------|------|-----|------|------|------|-----|-----|
| Model | Series | A | B | C | D | E | G | H | K | Ls | Lr | N | P | V |
| FA● | MM | 21.5 | 6.4 | 10.7 | 5.6 | 9.5 | 17.0 | 12.0 | 1.5 | 26.1 | 26.1 | 17.0 | 5.5 | 2.7 |
| FA● | 0M | 26.9 | 8.8 | 12.7 | 8.0 | 12.2 | 18.9 | 15.1 | 1.5 | 29.1 | 29.1 | 20.6 | 3.9 | 2.7 |
| FA● | 1M | 31.4 | 10.5 | 14.2 | 9.7 | 13.7 | 18.9 | 18.3 | 1.5 | 29.1 | 29.1 | 23.8 | 3.9 | 3.3 |
| FA● | 2M | 34.6 | 14.0 | 17.2 | 13.0 | 16.7 | 18.9 | 20.6 | 1.5 | 29.5 | 29.5 | 26.1 | 3.9 | 3.3 |
| FA● | 3M | 34.6 | 16.0 | 19.2 | 15.0 | 18.7 | 18.9 | 20.6 | 1.5 | 29.5 | 29.5 | 26.1 | 3.9 | 3.3 |
| FA● | TM | 38.0 | 17.9 | 22.0 | 16.7 | 21.5 | 22.5 | 23.0 | 2.0 | 34.8 | 34.8 | 28.5 | 3.4 | 3.3 |
| FA● | 4M | 40.3 | 20.7 | 24.5 | 19.5 | 24.0 | 22.5 | 24.6 | 2.0 | 34.8 | 34.8 | 30.1 | 3.4 | 3.3 |
| FA● | LM | 43.7 | 23.9 | 28.0 | 22.7 | 27.5 | 22.5 | 27.0 | 2.0 | 34.8 | 34.8 | 32.5 | 3.4 | 3.3 |
| FA● | 5M | 47.0 | 29.7 | 33.5 | 28.5 | 33.0 | 22.5 | 29.4 | 2.0 | 34.8 | 34.8 | 37.0 | 3.4 | 3.3 |

Part number example: FAN.1M.305.XLC

Note: The dimension «X» is the same as the FM● models.
Ls = standard gender, Lr = reverse gender.

FA● Straight plug with square flange, non-coupling, key (N) or keys (P, R, S, T, U, V, W and X) with mold stop

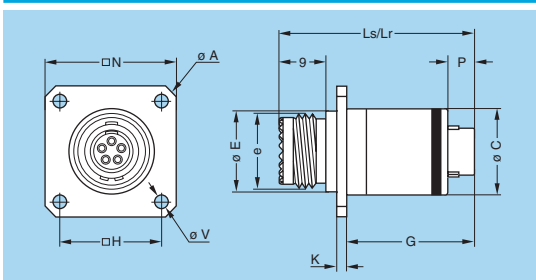


| Reference | | Dimensions (mm) | | | | | | | | | | | | |
|-----------|--------|-----------------|------|------|------|------|------|------|-----|------|------|------|-----|-----|
| Model | Series | A | B | C | D | E | G | H | K | Ls | Lr | N | P | V |
| FA● | MM | 21.5 | 6.4 | 10.7 | 5.6 | 9.5 | 17.0 | 12.0 | 1.5 | 29.1 | 29.1 | 17.0 | 5.5 | 2.7 |
| FA● | 0M | 26.9 | 8.8 | 12.7 | 8.0 | 12.2 | 18.9 | 15.1 | 1.5 | 32.1 | 32.1 | 20.6 | 3.9 | 2.7 |
| FA● | 1M | 31.4 | 10.5 | 14.2 | 9.7 | 13.7 | 18.9 | 18.3 | 1.5 | 32.1 | 32.1 | 23.8 | 3.9 | 3.3 |
| FA● | 2M | 34.6 | 14.0 | 17.2 | 13.0 | 16.7 | 18.9 | 20.6 | 1.5 | 32.5 | 32.5 | 26.1 | 3.9 | 3.3 |
| FA● | 3M | 34.6 | 16.0 | 19.2 | 15.0 | 18.7 | 18.9 | 20.6 | 1.5 | 32.5 | 32.5 | 26.1 | 3.9 | 3.3 |
| FA● | TM | 38.0 | 17.9 | 22.0 | 16.7 | 21.5 | 22.5 | 23.0 | 2.0 | 37.8 | 37.8 | 28.5 | 3.4 | 3.3 |
| FA● | 4M | 40.3 | 20.7 | 24.5 | 19.5 | 24.0 | 22.5 | 24.6 | 2.0 | 37.8 | 37.8 | 30.1 | 3.4 | 3.3 |
| FA● | LM | 43.7 | 23.9 | 28.0 | 22.7 | 27.5 | 22.5 | 27.0 | 2.0 | 37.8 | 37.8 | 32.5 | 3.4 | 3.3 |
| FA● | 5M | 47.0 | 29.7 | 33.5 | 28.5 | 33.0 | 22.5 | 29.4 | 2.0 | 37.8 | 37.8 | 37.0 | 3.4 | 3.3 |

Part number example: FAN.1M.305.XLC

Note: The dimension «X» is the same as the FM● models.
Ls = standard gender, Lr = reverse gender.

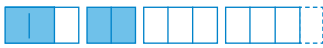
FA● Straight plug with square flange, non-coupling, key (N) or keys (P, R, S, T, U, V, W and X) with MIL-DTL-38999L shell thread



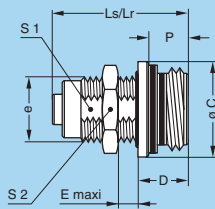
| Reference | | Dimensions (mm) | | | | | | | | | | |
|-----------|--------|-----------------|------|---------|------|------|------|-----|------|------|------|--------------------|
| Model | Series | A | C | e | E | G | H | K | Ls | Lr | N | Code ¹⁾ |
| FA● | 1M | 31.4 | 14.2 | M12x1.0 | 13.7 | 18.9 | 18.3 | 1.5 | 31.4 | 31.4 | 23.8 | A |
| FA● | 2M | 34.6 | 17.2 | M15x1.0 | 16.7 | 18.9 | 20.6 | 1.5 | 31.4 | 31.4 | 26.1 | B |
| FA● | 3M | 34.6 | 19.2 | M18x1.0 | 18.7 | 18.9 | 20.6 | 1.5 | 31.4 | 31.4 | 26.1 | C |
| FA● | TM | 38.0 | 22.0 | M18x1.0 | 21.5 | 22.5 | 23.0 | 2.0 | 36.2 | 36.2 | 28.5 | C |
| FA● | 4M | 40.3 | 24.5 | M22x1.0 | 24.0 | 22.5 | 24.6 | 2.0 | 36.2 | 36.2 | 30.1 | D |
| FA● | LM | 43.7 | 28.0 | M25x1.0 | 27.5 | 22.5 | 27.0 | 2.0 | 36.2 | 36.2 | 32.5 | E |
| FA● | 5M | 47.0 | 33.5 | M31x1.0 | 33.0 | 22.5 | 29.4 | 2.0 | 36.2 | 36.2 | 37.0 | F |

Part number example: FAN.1M.305.XLCM

Note: The dimensions «P» and «V» are the same as the FA● models.
Ls = standard gender, Lr = reverse gender. ¹⁾ MIL-DTL-38999L shell size code (backshell not supplied).



EG● Fixed socket, nut fixing, key (N) or keys (P, R, S, T, U, V, W and X)



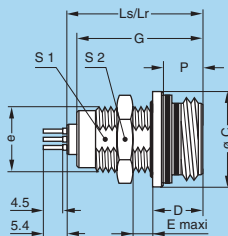
| Reference | | Dimensions (mm) | | | | | | | | |
|-----------|--------|-----------------|-----|---------|-----|------|------|-----|------|------|
| Model | Series | C | D | e | E | Ls | Lr | P | S1 | S2 |
| EG● | MM | 10.7 | 5.2 | M7x0.5 | 4.5 | 15.0 | 15.0 | 3.7 | 6.3 | 9.0 |
| EG● | 0M | 12.7 | 6.8 | M9x0.6 | 5.0 | 18.3 | 18.3 | 5.3 | 8.2 | 11.0 |
| EG● | 1M | 14.2 | 6.8 | M11x1.0 | 4.5 | 18.3 | 18.3 | 5.3 | 9.5 | 13.0 |
| EG● | 2M | 17.2 | 6.8 | M14x1.0 | 4.5 | 18.3 | 18.3 | 5.3 | 12.5 | 17.0 |
| EG● | 3M | 19.2 | 6.8 | M16x1.0 | 4.0 | 18.3 | 18.3 | 5.3 | 14.5 | 19.0 |
| EG● | TM | 22.0 | 9.4 | M18x1.0 | 4.0 | 20.0 | 21.9 | 7.9 | 16.5 | 22.0 |
| EG● | 4M | 24.5 | 9.4 | M21x1.0 | 4.0 | 20.0 | 21.9 | 7.9 | 19.5 | 25.0 |
| EG● | LM | 28.0 | 9.4 | M24x1.0 | 4.0 | 20.0 | 21.9 | 7.9 | 22.5 | 30.0 |
| EG● | 5M | 33.5 | 9.4 | M30x1.0 | 4.0 | 20.0 | 21.9 | 7.9 | 28.5 | 36.0 |

Part number example: EGN.1M.305.XLM

Panel cut-out (page 36).

Note: Ls = standard gender, Lr = reverse gender

EG● Fixed socket, nut fixing, key (N) or keys (P, R, S, T, U, V, W and X) for printed circuit



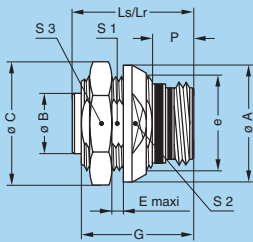
| Reference | | Dimensions (mm) | | | | | | | | | |
|-----------|--------|-----------------|-----|---------|-----|------|------|------|-----|------|------|
| Model | Series | C | D | e | E | G | Ls | Lr | P | S1 | S2 |
| EG● | MM | 10.7 | 5.2 | M7x0.5 | 4.5 | 13.8 | 15.0 | 15.0 | 3.7 | 6.3 | 9.0 |
| EG● | 0M | 12.7 | 6.8 | M9x0.6 | 5.0 | 16.8 | 18.3 | 18.3 | 5.3 | 8.2 | 11.0 |
| EG● | 1M | 14.2 | 6.8 | M11x1.0 | 4.5 | 16.8 | 18.3 | 18.3 | 5.3 | 9.5 | 13.0 |
| EG● | 2M | 17.2 | 6.8 | M14x1.0 | 4.5 | 16.8 | 18.3 | 18.3 | 5.3 | 12.5 | 17.0 |
| EG● | 3M | 19.2 | 6.8 | M16x1.0 | 4.0 | 16.8 | 18.3 | 18.3 | 5.3 | 14.5 | 19.0 |
| EG● | TM | 22.0 | 9.4 | M18x1.0 | 4.0 | 18.9 | 20.0 | 21.9 | 7.9 | 16.5 | 22.0 |
| EG● | 4M | 24.5 | 9.4 | M21x1.0 | 4.0 | 18.9 | 20.0 | 21.9 | 7.9 | 19.5 | 25.0 |
| EG● | LM | 28.0 | 9.4 | M24x1.0 | 4.0 | 18.9 | 20.0 | 21.9 | 7.9 | 22.5 | 30.0 |
| EG● | 5M | 33.5 | 9.4 | M30x1.0 | 4.0 | 18.9 | 20.0 | 21.9 | 7.9 | 28.5 | 36.0 |

Part number example: EGN.1M.305.XLN

Panel cut-out (page 36). PCB drilling pattern (page 37).

Note: Ls = standard gender, Lr = reverse gender

EC● Fixed socket with two nuts, key (N) or keys (P, R, S, T, U, V, W and X)



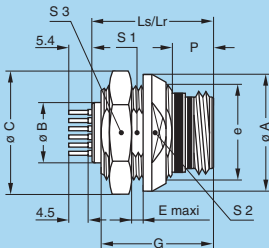
| Reference | | Dimensions (mm) | | | | | | | | | | | |
|-----------|--------|-----------------|-------|------|-----|----------|------|------|------|-----|------|------|------|
| Model | Series | A | B | C | E | e | G | Ls | Lr | P | S1 | S2 | S3 |
| EC● | MM | 14 | 2.85 | 13.5 | 5.0 | M10x0.50 | 13.8 | 15.0 | 15.0 | 3.7 | 9.0 | 11.0 | 12.0 |
| EC● | 0M | 17 | 4.72 | 18.2 | 5.0 | M13x0.75 | 16.8 | 18.3 | 18.3 | 5.3 | 11.5 | 14.0 | 16.0 |
| EC● | 1M | 18 | 5.95 | 19.2 | 5.0 | M14x1.00 | 16.8 | 18.3 | 18.3 | 5.3 | 12.5 | 16.0 | 17.0 |
| EC● | 2M | 21 | 8.95 | 21.5 | 4.0 | M17x1.00 | 16.8 | 18.3 | 18.3 | 5.3 | 15.5 | 18.0 | 19.0 |
| EC● | 3M | 23 | 10.95 | 25.0 | 4.0 | M19x1.00 | 16.8 | 18.3 | 18.3 | 5.3 | 17.5 | 20.0 | 22.0 |
| EC● | TM | 27 | 12.30 | 28.0 | 2.5 | M22x1.00 | 18.9 | 20.0 | 21.9 | 7.9 | 20.5 | 23.0 | 25.0 |
| EC● | 4M | 29 | 13.95 | 34.0 | 2.5 | M24x1.00 | 18.9 | 20.0 | 21.9 | 7.9 | 22.5 | 25.0 | 30.0 |
| EC● | LM | 33 | 17.95 | 36.0 | 2.5 | M28x1.00 | 18.9 | 20.0 | 21.9 | 7.9 | 26.5 | 29.0 | 32.0 |
| EC● | 5M | 38 | 22.90 | 41.0 | 2.5 | M33x1.00 | 18.9 | 20.0 | 21.9 | 7.9 | 31.5 | 34.0 | 37.0 |

Part number example: ECN.1M.305.XLM

Panel cut-out (page 36).

Note: Ls = standard gender, Lr = reverse gender. This model is not IP68 (no panel sealing).

EC● Fixed socket with two nuts, key (N) or keys (P, R, S, T, U, V, W and X) for printed circuit

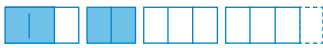


| Reference | | Dimensions (mm) | | | | | | | | | | | |
|-----------|--------|-----------------|-------|------|-----|----------|------|------|------|-----|------|------|------|
| Model | Series | A | B | C | E | e | G | Ls | Lr | P | S1 | S2 | S3 |
| EC● | MM | 14 | 2.85 | 13.5 | 5.0 | M10x0.50 | 13.8 | 15.0 | 15.0 | 3.7 | 9.0 | 11.0 | 12.0 |
| EC● | 0M | 17 | 4.72 | 18.2 | 5.0 | M13x0.75 | 16.8 | 18.3 | 18.3 | 5.3 | 11.5 | 14.0 | 16.0 |
| EC● | 1M | 18 | 5.95 | 19.2 | 5.0 | M14x1.00 | 16.8 | 18.3 | 18.3 | 5.3 | 12.5 | 16.0 | 17.0 |
| EC● | 2M | 21 | 8.95 | 21.5 | 4.0 | M17x1.00 | 16.8 | 18.3 | 18.3 | 5.3 | 15.5 | 18.0 | 19.0 |
| EC● | 3M | 23 | 10.95 | 25.0 | 4.0 | M19x1.00 | 16.8 | 18.3 | 18.3 | 5.3 | 17.5 | 20.0 | 22.0 |
| EC● | TM | 27 | 12.30 | 28.0 | 2.5 | M22x1.00 | 18.9 | 20.0 | 21.9 | 7.9 | 20.5 | 23.0 | 25.0 |
| EC● | 4M | 29 | 13.95 | 34.0 | 2.5 | M24x1.00 | 18.9 | 20.0 | 21.9 | 7.9 | 22.5 | 25.0 | 30.0 |
| EC● | LM | 33 | 17.95 | 36.0 | 2.5 | M28x1.00 | 18.9 | 20.0 | 21.9 | 7.9 | 26.5 | 29.0 | 32.0 |
| EC● | 5M | 38 | 22.90 | 41.0 | 2.5 | M33x1.00 | 18.9 | 20.0 | 21.9 | 7.9 | 31.5 | 34.0 | 37.0 |

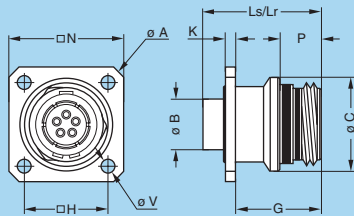
Part number example: ECN.1M.305.XLN

Panel cut-out (page 36). PCB drilling pattern (page 37).

Note: Ls = standard gender, Lr = reverse gender. This model is not IP68 (no panel sealing).



ED● Fixed socket with square flange, key (N) or keys (P, R, S, T, U, V, W and X)



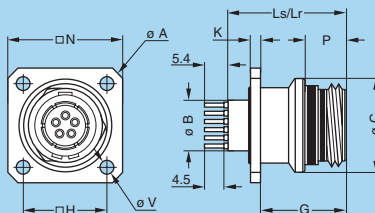
| Reference | | Dimensions (mm) | | | | | | | | | | |
|-----------|--------|-----------------|-------|------|------|------|-----|------|------|------|-----|-----|
| Model | Series | A | B | C | G | H | K | Ls | Lr | N | P | V |
| ED● | MM | 18.6 | 4.70 | 10.7 | 12.3 | 9.5 | 1.5 | 17.0 | 17.0 | 14.5 | 3.7 | 2.7 |
| ED● | 0M | 20.6 | 4.72 | 12.7 | 12.8 | 11.0 | 1.5 | 18.3 | 18.3 | 16.0 | 5.3 | 2.7 |
| ED● | 1M | 23.8 | 5.95 | 14.2 | 12.8 | 12.9 | 1.5 | 18.3 | 18.3 | 18.4 | 5.3 | 3.3 |
| ED● | 2M | 26.9 | 8.95 | 17.2 | 12.8 | 15.1 | 1.5 | 18.3 | 18.3 | 20.6 | 5.3 | 3.3 |
| ED● | 3M | 29.0 | 10.95 | 19.2 | 12.8 | 16.6 | 1.5 | 18.3 | 18.3 | 22.1 | 5.3 | 3.3 |
| ED● | TM | 31.4 | 12.30 | 22.0 | 14.5 | 18.3 | 2.0 | 20.0 | 21.9 | 23.8 | 7.9 | 3.3 |
| ED● | 4M | 34.6 | 13.95 | 24.5 | 14.5 | 20.6 | 2.0 | 20.0 | 21.9 | 26.1 | 7.9 | 3.3 |
| ED● | LM | 38.0 | 17.95 | 28.0 | 14.5 | 23.0 | 2.0 | 20.0 | 21.9 | 28.5 | 7.9 | 3.3 |
| ED● | 5M | 43.7 | 22.90 | 33.5 | 14.5 | 27.0 | 2.0 | 20.0 | 21.9 | 32.5 | 7.9 | 3.3 |

Part number example: EDN.1M.305.XLM

Panel cut-out (page 36).

Note: Ls = standard gender, Lr = reverse gender

ED● Fixed socket with square flange, key (N) or keys (P, R, S, T, U, V, W and X) for printed circuit



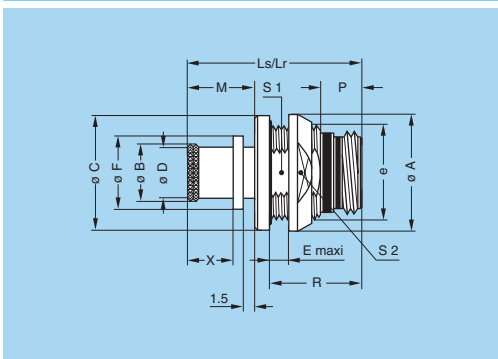
| Reference | | Dimensions (mm) | | | | | | | | | | |
|-----------|--------|-----------------|-------|------|------|------|-----|------|------|------|-----|-----|
| Model | Series | A | B | C | G | H | K | Ls | Lr | N | P | V |
| ED● | MM | 18.6 | 4.70 | 10.7 | 12.3 | 9.5 | 1.5 | 17.0 | 17.0 | 14.5 | 3.7 | 2.7 |
| ED● | 0M | 20.6 | 4.72 | 12.7 | 12.8 | 11.0 | 1.5 | 18.3 | 18.3 | 16.0 | 5.3 | 2.7 |
| ED● | 1M | 23.8 | 5.95 | 14.2 | 12.8 | 12.9 | 1.5 | 18.3 | 18.3 | 18.4 | 5.3 | 3.3 |
| ED● | 2M | 26.9 | 8.95 | 17.2 | 12.8 | 15.1 | 1.5 | 18.3 | 18.3 | 20.6 | 5.3 | 3.3 |
| ED● | 3M | 29.0 | 10.95 | 19.2 | 12.8 | 16.6 | 1.5 | 18.3 | 18.3 | 22.1 | 5.3 | 3.3 |
| ED● | TM | 31.4 | 12.30 | 22.0 | 14.5 | 18.3 | 2.0 | 20.0 | 21.9 | 23.8 | 7.9 | 3.3 |
| ED● | 4M | 34.6 | 13.95 | 24.5 | 14.5 | 20.6 | 2.0 | 20.0 | 21.9 | 26.1 | 7.9 | 3.3 |
| ED● | LM | 38.0 | 17.95 | 28.0 | 14.5 | 23.0 | 2.0 | 20.0 | 21.9 | 28.5 | 7.9 | 3.3 |
| ED● | 5M | 43.7 | 22.90 | 33.5 | 14.5 | 27.0 | 2.0 | 20.0 | 21.9 | 32.5 | 7.9 | 3.3 |

Part number example: EDN.1M.305.XLN

Panel cut-out (page 36). PCB drilling pattern (page 37).

Note: Ls = standard gender, Lr = reverse gender

PE● Fixed socket, nut fixing, key (N) or keys (P, R, S, T, U, V, W and X) with mold stop (back panel mounting)



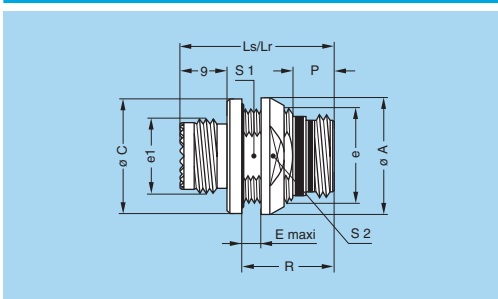
| Reference | | Dimensions (mm) | | | | | | | | | | | | |
|-----------|--------|-----------------|------|------|------|-----|----------|------|------|------|-----|------|------|----|
| Model | Series | A | B | C | D | E | e | Ls | Lr | M | P | R | S1 | S2 |
| PE● | MM | 14 | 6.4 | 13.8 | 5.6 | 4.0 | M10x0.50 | 21.4 | 21.4 | 8.8 | 3.7 | 10.5 | 9.0 | 11 |
| PE● | 0M | 17 | 8.8 | 16.8 | 8.0 | 5.0 | M13x0.75 | 25.6 | 25.6 | 9.7 | 5.3 | 13.8 | 11.5 | 14 |
| PE● | 1M | 18 | 10.5 | 17.8 | 9.7 | 5.0 | M14x1.00 | 25.6 | 25.6 | 9.7 | 5.3 | 13.8 | 12.5 | 16 |
| PE● | 2M | 21 | 14.0 | 20.8 | 13.0 | 5.0 | M17x1.00 | 26.0 | 26.0 | 10.1 | 5.3 | 13.8 | 15.5 | 18 |
| PE● | 3M | 23 | 16.0 | 22.8 | 15.0 | 5.0 | M19x1.00 | 26.0 | 26.0 | 10.1 | 5.3 | 13.8 | 17.5 | 20 |
| PE● | TM | 27 | 17.9 | 25.8 | 16.7 | 4.0 | M22x1.00 | 29.5 | 30.1 | 10.6 | 7.9 | 16.9 | 20.5 | 23 |
| PE● | 4M | 29 | 20.7 | 27.8 | 19.5 | 4.0 | M24x1.00 | 29.5 | 30.1 | 10.6 | 7.9 | 16.9 | 22.5 | 25 |
| PE● | LM | 33 | 23.9 | 31.8 | 22.7 | 4.0 | M28x1.00 | 29.5 | 30.1 | 10.6 | 7.9 | 16.9 | 26.5 | 29 |
| PE● | 5M | 38 | 29.7 | 36.8 | 28.5 | 4.0 | M33x1.00 | 29.5 | 30.1 | 10.6 | 7.9 | 16.9 | 31.5 | 34 |

Part number example: PEN.1M.305.XLMT

Panel cut-out (page 36).

Note: this model is only available with mold stop. The dimensions «F» and «X» are the same as the PB● models. Ls = standard gender, Lr = reverse gender.

PE● Fixed socket, nut fixing, key (N) or keys (P, R, S, T, U, V, W and X) with MIL-DTL-38999L shell thread



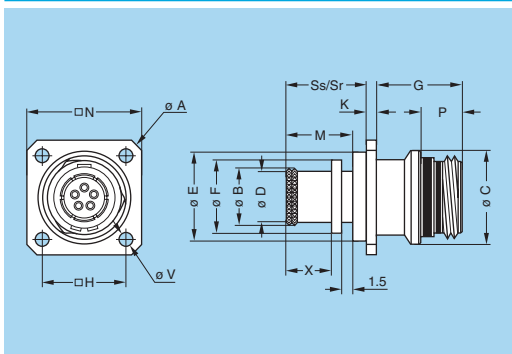
| Reference | | Dimensions (mm) | | | | | | | | | | |
|-----------|--------|-----------------|------|-----|---------|---------|------|------|------|------|----|--------------------|
| Model | Series | A | C | E | e | e1 | Ls | Lr | R | S1 | S2 | Code ¹⁾ |
| PE● | 1M | 18 | 17.8 | 5.0 | M14x1.0 | M12x1.0 | 26.4 | 26.4 | 13.8 | 12.5 | 16 | A |
| PE● | 2M | 21 | 20.8 | 5.0 | M17x1.0 | M15x1.0 | 26.4 | 26.4 | 13.8 | 15.5 | 18 | B |
| PE● | 3M | 23 | 22.8 | 5.0 | M19x1.0 | M18x1.0 | 26.4 | 26.4 | 13.8 | 17.5 | 20 | C |
| PE● | TM | 27 | 25.8 | 4.0 | M22x1.0 | M18x1.0 | 28.2 | 30.1 | 16.9 | 20.5 | 23 | C |
| PE● | 4M | 29 | 27.8 | 4.0 | M24x1.0 | M22x1.0 | 28.2 | 30.1 | 16.9 | 22.5 | 25 | D |
| PE● | LM | 33 | 31.8 | 4.0 | M28x1.0 | M25x1.0 | 28.2 | 30.1 | 16.9 | 26.5 | 29 | E |
| PE● | 5M | 38 | 36.8 | 4.0 | M33x1.0 | M31x1.0 | 28.2 | 30.1 | 16.9 | 31.5 | 34 | G |

Part number example: PEN.1M.305.XLMM

Panel cut-out (page 36).

Note: Ls = standard gender, Lr = reverse gender. The dimension «P» is the same as the PB● models. ¹⁾ MIL-DTL-38999L shell size code (backshell not supplied).

PF● Fixed socket with square flange, key (N) or keys (P, R, S, T, U, V, W and X) with mold stop



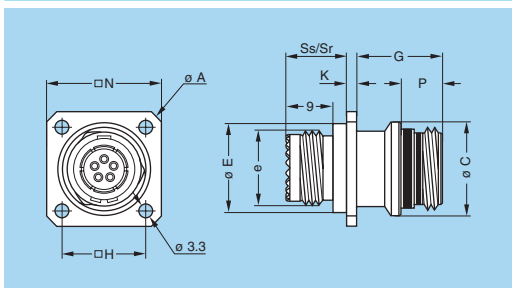
| Reference | | Dimensions (mm) | | | | | | | | | | | | | |
|-----------|--------|-----------------|------|------|------|------|------|------|------|-----|------|------|------|-----|--|
| Model | Series | A | B | C | D | E | F | G | H | K | N | Ss | Sr | V | |
| PF● | MM | 18.6 | 6.4 | 10.7 | 5.6 | 7.8 | 7.8 | 12.3 | 9.5 | 1.5 | 14.5 | 10.6 | 10.6 | 2.7 | |
| PF● | 0M | 20.6 | 8.8 | 12.7 | 8.0 | 10.7 | 10.7 | 12.8 | 11.0 | 1.5 | 16.0 | 11.3 | 11.3 | 2.7 | |
| PF● | 1M | 23.8 | 10.5 | 14.2 | 9.7 | 12.4 | 12.4 | 12.8 | 12.9 | 1.5 | 18.4 | 11.3 | 11.3 | 3.3 | |
| PF● | 2M | 26.9 | 14.0 | 17.2 | 13.0 | 15.5 | 15.5 | 12.8 | 15.1 | 1.5 | 20.6 | 11.7 | 11.7 | 3.3 | |
| PF● | 3M | 29.0 | 16.0 | 19.2 | 15.0 | 17.5 | 17.5 | 12.8 | 16.6 | 1.5 | 22.1 | 11.7 | 11.7 | 3.3 | |
| PF● | TM | 31.4 | 17.9 | 22.0 | 16.7 | 19.8 | 19.8 | 14.5 | 18.3 | 2.0 | 23.8 | 13.0 | 13.6 | 3.3 | |
| PF● | 4M | 34.6 | 20.7 | 24.5 | 19.5 | 22.6 | 22.6 | 14.5 | 20.6 | 2.0 | 26.1 | 13.0 | 13.6 | 3.3 | |
| PF● | LM | 38.0 | 23.9 | 28.0 | 22.7 | 25.8 | 25.8 | 14.5 | 23.0 | 2.0 | 28.5 | 13.0 | 13.6 | 3.3 | |
| PF● | 5M | 47.0 | 29.7 | 33.5 | 28.5 | 33.0 | 31.4 | 14.5 | 29.4 | 2.0 | 37.0 | 13.0 | 13.6 | 3.3 | |

Part number example: PFN.1M.305.XLMT

Panel cut-out (page 36).

Note: this model is only available with mold stop. The dimensions «M», «P» and «X» are the same as the PB● models. Ss = standard gender, Sr = reverse gender.

PF● Fixed socket with square flange, key (N) or keys (P, R, S, T, U, V, W and X) with MIL-DTL-38999L shell thread



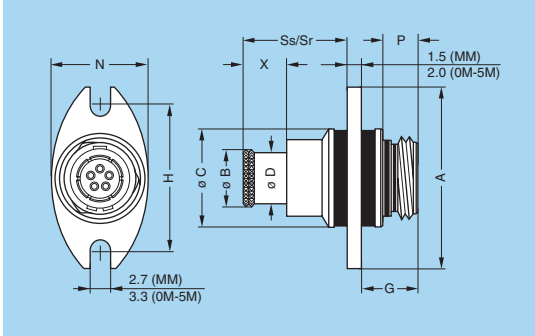
| Reference | | Dimensions (mm) | | | | | | | | | | |
|-----------|--------|-----------------|------|---------|------|------|------|-----|------|------|------|--------------------|
| Model | Series | A | C | e | E | G | H | K | N | Ss | Sr | Code ¹⁾ |
| PF● | 1M | 23.8 | 14.2 | M12x1.0 | 12.4 | 12.8 | 12.9 | 1.5 | 18.4 | 12.2 | 12.2 | A |
| PF● | 2M | 26.9 | 17.2 | M15x1.0 | 15.5 | 12.8 | 15.1 | 1.5 | 20.6 | 12.2 | 12.2 | B |
| PF● | 3M | 29.0 | 19.2 | M18x1.0 | 17.5 | 12.8 | 16.6 | 1.5 | 22.1 | 12.2 | 12.2 | C |
| PF● | TM | 31.4 | 22.0 | M18x1.0 | 19.8 | 14.5 | 18.3 | 2.0 | 23.8 | 11.7 | 13.6 | C |
| PF● | 4M | 34.6 | 24.5 | M22x1.0 | 22.6 | 14.5 | 20.6 | 2.0 | 26.1 | 11.7 | 13.6 | D |
| PF● | LM | 38.0 | 28.0 | M25x1.0 | 25.8 | 14.5 | 23.0 | 2.0 | 28.5 | 11.7 | 13.6 | E |
| PF● | 5M | 47.0 | 33.5 | M31x1.0 | 33.0 | 14.5 | 29.4 | 2.0 | 37.0 | 11.7 | 13.6 | G |

Part number example: PFN.1M.305.XLMM

Panel cut-out (page 36).

Note: The dimension «P» is the same as the PB● models. Ss = standard gender, Sr = reverse gender. ¹⁾ MIL-DTL-38999L shell size code (backshell not supplied).

PB● Fixed socket with antivibration flange, key (N) or keys (P, R, S, T, U, V, W and X), 2 holes fixing



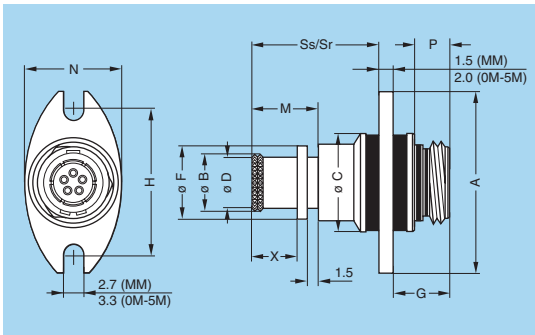
| Reference | | Dimensions (mm) | | | | | | | | | | |
|-----------|--------|-----------------|------|------|------|------|------|------|-----|------|------|-----|
| Model | Series | A | B | C | D | G | H | N | P | Ss | Sr | X |
| PB● | MM | 21.0 | 6.4 | 11.3 | 5.6 | 6.7 | 16.2 | 12.5 | 3.7 | 13.2 | 13.2 | 5.8 |
| PB● | 0M | 27.0 | 8.8 | 14.5 | 8.0 | 8.3 | 21.4 | 16.0 | 5.3 | 15.3 | 15.3 | 6.7 |
| PB● | 1M | 29.0 | 10.5 | 16.5 | 9.7 | 8.3 | 23.4 | 18.0 | 5.3 | 15.3 | 15.3 | 6.7 |
| PB● | 2M | 32.0 | 14.0 | 19.5 | 13.0 | 8.3 | 26.4 | 21.0 | 5.3 | 15.7 | 15.7 | 7.1 |
| PB● | 3M | 35.0 | 16.0 | 21.5 | 15.0 | 8.3 | 29.0 | 23.0 | 5.3 | 15.7 | 15.7 | 7.1 |
| PB● | TM | 38.5 | 17.9 | 24.5 | 16.7 | 11.0 | 32.5 | 26.0 | 7.9 | 15.2 | 17.1 | 7.6 |
| PB● | 4M | 41.0 | 20.7 | 27.5 | 19.5 | 11.0 | 35.0 | 29.0 | 7.9 | 15.2 | 17.1 | 7.6 |
| PB● | LM | 44.0 | 23.9 | 30.5 | 22.7 | 11.0 | 38.0 | 32.0 | 7.9 | 15.2 | 17.1 | 7.6 |
| PB● | 5M | 51.0 | 29.7 | 37.5 | 28.5 | 11.0 | 45.0 | 39.0 | 7.9 | 15.2 | 17.1 | 7.6 |

Part number example: PBN.1M.305.XLM

Panel cut-out (page 36).

Note: Ss = standard gender, Sr = reverse gender

PB● Fixed socket with antivibration flange, key (N) or keys (P, R, S, T, U, V, W and X), 2 holes fixing with mold stop

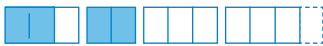


| Reference | | Dimensions (mm) | | | | | | | | | | | | |
|-----------|--------|-----------------|------|------|------|------|------|------|------|------|-----|------|------|-----|
| Model | Series | A | B | C | D | F | G | H | M | N | P | Ss | Sr | X |
| PB● | MM | 21.0 | 6.4 | 11.3 | 5.6 | 7.8 | 6.7 | 16.2 | 8.8 | 12.5 | 3.7 | 16.2 | 16.2 | 5.8 |
| PB● | 0M | 27.0 | 8.8 | 14.5 | 8.0 | 10.7 | 8.3 | 21.4 | 9.7 | 16.0 | 5.3 | 18.3 | 18.3 | 6.7 |
| PB● | 1M | 29.0 | 10.5 | 16.5 | 9.7 | 12.4 | 8.3 | 23.4 | 9.7 | 18.0 | 5.3 | 18.3 | 18.3 | 6.7 |
| PB● | 2M | 32.0 | 14.0 | 19.5 | 13.0 | 15.5 | 8.3 | 26.4 | 10.1 | 21.0 | 5.3 | 18.7 | 18.7 | 7.1 |
| PB● | 3M | 35.0 | 16.0 | 21.5 | 15.0 | 17.5 | 8.3 | 29.0 | 10.1 | 23.0 | 5.3 | 18.7 | 18.7 | 7.1 |
| PB● | TM | 38.5 | 17.9 | 24.5 | 16.7 | 19.8 | 11.0 | 32.5 | 10.6 | 26.0 | 7.9 | 18.2 | 18.2 | 7.6 |
| PB● | 4M | 41.0 | 20.7 | 27.5 | 19.5 | 22.6 | 11.0 | 35.0 | 10.6 | 29.0 | 7.9 | 18.2 | 18.2 | 7.6 |
| PB● | LM | 44.0 | 23.9 | 30.5 | 22.7 | 25.8 | 11.0 | 38.0 | 10.6 | 32.0 | 7.9 | 18.2 | 18.2 | 7.6 |
| PB● | 5M | 51.0 | 29.7 | 37.5 | 28.5 | 31.4 | 11.0 | 45.0 | 10.6 | 39.0 | 7.9 | 18.2 | 18.2 | 7.6 |

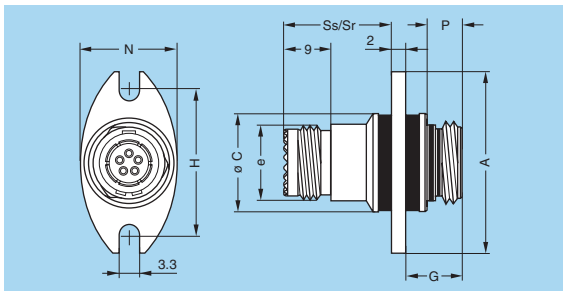
Part number example: PBN.1M.305.XLMT

Panel cut-out (page 36).

Note: Ss = standard gender, Sr = reverse gender



PB● Fixed socket with antivibration flange, key (N) or keys (P, R, S, T, U, V, W and X), 2 holes fixing with MIL-DTL-38999L shell thread



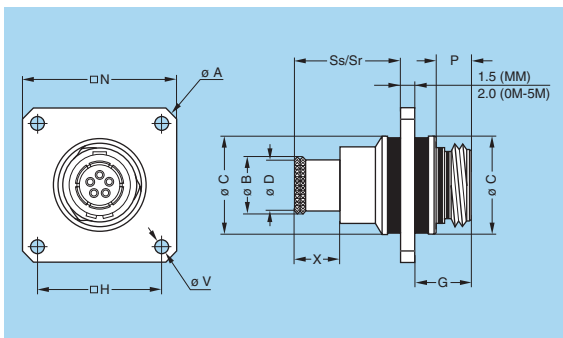
| Reference | | Dimensions (mm) | | | | | | | | | |
|-----------|--------|-----------------|------|---------|------|------|------|-----|------|------|--------------------|
| Model | Series | A | C | e | G | H | N | P | Ss | Sr | Code ¹⁾ |
| PB● | 1M | 29.0 | 16.5 | M12x1.0 | 8.3 | 23.4 | 18.0 | 5.3 | 17.2 | 17.2 | A |
| PB● | 2M | 32.0 | 19.5 | M15x1.0 | 8.3 | 26.4 | 21.0 | 5.3 | 17.2 | 17.2 | B |
| PB● | 3M | 35.0 | 21.5 | M18x1.0 | 8.3 | 29.0 | 23.0 | 5.3 | 17.2 | 17.2 | C |
| PB● | TM | 38.5 | 24.5 | M18x1.0 | 11.0 | 32.5 | 26.0 | 7.9 | 16.2 | 17.1 | C |
| PB● | 4M | 41.0 | 27.5 | M22x1.0 | 11.0 | 35.0 | 29.0 | 7.9 | 16.2 | 17.1 | D |
| PB● | LM | 44.0 | 30.5 | M25x1.0 | 11.0 | 38.0 | 32.0 | 7.9 | 16.2 | 17.1 | E |
| PB● | 5M | 51.0 | 37.5 | M31x1.0 | 11.0 | 45.0 | 39.0 | 7.9 | 16.2 | 17.1 | G |

Part number example: PBN.1M.305.XLMM

Panel cut-out (page 36).

Note: Ss = standard gender, Sr = reverse gender. ¹⁾ MIL-DTL-38999L shell size code (backshell not supplied).

PV● Fixed socket with antivibration square flange, key (N) or keys (P, R, S, T, U, V, W and X)



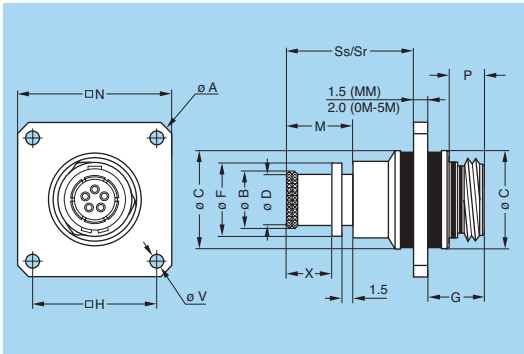
| Reference | | Dimensions (mm) | | | | | | | | | | | |
|-----------|--------|-----------------|------|------|------|------|------|------|-----|------|------|-----|-----|
| Model | Series | A | B | C | D | G | H | N | P | Ss | Sr | V | X |
| PV● | MM | 21.5 | 6.4 | 11.3 | 5.6 | 6.7 | 12.0 | 17.0 | 3.7 | 13.2 | 13.2 | 2.7 | 5.8 |
| PV● | 0M | 26.9 | 8.8 | 14.5 | 8.0 | 8.3 | 15.1 | 20.6 | 5.3 | 15.3 | 15.3 | 2.7 | 6.7 |
| PV● | 1M | 31.4 | 10.5 | 16.5 | 9.7 | 8.3 | 18.3 | 23.8 | 5.3 | 15.3 | 15.3 | 3.3 | 6.7 |
| PV● | 2M | 34.6 | 14.0 | 19.5 | 13.0 | 8.3 | 20.6 | 26.1 | 5.3 | 15.7 | 15.7 | 3.3 | 7.1 |
| PV● | 3M | 38.0 | 16.0 | 21.5 | 15.0 | 8.3 | 23.0 | 28.5 | 5.3 | 15.7 | 15.7 | 3.3 | 7.1 |
| PV● | TM | 40.3 | 17.9 | 24.5 | 16.7 | 11.0 | 24.6 | 30.1 | 7.9 | 15.2 | 17.1 | 3.3 | 7.6 |
| PV● | 4M | 43.7 | 20.7 | 27.5 | 19.5 | 11.0 | 27.0 | 32.5 | 7.9 | 15.2 | 17.1 | 3.3 | 7.6 |
| PV● | LM | 47.1 | 23.9 | 30.5 | 22.7 | 11.0 | 29.4 | 34.9 | 7.9 | 15.2 | 17.1 | 3.3 | 7.6 |
| PV● | 5M | 54.9 | 29.7 | 37.5 | 28.5 | 11.0 | 34.9 | 40.4 | 7.9 | 15.2 | 17.1 | 3.3 | 7.6 |

Part number example: PVN.1M.305.XLMM

Panel cut-out (page 36).

Note: Ss = standard gender, Sr = reverse gender

PV● Fixed socket with antivibration square flange, key (N) or keys (P, R, S, T, U, V, W and X) with mold stop



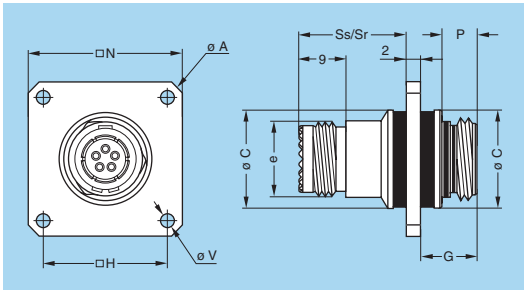
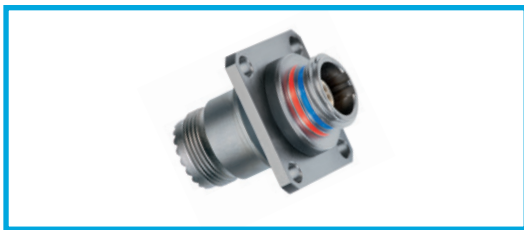
| Reference | | Dimensions (mm) | | | | | | | | | | | | |
|-----------|--------|-----------------|------|------|------|------|------|------|------|------|-----|------|------|-----|
| Model | Series | A | B | C | D | F | G | H | M | N | P | Ss | Sr | X |
| PV● | MM | 21.5 | 6.4 | 11.3 | 5.6 | 7.8 | 6.7 | 12.0 | 8.8 | 17.0 | 3.7 | 16.2 | 16.2 | 5.8 |
| PV● | 0M | 26.9 | 8.8 | 14.5 | 8.0 | 10.7 | 8.3 | 15.1 | 9.7 | 20.6 | 5.3 | 18.3 | 18.3 | 6.7 |
| PV● | 1M | 31.4 | 10.5 | 16.5 | 9.7 | 12.4 | 8.3 | 18.3 | 9.7 | 23.8 | 5.3 | 18.3 | 18.3 | 6.7 |
| PV● | 2M | 34.6 | 14.0 | 19.5 | 13.0 | 15.5 | 8.3 | 20.6 | 10.1 | 26.1 | 5.3 | 18.7 | 18.7 | 7.1 |
| PV● | 3M | 38.0 | 16.0 | 21.5 | 15.0 | 17.5 | 8.3 | 23.0 | 10.1 | 28.5 | 5.3 | 18.7 | 18.7 | 7.1 |
| PV● | TM | 40.3 | 17.9 | 24.5 | 16.7 | 19.8 | 11.0 | 24.6 | 10.6 | 30.1 | 7.9 | 18.2 | 18.2 | 7.6 |
| PV● | 4M | 43.7 | 20.7 | 27.5 | 19.5 | 22.6 | 11.0 | 27.0 | 10.6 | 32.5 | 7.9 | 18.2 | 18.2 | 7.6 |
| PV● | LM | 47.1 | 23.9 | 30.5 | 22.7 | 25.8 | 11.0 | 29.4 | 10.6 | 34.9 | 7.9 | 18.2 | 18.2 | 7.6 |
| PV● | 5M | 54.9 | 29.7 | 37.5 | 28.5 | 31.4 | 11.0 | 34.9 | 10.6 | 40.4 | 7.9 | 18.2 | 18.2 | 7.6 |

Part number example: PVN.1M.305.XLMT

Panel cut-out (page 36).

Note: Ss = standard gender, Sr = reverse gender.
The dimension «V» is the same as the PV● models without mold stop.

PV● Fixed socket with antivibration square flange, key (N) or keys (P, R, S, T, U, V, W and X) with MIL-DTL-38999L shell thread



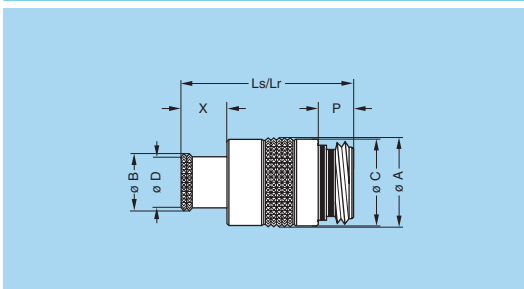
| Reference | | Dimensions (mm) | | | | | | | | | | |
|-----------|--------|-----------------|------|---------|------|------|------|-----|------|------|-----|--------------------|
| Model | Series | A | C | e | G | H | N | P | Ss | Sr | V | Code ¹⁾ |
| PV● | 1M | 31.4 | 16.5 | M12x1.0 | 8.3 | 18.3 | 23.8 | 5.3 | 17.2 | 17.2 | 3.3 | A |
| PV● | 2M | 34.6 | 19.5 | M15x1.0 | 8.3 | 20.6 | 26.1 | 5.3 | 17.2 | 17.2 | 3.3 | B |
| PV● | 3M | 38.0 | 21.5 | M18x1.0 | 8.3 | 23.0 | 28.5 | 5.3 | 17.2 | 17.2 | 3.3 | C |
| PV● | TM | 40.3 | 24.5 | M18x1.0 | 11.0 | 24.6 | 30.1 | 7.9 | 16.2 | 17.1 | 3.3 | C |
| PV● | 4M | 43.7 | 27.5 | M22x1.0 | 11.0 | 27.0 | 32.5 | 7.9 | 16.2 | 17.1 | 3.3 | D |
| PV● | LM | 47.1 | 30.5 | M25x1.0 | 11.0 | 29.4 | 34.9 | 7.9 | 16.2 | 17.1 | 3.3 | E |
| PV● | 5M | 54.9 | 37.5 | M31x1.0 | 11.0 | 34.9 | 40.4 | 7.9 | 16.2 | 17.1 | 3.3 | G |

Part number example: PVN.1M.305.XLMM

Panel cut-out (page 36).

Note: Ss = standard gender, Sr = reverse gender. ¹⁾ MIL-DTL-38999L shell size code (backshell not supplied).

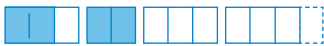
PM● Free socket, key (N) or keys (P, R, S, T, U, V, W and X) with knurled grip



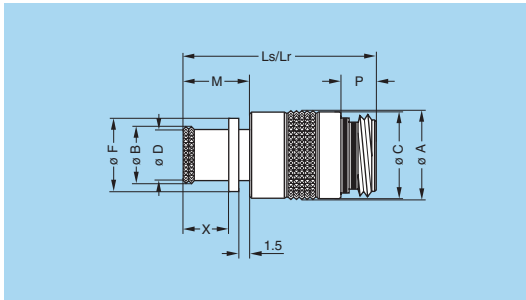
| Reference | | Dimensions (mm) | | | | | | | |
|-----------|--------|-----------------|------|------|------|------|------|-----|-----|
| Model | Series | A | B | C | D | Ls | Lr | P | X |
| PM● | MM | 11.1 | 6.4 | 10.7 | 5.6 | 21.4 | 21.4 | 3.7 | 5.8 |
| PM● | 0M | 13.1 | 8.8 | 12.7 | 8.0 | 25.6 | 25.6 | 5.3 | 6.7 |
| PM● | 1M | 14.6 | 10.5 | 14.2 | 9.7 | 25.6 | 25.6 | 5.3 | 6.7 |
| PM● | 2M | 17.6 | 14.0 | 17.2 | 13.0 | 26.0 | 26.0 | 5.3 | 7.1 |
| PM● | 3M | 19.6 | 16.0 | 19.2 | 15.0 | 26.0 | 26.0 | 5.3 | 7.1 |
| PM● | TM | 22.5 | 17.9 | 22.0 | 16.7 | 28.2 | 30.1 | 7.9 | 7.6 |
| PM● | 4M | 25.0 | 20.7 | 24.5 | 19.5 | 28.2 | 30.1 | 7.9 | 7.6 |
| PM● | LM | 28.5 | 23.9 | 28.0 | 22.7 | 28.2 | 30.1 | 7.9 | 7.6 |
| PM● | 5M | 34.0 | 29.7 | 33.5 | 28.5 | 28.2 | 30.1 | 7.9 | 7.6 |

Note:
Ls = standard gender,
Lr = reverse gender

Part number example: PMN.1M.305.XLM



PM● Free socket, key (N) or keys (P, R, S, T, U, V, W and X) with knurled grip and mold stop

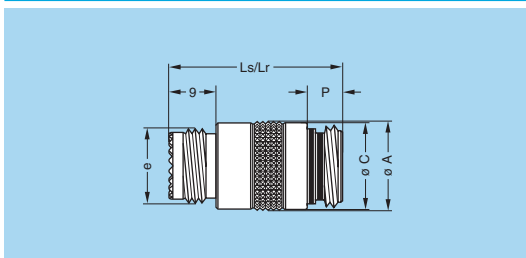


| Reference | | Dimensions (mm) | | | | | | | | | |
|-----------|--------|-----------------|------|------|------|------|------|------|------|-----|-----|
| Model | Series | A | B | C | D | F | Ls | Lr | M | P | X |
| PM● | MM | 11.1 | 6.4 | 10.7 | 5.6 | 7.8 | 24.4 | 24.4 | 8.8 | 3.7 | 5.8 |
| PM● | 0M | 13.1 | 8.8 | 12.7 | 8.0 | 10.7 | 28.6 | 28.6 | 9.7 | 5.3 | 6.7 |
| PM● | 1M | 14.6 | 10.5 | 14.2 | 9.7 | 12.4 | 28.6 | 28.6 | 9.7 | 5.3 | 6.7 |
| PM● | 2M | 17.6 | 14.0 | 17.2 | 13.0 | 15.5 | 29.0 | 29.0 | 10.1 | 5.3 | 7.1 |
| PM● | 3M | 19.6 | 16.0 | 19.2 | 15.0 | 17.5 | 29.0 | 29.0 | 10.1 | 5.3 | 7.1 |
| PM● | TM | 22.5 | 17.9 | 22.0 | 16.7 | 19.8 | 31.2 | 31.2 | 10.6 | 7.9 | 7.6 |
| PM● | 4M | 25.0 | 20.7 | 24.5 | 19.5 | 22.6 | 31.2 | 31.2 | 10.6 | 7.9 | 7.6 |
| PM● | LM | 28.5 | 23.9 | 28.0 | 22.7 | 25.8 | 31.2 | 31.2 | 10.6 | 7.9 | 7.6 |
| PM● | 5M | 34.0 | 29.7 | 33.5 | 28.5 | 31.4 | 31.2 | 31.2 | 10.6 | 7.9 | 7.6 |

Part number example: PMN.1M.305.XLMT

Note: Ls = standard gender, Lr = reverse gender

PM● Free socket, key (N) or keys (P, R, S, T, U, V, W and X) with knurled grip and MIL-DTL-38999L shell thread

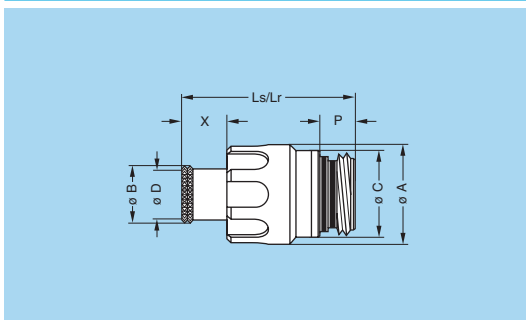


| Reference | | Dimensions (mm) | | | | | | |
|-----------|--------|-----------------|------|---------|------|------|-----|--------------------|
| Model | Series | A | C | e | Ls | Lr | P | Code ¹⁾ |
| PM● | 1M | 14.6 | 14.2 | M12x1.0 | 27.9 | 27.9 | 5.3 | A |
| PM● | 2M | 17.6 | 17.2 | M15x1.0 | 27.9 | 27.9 | 5.3 | B |
| PM● | 3M | 19.6 | 19.2 | M18x1.0 | 27.9 | 27.9 | 5.3 | C |
| PM● | TM | 22.5 | 22.0 | M18x1.0 | 29.6 | 30.1 | 7.9 | C |
| PM● | 4M | 25.0 | 24.5 | M22x1.0 | 29.6 | 30.1 | 7.9 | D |
| PM● | LM | 28.5 | 28.0 | M25x1.0 | 29.6 | 30.1 | 7.9 | E |
| PM● | 5M | 34.0 | 33.5 | M31x1.0 | 29.6 | 30.1 | 7.9 | G |

Part number example: PMN.1M.305.XLMM

Note: Ls = standard gender, Lr = reverse gender. ¹⁾ MIL-DTL-38999L shell size code (backshell not supplied).

PH● Free socket, key (N) or keys (P, R, S, T, U, V, W and X) with arctic grip

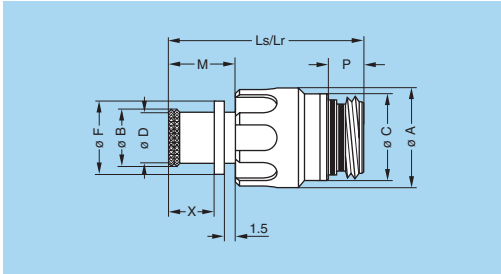


| Reference | | Dimensions (mm) | | | | | | | | |
|-----------|--------|-----------------|------|------|------|------|------|-----|-----|--|
| Model | Series | A | B | C | D | Ls | Lr | P | X | |
| PH● | MM | 12.0 | 6.4 | 10.7 | 5.6 | 21.4 | 21.4 | 3.7 | 5.8 | |
| PH● | 0M | 14.4 | 8.8 | 12.7 | 8.0 | 25.6 | 25.6 | 5.3 | 6.7 | |
| PH● | 1M | 15.9 | 10.5 | 14.2 | 9.7 | 25.6 | 25.6 | 5.3 | 6.7 | |
| PH● | 2M | 18.9 | 14.0 | 17.2 | 13.0 | 26.0 | 26.0 | 5.3 | 7.1 | |
| PH● | 3M | 20.9 | 16.0 | 19.2 | 15.0 | 26.0 | 26.0 | 5.3 | 7.1 | |
| PH● | TM | 23.4 | 17.9 | 22.0 | 16.7 | 28.2 | 30.1 | 7.9 | 7.6 | |
| PH● | 4M | 25.9 | 20.7 | 24.5 | 19.5 | 28.2 | 30.1 | 7.9 | 7.6 | |
| PH● | LM | 29.4 | 23.9 | 28.0 | 22.7 | 28.2 | 30.1 | 7.9 | 7.6 | |
| PH● | 5M | 34.9 | 29.7 | 33.5 | 28.5 | 28.2 | 30.1 | 7.9 | 7.6 | |

Part number example: PHN.1M.305.XL

Note: Ls = standard gender, Lr = reverse gender

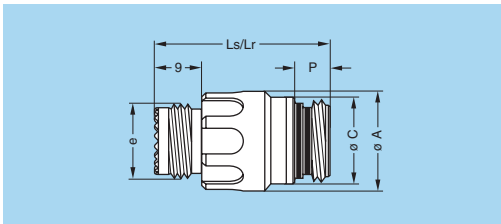
PH● Free socket, key (N) or keys (P, R, S, T, U, V, W and X) with arctic grip and mold stop



| Reference | | Dimensions (mm) | | | | | | | | | |
|-----------|--------|-----------------|------|------|------|------|------|------|------|-----|-----|
| Model | Series | A | B | C | D | F | Ls | Lr | M | P | X |
| PH● | MM | 12.0 | 6.4 | 10.7 | 5.6 | 7.8 | 24.4 | 24.4 | 8.8 | 3.7 | 5.8 |
| PH● | 0M | 14.4 | 8.8 | 12.7 | 8.0 | 10.7 | 28.6 | 28.6 | 9.7 | 5.3 | 6.7 |
| PH● | 1M | 15.9 | 10.5 | 14.2 | 9.7 | 12.4 | 28.6 | 28.6 | 9.7 | 5.3 | 6.7 |
| PH● | 2M | 18.9 | 14.0 | 17.2 | 13.0 | 15.5 | 29.0 | 29.0 | 10.1 | 5.3 | 7.1 |
| PH● | 3M | 20.9 | 16.0 | 19.2 | 15.0 | 17.5 | 29.0 | 29.0 | 10.1 | 5.3 | 7.1 |
| PH● | TM | 23.4 | 17.9 | 22.0 | 16.7 | 19.8 | 31.2 | 31.2 | 10.6 | 7.9 | 7.6 |
| PH● | 4M | 25.9 | 20.7 | 24.5 | 19.5 | 22.6 | 31.2 | 31.2 | 10.6 | 7.9 | 7.6 |
| PH● | LM | 29.4 | 23.9 | 28.0 | 22.7 | 25.8 | 31.2 | 31.2 | 10.6 | 7.9 | 7.6 |
| PH● | 5M | 34.9 | 29.7 | 33.5 | 28.5 | 31.4 | 31.2 | 31.2 | 10.6 | 7.9 | 7.6 |

Part number ex: PHN.1M.305.XLMT Note: Ls = standard gender, Lr = reverse gender

PH● Free socket, key (N) or keys (P, R, S, T, U, V, W and X) with arctic grip and MIL-DTL-38999L shell thread



| Reference | | Dimensions (mm) | | | | | | |
|-----------|--------|-----------------|------|---------|------|------|-----|--------------------|
| Model | Series | A | C | e | Ls | Lr | P | Code ¹⁾ |
| PH● | 1M | 15.9 | 14.2 | M12x1.0 | 27.9 | 27.9 | 5.3 | A |
| PH● | 2M | 18.9 | 17.2 | M15x1.0 | 27.9 | 27.9 | 5.3 | B |
| PH● | 3M | 20.9 | 19.2 | M18x1.0 | 27.9 | 27.9 | 5.3 | C |
| PH● | TM | 23.4 | 22.0 | M18x1.0 | 29.6 | 30.1 | 7.9 | C |
| PH● | 4M | 25.9 | 24.5 | M22x1.0 | 29.6 | 30.1 | 7.9 | D |
| PH● | LM | 29.4 | 28.0 | M25x1.0 | 29.6 | 30.1 | 7.9 | E |
| PH● | 5M | 34.9 | 33.5 | M31x1.0 | 29.6 | 30.1 | 7.9 | G |

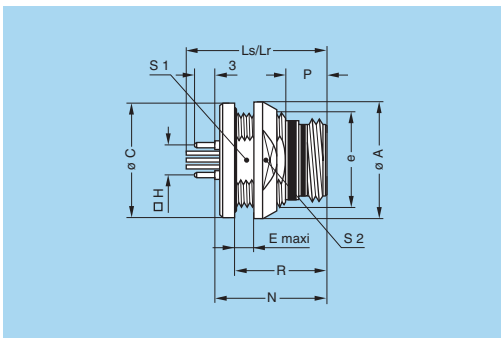
Note:
Ls = standard gender,
Lr = reverse gender

Part number example: PHN.1M.305.XLMM

Note: ¹⁾ MIL-DTL-38999L shell size code (backshell not supplied).

Watertight model (unmated)

HE● Fixed socket, nut fixing, key (N) or keys (P, R, S, T, U, V, W and X), print. circuit, watertight (back panel mount.)



| Reference | | Dimensions (mm) | | | | | | | | | | | |
|-----------|--------|-----------------|------|----------|-----|-------|------|------|------|-----|------|------|----|
| Model | Series | A | C | e | E | H | Ls | Lr | N | P | R | S1 | S2 |
| HE● | MM | 14 | 13.8 | M10x0.50 | 4.0 | 5.08 | 20.4 | 20.4 | 15.3 | 3.7 | 10.5 | 9.0 | 11 |
| HE● | 0M | 17 | 16.8 | M13x0.75 | 5.0 | 5.08 | 20.8 | 21.0 | 16.8 | 5.3 | 13.8 | 11.5 | 14 |
| HE● | 1M | 18 | 17.8 | M14x1.00 | 5.0 | 7.62 | 20.8 | 21.0 | 16.8 | 5.3 | 13.8 | 12.5 | 16 |
| HE● | 2M | 21 | 20.8 | M17x1.00 | 5.0 | 8.89 | 20.8 | 21.0 | 16.8 | 5.3 | 13.8 | 15.5 | 18 |
| HE● | 3M | 23 | 22.8 | M19x1.00 | 5.0 | 10.16 | 20.8 | 21.0 | 16.8 | 5.3 | 13.8 | 17.5 | 20 |
| HE● | TM | 27 | 25.8 | M22x1.00 | 4.0 | 12.70 | 24.6 | 24.6 | 19.9 | 7.9 | 16.9 | 20.5 | 23 |
| HE● | 4M | 29 | 27.8 | M24x1.00 | 4.0 | 13.97 | 24.6 | 24.6 | 19.9 | 7.9 | 16.9 | 22.5 | 25 |
| HE● | LM | 33 | 31.8 | M28x1.00 | 4.0 | 16.51 | 24.6 | 24.6 | 19.9 | 7.9 | 16.9 | 26.5 | 29 |
| HE● | 5M | 38 | 36.8 | M33x1.00 | 4.0 | 20.32 | 24.6 | 24.6 | 19.9 | 7.9 | 16.9 | 31.5 | 34 |

Part number example: HEN.1M.305.XLNP

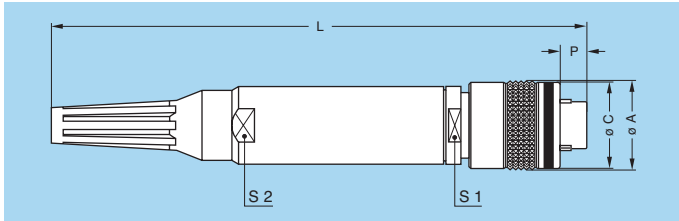
Panel cut-out (page 36). PCB drilling pattern (page 37).

Note: Ls = standard gender, Lr = reverse gender. Operating temperature: -20°C to +80°C.



Fibre optic models

FM● Straight plug, keys (N, S or W) with knurled grip

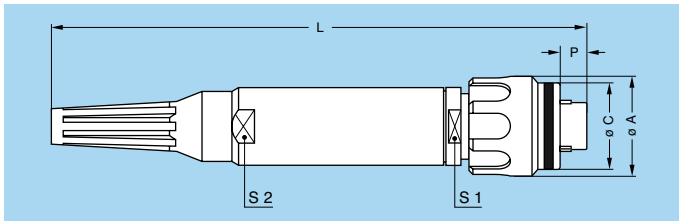


| Part number | Dimensions (mm) | | | | | |
|---------------------------|-----------------|------|-------|-----|----|----|
| | A | C | L | P | S1 | S2 |
| FM-.2M.03A.XLZT-●Z | 17.6 | 17.2 | 100.6 | 3.9 | 14 | 14 |
| FM-.3M.95B.XLCT-●Z | 19.6 | 19.2 | 103.3 | 3.9 | 16 | 16 |
| FM-.5M.03W.XLZT-●Z | 34.0 | 33.5 | 148.4 | 3.4 | 29 | 29 |

Contact part number (to be ordered separately):
PSS.F7.12*.LCE23 (2M series).
FFS.F7.12*.LCE23 (3M and 5M series).

Note: ● Cable adaptor defined upon request.
The bend relief must be ordered separately (see page 33).

FG● Straight plug, keys (N, S or W) with arctic grip

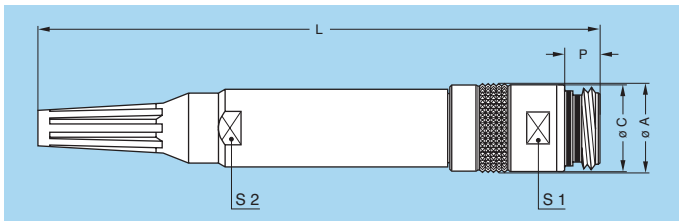


| Part number | Dimensions (mm) | | | | | |
|---------------------------|-----------------|------|-------|-----|----|----|
| | A | C | L | P | S1 | S2 |
| FG-.2M.03A.XLZT-●Z | 18.9 | 17.2 | 100.6 | 3.9 | 14 | 14 |
| FG-.3M.95B.XLCT-●Z | 20.9 | 19.2 | 103.3 | 3.9 | 16 | 16 |
| FG-.5M.03W.XLZT-●Z | 34.9 | 33.5 | 148.4 | 3.4 | 29 | 29 |

Contact part number (to be ordered separately):
PSS.F7.12*.LCE23 (2M series).
FFS.F7.12*.LCE23 (3M and 5M series).

Note: ● Cable adaptor defined upon request.
The bend relief must be ordered separately (see page 33).

PM● Free socket, keys (N, S or W) with knurled grip



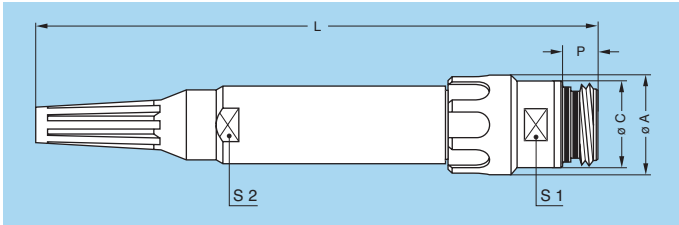
| Part number | Dimensions (mm) | | | | | |
|---------------------------|-----------------|------|-------|-----|----|----|
| | A | C | L | P | S1 | S2 |
| PM-.2M.03A.XLZT-●Z | 17.6 | 17.2 | 105.8 | 5.3 | 16 | 14 |
| PM-.3M.95B.XLMT-●Z | 19.6 | 19.2 | 113.3 | 5.3 | 18 | 16 |
| PM-.5M.03W.XLZT-●Z | 34.0 | 33.5 | 155.2 | 7.9 | 32 | 29 |

Contact part number (to be ordered separately):
FFS.F7.12*.LCL23 (2M series).
PSS.F7.12*.LCL23 (3M and 5M series).

Note: ● Cable adaptor defined upon request.
The bend relief must be ordered separately (see page 33).



PH● Free socket, keys (S or W) with arctic grip

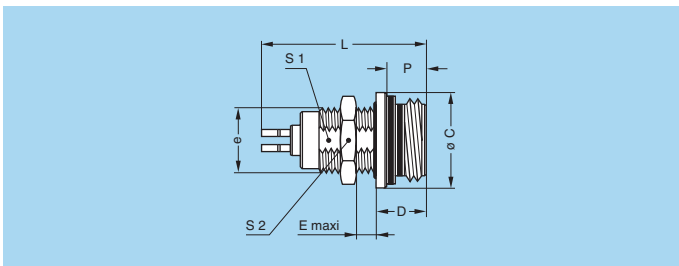


| Part number | Dimensions (mm) | | | | | |
|-------------------------|-----------------|------|-------|-----|----|----|
| | A | C | L | P | S1 | S2 |
| PH·2M.03A.XLZT·Z | 18.9 | 17.2 | 105.8 | 5.3 | 16 | 14 |
| PH·5M.03W.XLZT·Z | 34.9 | 33.5 | 155.2 | 7.9 | 32 | 29 |

Contact part number (to be ordered separately):
 FFS.F7.12·LCL23 (2M series).
 PSS.F7.12·LCL23 (5M series).

Note: ● Cable adaptor defined upon request.
 The bend relief must be ordered separately (see page 33).

EG● Fixed socket, nut fixing, key (N) or keys (P, R, S, T, U, V, W and X)

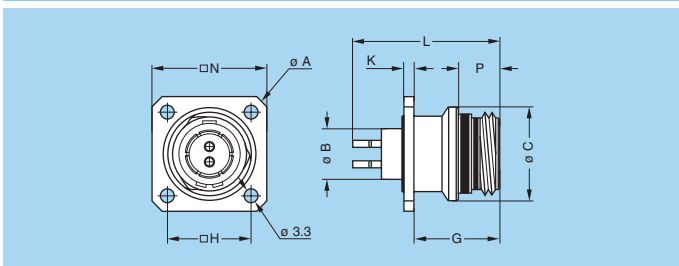


| Part number | Dimensions (mm) | | | | | | | |
|----------------------|-----------------|-----|---------|-----|------|-----|------|------|
| | C | D | e | E | L | P | S1 | S2 |
| EG·2M.03A.XLZ | 17.2 | 6.8 | M14x1.0 | 4.5 | 28.9 | 5.3 | 12.5 | 17.0 |
| EG·5M.03W.XLZ | 33.5 | 9.4 | M30x1.0 | 4.0 | 30.8 | 7.9 | 28.5 | 36.0 |

Panel cut-out (page 36).

Contact part number (to be ordered separately):
 FFS.F7.12·LCE23 (2M series).
 PSS.F7.12·LCE23 (5M series).

ED● Fixed socket with square flange, keys (N, S or W)



| Part number | Dimensions (mm) | | | | | | | | |
|-----------------------|-----------------|-------|------|------|------|-----|------|------|-----|
| | A | B | C | G | H | K | L | N | P |
| ED·2M.03A.XLZT | 26.9 | 8.95 | 17.2 | 12.8 | 15.1 | 1.5 | 28.9 | 20.6 | 5.3 |
| ED·3M.95B.XLM | 29.0 | 10.95 | 19.2 | 12.8 | 16.6 | 1.5 | 32.2 | 22.1 | 5.3 |
| ED·5M.03W.XLZT | 43.7 | 22.90 | 33.5 | 14.5 | 27.0 | 2.0 | 30.8 | 32.5 | 7.9 |

Panel cut-out (page 36).

Contact part number (to be ordered separately):
 FFS.F7.12·LCE23 (2M series).
 PSS.F7.12·LCE23 (3M and 5M series).

More information on F7 fibre optic contact in LEMO F7 catalog.

Fibre Type

The choice of the ferrule hole diameter is dependent upon the fibre cladding size. LEMO offers a range of ferrule hole diameters to suit the users' specific requirements.

● First choice alternative ○ Special order alternative

| Référence | ∅ Core/Cladding (µm) | Ferrule hole diameter (µm) | Note |
|-----------|-----------------------------|----------------------------|------|
| 125 | 9/125 50/125 62.5/125 | 125 | ● |
| 126 | | 126 | ● |
| 128 | | 128 | ○ |

Accessories

PSS Alignment device for F7 fibre optic contact



| |
|-----------------------|
| Part number |
| PSS.F7.290.NZZ |

Note: Alignment device should be ordered as replacement item.

Tooling

DCP Set of flat spanners for collet nuts



| |
|----------------------|
| Part number |
| DCP.2M.110.TN |
| DCP.3M.110.TN |
| DCP.5M.110.TN |

DCS F7 contact alignment device tool



Simple tool with two threaded end for installation/extraction of the F7 contact alignment device.

| |
|----------------------|
| Part number |
| DCS.F7.035.PN |

WST Cleaning kit



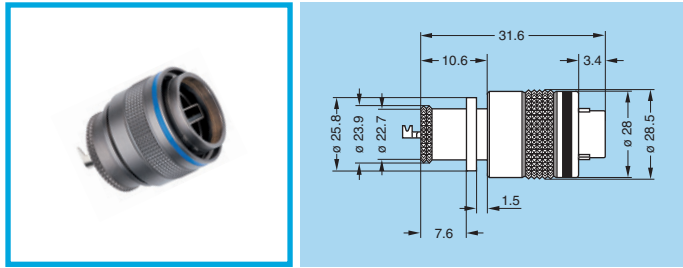
Fibre optic cleaning kit of 2 cotton buds, 1 dry and 1 being soaked in Isopropyl Alcohol used for cleaning the fibre optic contacts.

| |
|----------------------|
| Part number |
| WST.KI.125.34 |

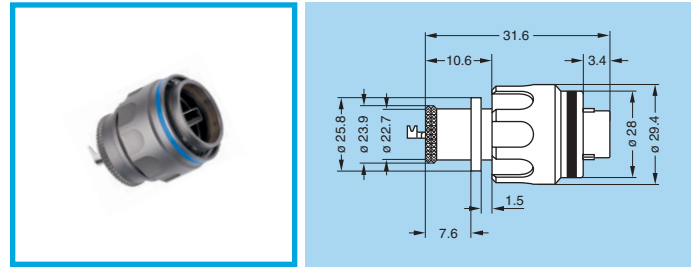
See also F7 tooling in the F7 fibre optic catalog.

USB models

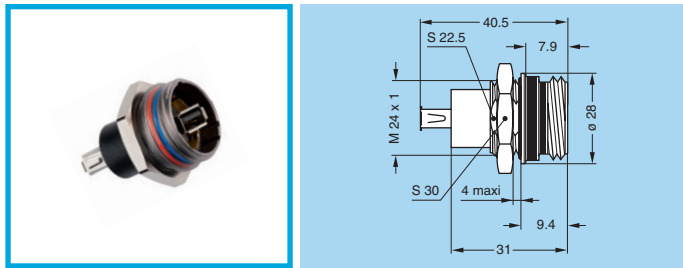
FM.LM.U2A.XPAT Straight plug, key (W) or key (R) with knurled grip and mold stop



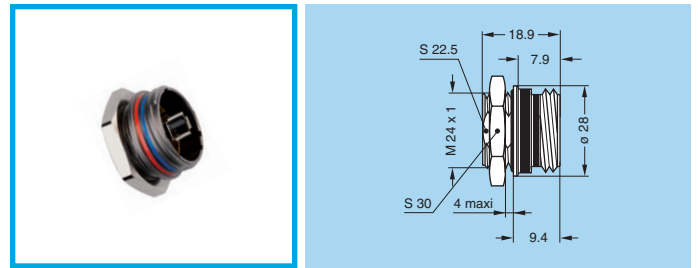
FG.LM.U2A.XPAT Straight plug, key (W) or key (R) with arctic grip and mold stop



EG.LM.U2A.XPP Fixed socket, female to female, nut fixing, key (W) or key (R)



EG.LM.U2A.XPL Fixed socket, nut fixing, key (W) or key (R)



Alignment Key

Alignment Key and Polarized Keying System

M series connector model part numbers are composed of three letters. The LAST LETTER indicates the keys corresponding to a particular contact type.

For example, straight plugs with N, P, R, U or W keys, are fitted with male contacts; whereas with S, T, V or X keys, plugs are fitted with female contacts. Sockets with N, P, R, U or W keys, are fitted with female contacts; whereas with S, T, V or X keys, sockets are fitted with male contacts.

| MM to 3M | Front view of a socket | Model | Colour code | Contact type | | Nb of keys | Angles | |
|----------|------------------------|--------|-------------|--------------|--------|------------|---------|----------|
| | | | | Plug | Socket | | β | γ |
| | | | | ●●N | blue | | male | female |
| ●●P | yellow | male | female | 3 | 150° | 60° | | |
| ●●U | green | male | female | 3 | 130° | 100° | | |
| ●●S | red | female | male | 3 | 155° | 50° | | |
| ●●T | orange | female | male | 3 | 135° | 90° | | |

| TM to 5M | Front view of a socket | Model | Colour code | Contact type | | Nb of keys | Angles | | | |
|----------|------------------------|--------|-------------|--------------|--------|------------|----------|---------|----------|----------|
| | | | | Plug | Socket | | α | β | γ | δ |
| | | | | ●●W | blue | | male | female | 5 | 95° |
| ●●R | yellow | male | female | 5 | 105° | 115° | 30° | 20° | | |
| ●●X | red | female | male | 5 | 100° | 125° | 40° | 20° | | |
| ●●V | orange | female | male | 5 | 110° | 120° | 35° | 25° | | |

Insert configuration

Multipole

| | Male crimp contacts for plug | | Female crimp contacts for sockets | | Reference | Number of contacts | ø A (mm) | Contact type | | AWG | Test voltage (kV rms) ¹⁾ Contact-contact | Test voltage (kV rms) ¹⁾ Contact-shell | Rated current (A) ¹⁾ |
|-----------|----------------------------------|--------------------------------|---------------------------------------|--|------------|--------------------|----------|--------------|---|----------|--|--|---------------------------------|
| | Crimp | Print (straight) ²⁾ | | | | | | | | | | | |
| MM | | | | | 303 | 3 | 0.5 | ● | ● | 28-30-32 | 1.15 | 0.95 | 3.0 |
| | | | | | 304 | 4 | 0.5 | ● | ● | 28-30-32 | 0.95 | 0.90 | 2.0 |
| OM | | | | | 302 | 2 | 0.9 | ● | ● | 20-22-24 | 1.45 | 1.00 | 10.0 |
| | | | | | 303 | 3 | 0.9 | ● | ● | 20-22-24 | 1.70 | 1.40 | 8.0 |
| | | | | | 304 | 4 | 0.7 | ● | ● | 22-24-26 | 1.35 | 0.90 | 7.0 |
| | | | | | 305 | 5 | 0.7 | ● | ● | 22-24-26 | 1.25 | 1.00 | 6.5 |
| 1M | | | | | 302 | 2 | 1.3 | ● | ● | 16-18-20 | 1.55 | 1.10 | 19.0 |
| | | | | | 303 | 3 | 1.3 | ● | ● | 16-18-20 | 1.05 | 0.95 | 15.5 |
| | | | | | 305 | 5 | 0.9 | ● | ● | 20-22-24 | 1.30 | 1.30 | 9.0 |
| | | | | | 307 | 7 | 0.7 | ● | ● | 22-24-26 | 1.45 | 1.20 | 7.0 |
| | | | | | 308 | 8 | 0.7 | ● | ● | 22-24-26 | 1.30 | 1.10 | 5.0 |
| 2M | | | | | 304 | 4 | 1.3 | ● | ● | 16-18-20 | 1.55 | 1.35 | 15.5 |
| | | | | | 308 | 8 | 0.9 | ● | ● | 20-22-24 | 1.95 | 1.10 | 10.0 |
| | | | | | 310 | 10 | 0.9 | ● | ● | 20-22-24 | 1.80 | 1.20 | 8.0 |
| | | | | | 312 | 12 | 0.7 | ● | ● | 22-24-26 | 1.65 | 1.15 | 7.0 |
| | | | | | 319 | 19 | 0.7 | ● | ● | 22-24-26 | 1.20 | 1.00 | 4.0 |
| 3M | | | | | 312 | 12 | 0.9 | ● | ● | 20-22-24 | 1.40 | 1.25 | 6.0 |
| | | | | | 322 | 22 | 0.7 | ● | ● | 22-24-26 | 1.25 | 1.15 | 4.0 |
| | | | | | 330 | 30 | 0.7 | ● | ● | 22-24-26 | 1.10 | 1.00 | 3.5 |

Multipole

| | Male crimp contacts for plug | Female crimp contacts for sockets | Reference | Number of contacts | ø A (mm) | Contact type | | AWG | Test voltage (kV rms) ¹⁾ Contact-contact | Test voltage (kV rms) ¹⁾ Contact-shell | Rated current (A) ¹⁾ |
|-----------|----------------------------------|---------------------------------------|------------|--------------------|----------|--------------|--------------------------------|----------|--|--|---------------------------------|
| | | | | | | Crimp | Print (straight) ²⁾ | | | | |
| TM | | | 325 | 25 | 0.9 | ● | ● | 20-22-24 | 1.10 | 1.25 | 5.0 |
| | | | 332 | 32 | 0.7 | ● | ● | 22-24-26 | 1.25 | 1.20 | 3.5 |
| | | | 340 | 40 | 0.7 | ● | ● | 22-24-26 | 1.05 | 1.20 | 3.0 |
| 4M | | | 340 | 40 | 0.7 | ● | ● | 22-24-26 | 1.20 | 1.35 | 3.5 |
| | | | 348 | 48 | 0.7 | ● | ● | 22-24-26 | 1.10 | 1.35 | 3.0 |
| LM | | | 355 | 55 | 0.9 | ● | ● | 20-22-24 | 1.65 | 1.95 | 3.5 |
| | | | 368 | 68 | 0.7 | ● | ● | 22-24-26 | 1.40 | 1.65 | 2.5 |
| 5M | | | 366 | 66 | 0.9 | ● | ● | 20-22-24 | 1.60 | 1.70 | 3.0 |
| | | | 114 | 114 | 0.7 | ● | ● | 22-24-26 | 1.37 | 1.34 | 2.0 |

Note: ¹⁾ Test voltage according to IEC 60512-2 test 4a. ²⁾ For EG•, EC•, ED•, HE• socket.



Mixed multipole

| | Male crimp contacts for plug | Female crimp contacts for sockets | Reference | Number of contacts | ø A (mm) | Contact type | | AWG | Test voltage (kV rms) ¹⁾ Contact-contact | Test voltage (kV rms) ¹⁾ Contact-shell | Rated current (A) ¹⁾ |
|-----------|------------------------------|-----------------------------------|------------|--------------------|------------|--------------|--------------------------------|----------------------|--|--|---------------------------------|
| | | | | | | Crimp | Print (straight) ²⁾ | | | | |
| 1M | | | 304 | 2 2 | 0.7 1.3 | ● | ● | 22-24-26 16-18-20 | 1.20 1.45 | 1.30 2.00 | 11.0 18.5 |
| 2M | | | 306 | 3 3 | 0.7 1.3 | ● | ● | 22-24-26 16-18-20 | 1.55 2.05 | 1.40 1.35 | 10.5 18.0 |
| | | | 308 | 6 2 | 0.7 1.3 | ● | ● | 22-24-26 16-18-20 | 1.95 1.75 | 1.40 1.60 | 7.0 23.0 |
| | | | 310 | 8 2 | 0.7 1.3 | ● | ● | 22-24-26 16-18-20 | 1.35 1.90 | 1.35 1.15 | 6.0 23.0 |
| 3M | | | 316 | 10 6 | 0.7 1.3 | ● | ● | 22-24-26 16-18-20 | 0.90 1.35 | 0.95 1.15 | 2.0 11.0 |
| 5M | | | 366 | 44 22 | 0.7 1.3 | ● | ● | 22-24-26 16-18-20 | 1.65 1.95 | 2.70 1.80 | 3.0 6.0 |

FGN.1M.304.XRCT2: straight plug with key (N), 1M series, multipole type with 4 mixed contacts (2 x ø 0.7 mm and 2 x ø 1.3 mm), outer shell with mold stop in anthracite nickel- aluminium alloy, PEEK insulator, male crimp contacts.

FGN.2M.308.XRC6: straight plug with key (N), 2M series, multipole type with 8 mixed contacts (6 x ø 0.7 mm and 2 x ø 1.3 mm), outer shell in anthracite nickel-plated aluminium alloy, PEEK insulator, male crimp contacts.

Multi fibre and Mixed fibre optic + LV

| | Male contacts for plug | Female contacts for sockets | Reference | Fibre optic No | Low Voltage contact | | | | | |
|-----------|------------------------|-----------------------------|------------|----------------|---------------------|----------|--------------|--|-------------------|--|
| | | | | | Contact No | ø A (mm) | Contact type | | Rated current (A) | |
| | | | | | | | Crimp | Test voltage (kV rms) ¹⁾ Contact-contact | | Test voltage (kV rms) ¹⁾ Contact-shell |
| 2M | | | 03A | 2 | - | - | - | - | - | - |
| 3M | | | 95B | 4 | 4 | 0.9 | ● | 1.00 | 0.80 | 8.0 |
| 5M | | | 03W | 21 | - | - | - | - | - | - |

Note: ¹⁾ Test voltage according to IEC 60512-2 test 4a. ²⁾ For EG•, EC•, ED•, HE• socket.

USB

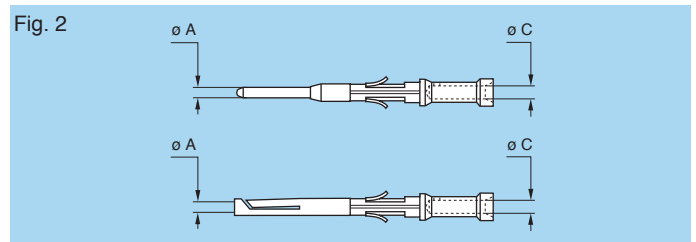
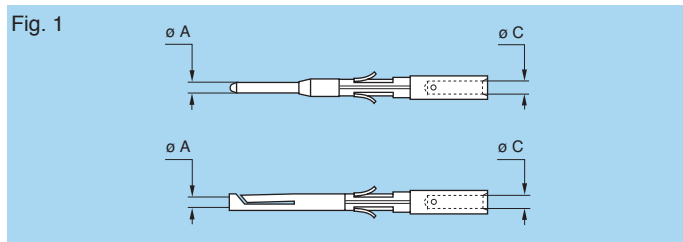
| | Male front view | Female front view | Reference | Number of contacts | Solder contact | Test voltage (kV rms) ¹⁾ Contact-contact | Test voltage (kV rms) ¹⁾ Contact-shell | Rated current (A) ¹⁾ |
|-----------|-----------------|-------------------|------------|--------------------|----------------|--|--|---------------------------------|
| LM | | | U2A | 4 | ● | 1.20 | 0.95 | n.a. |

Contacts

| Reference | Contact type |
|-----------|--|
| C | Male crimp with standard crimp barrel (fig. 1) |
| B | Male crimp with reduced crimp barrel (fig. 2) |
| D | Male straight print |

| Reference | Contact type |
|-----------|--|
| M | Female crimp with standard crimp barrel (fig. 1) |
| P | Female crimp with reduced crimp barrel (fig. 2) |
| N | Female straight print |

Crimp contacts for plugs, free or fixed sockets



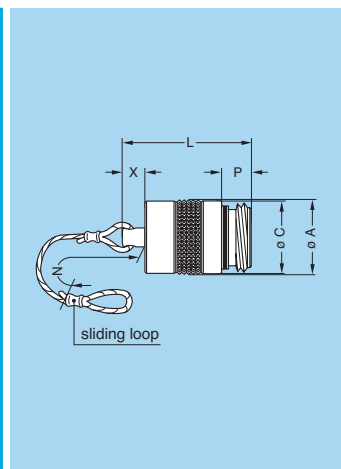
Dimension of crimp barrels

| | Contact | | | Ref. contact type | | Conductor | | | | Part number | |
|-----------------|----------|----------|---------------|-------------------|----------|-----------|------|----------------------------|-------|-----------------------|-----------------------|
| | ø A (mm) | ø C (mm) | Form per fig. | Male | Female | AWG | | Section (mm ²) | | For male contacts | For female contacts |
| | | | | | | min. | max. | min. | max. | | |
| MM | 0.5 | 0.42 | 1 | C | M | 32 | 28 | 0.035 | 0.090 | FGG.00.554.ZZC | EGG.00.654.ZZM |
| 0M to 3M | 1.3 | 1.60 | 1 | C | M | 20 | 16 | 0.616 | 2.000 | FGN.0M.565.ZZC | EGN.0M.665.ZZM |
| | 0.9 | 1.10 | 1 | C | M | 24 | 20 | 0.204 | 0.616 | FGN.0M.560.ZZC | EGN.0M.660.ZZM |
| | 0.9 | 0.87 | 2 | B | P | 26 | 22 | 0.128 | 0.382 | FGN.0M.561.ZZC | EGN.0M.661.ZZM |
| | 0.7 | 0.87 | 1 | C | M | 26 | 22 | 0.128 | 0.382 | FGN.0M.555.ZZC | EGN.0M.655.ZZM |
| | 0.7 | 0.44 | 2 | B | P | 32 | 28 | 0.032 | 0.092 | FGN.0M.556.ZZC | EGN.0M.656.ZZM |
| TM to 5M | 1.3 | 1.60 | 1 | C | M | 20 | 16 | 0.616 | 2.000 | FGN.0M.565.ZZC | EGN.0M.665.ZZM |
| | 0.9 | 1.10 | 1 | C | M | 24 | 20 | 0.204 | 0.616 | FGN.0M.560.ZZC | EGW.TM.660.ZZM |
| | 0.9 | 0.87 | 2 | B | P | 26 | 22 | 0.128 | 0.382 | FGN.0M.561.ZZC | EGW.TM.661.ZZM |
| | 0.7 | 0.87 | 1 | C | M | 26 | 22 | 0.128 | 0.382 | FGN.0M.555.ZZC | EGW.TM.655.ZZM |
| | 0.7 | 0.44 | 2 | B | P | 32 | 28 | 0.032 | 0.092 | FGN.0M.556.ZZC | EGW.TM.656.ZZM |

Note: In order to satisfy crimp pull-test requirements to the IEC 60352-2 standard, the use of single strand cables should be avoided.

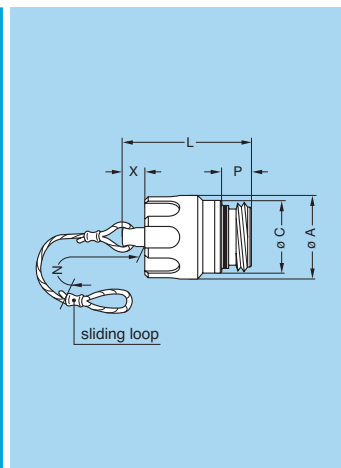
Accessories

BMF Blanking caps for plugs



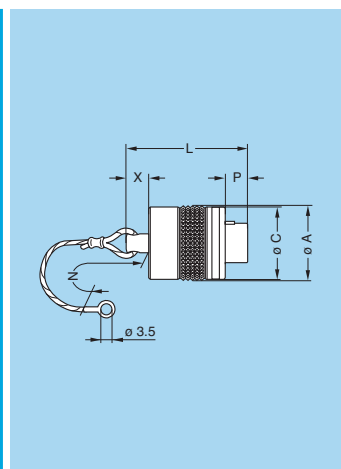
| Part number | Dimensions (mm) | | | | | |
|-----------------------|-----------------|------|------|-------|-----|------|
| | A | C | L | N | P | X |
| BMF.MM.100.·AV | 11.1 | 10.7 | 17.8 | 60.0 | 3.7 | 4.0 |
| BMF.0M.100.·AV | 13.1 | 12.7 | 24.6 | 85.0 | 5.3 | 6.0 |
| BMF.1M.100.·AV | 14.6 | 14.2 | 24.6 | 85.0 | 5.3 | 6.0 |
| BMF.2M.100.·AV | 17.6 | 17.2 | 24.6 | 85.0 | 5.3 | 6.0 |
| BMF.3M.100.·AV | 19.6 | 19.2 | 24.6 | 120.0 | 5.3 | 6.0 |
| BMF.TM.100.·AV | 22.5 | 22.0 | 31.1 | 120.0 | 7.9 | 10.0 |
| BMF.4M.100.·AV | 25.0 | 24.5 | 31.1 | 120.0 | 7.9 | 10.0 |
| BMF.LM.100.·AV | 28.5 | 28.0 | 31.1 | 150.0 | 7.9 | 10.0 |
| BMF.5M.100.·AV | 34.0 | 33.5 | 31.1 | 150.0 | 7.9 | 10.0 |

BGF Blanking caps for plugs



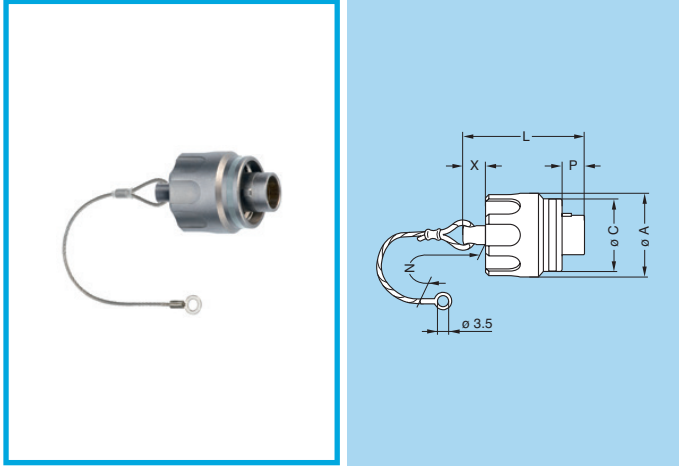
| Part number | Dimensions (mm) | | | | | |
|-----------------------|-----------------|------|------|-------|-----|------|
| | A | C | L | N | P | X |
| BGF.MM.100.·AV | 12.0 | 10.7 | 17.8 | 60.0 | 3.7 | 4.0 |
| BGF.0M.100.·AV | 14.4 | 12.7 | 24.6 | 85.0 | 5.3 | 6.0 |
| BGF.1M.100.·AV | 15.9 | 14.2 | 24.6 | 85.0 | 5.3 | 6.0 |
| BGF.2M.100.·AV | 18.9 | 17.2 | 24.6 | 85.0 | 5.3 | 6.0 |
| BGF.3M.100.·AV | 20.9 | 19.2 | 24.6 | 120.0 | 5.3 | 6.0 |
| BGF.TM.100.·AV | 23.4 | 22.0 | 31.1 | 120.0 | 7.9 | 10.0 |
| BGF.4M.100.·AV | 25.9 | 24.5 | 31.1 | 120.0 | 7.9 | 10.0 |
| BGF.LM.100.·AV | 29.4 | 28.0 | 31.1 | 150.0 | 7.9 | 10.0 |
| BGF.5M.100.·AV | 34.9 | 33.5 | 31.1 | 150.0 | 7.9 | 10.0 |

BME Blanking caps for fixed sockets



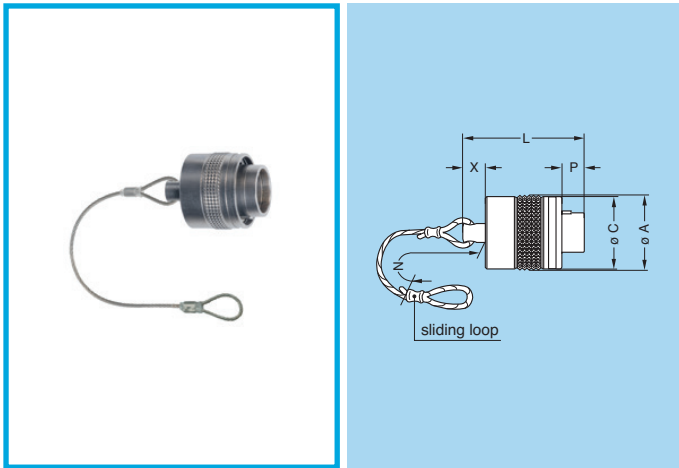
| Part number | Dimensions (mm) | | | | | |
|-----------------------|-----------------|------|------|-------|-----|------|
| | A | C | L | N | P | X |
| BME.MM.200.·AZ | 11.1 | 10.7 | 19.5 | 60.0 | 5.5 | 4.0 |
| BME.0M.200.·AZ | 13.1 | 12.7 | 23.4 | 85.0 | 3.9 | 6.0 |
| BME.1M.200.·AZ | 14.6 | 14.2 | 23.4 | 85.0 | 3.9 | 6.0 |
| BME.2M.200.·AZ | 17.6 | 17.2 | 23.4 | 85.0 | 3.9 | 6.0 |
| BME.3M.200.·AZ | 19.6 | 19.2 | 23.4 | 120.0 | 3.9 | 6.0 |
| BME.TM.200.·AZ | 22.5 | 22.0 | 31.0 | 120.0 | 3.4 | 10.0 |
| BME.4M.200.·AZ | 25.0 | 24.5 | 31.0 | 120.0 | 3.4 | 10.0 |
| BME.LM.200.·AZ | 28.5 | 28.0 | 31.0 | 150.0 | 3.4 | 10.0 |
| BME.5M.200.·AZ | 34.0 | 33.5 | 31.0 | 150.0 | 3.4 | 10.0 |

BGE Blanking caps for fixed sockets



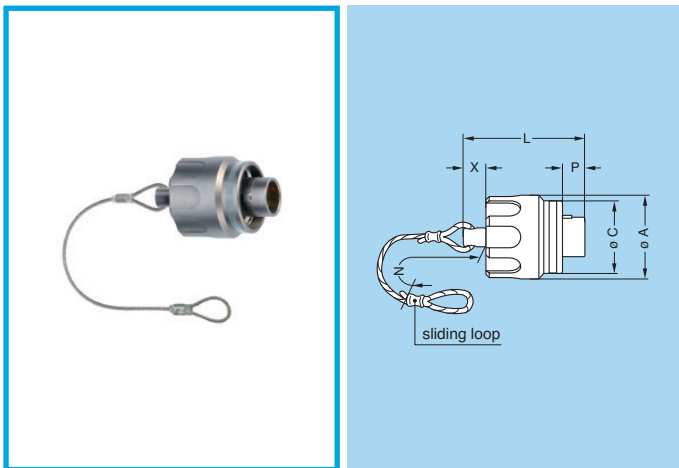
| Part number | Dimensions (mm) | | | | | |
|-----------------------|-----------------|------|------|-------|-----|------|
| | A | C | L | N | P | X |
| BGE.MM.200.·AZ | 12.0 | 10.7 | 19.5 | 60.0 | 5.5 | 4.0 |
| BGE.0M.200.·AZ | 14.4 | 12.7 | 23.4 | 85.0 | 3.9 | 6.0 |
| BGE.1M.200.·AZ | 15.9 | 14.2 | 23.4 | 85.0 | 3.9 | 6.0 |
| BGE.2M.200.·AZ | 18.9 | 17.2 | 23.4 | 85.0 | 3.9 | 6.0 |
| BGE.3M.200.·AZ | 20.9 | 19.2 | 23.4 | 120.0 | 3.9 | 6.0 |
| BGE.TM.200.·AZ | 23.4 | 22.0 | 31.0 | 120.0 | 3.4 | 10.0 |
| BGE.4M.200.·AZ | 25.9 | 24.5 | 31.0 | 120.0 | 3.4 | 10.0 |
| BGE.LM.200.·AZ | 29.4 | 28.0 | 31.0 | 150.0 | 3.4 | 10.0 |
| BGE.5M.200.·AZ | 34.9 | 33.5 | 31.0 | 150.0 | 3.4 | 10.0 |

BMF Blanking caps for free sockets



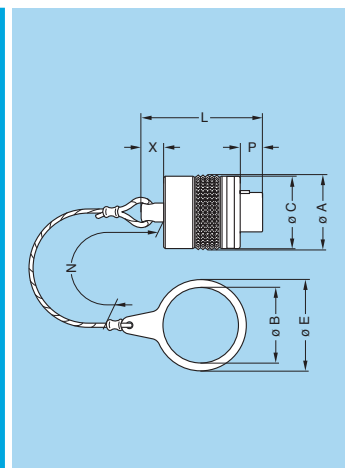
| Part number | Dimensions (mm) | | | | | |
|-----------------------|-----------------|------|------|-------|-----|------|
| | A | C | L | N | P | X |
| BMF.MM.200.·AZ | 11.1 | 10.7 | 19.5 | 60.0 | 5.5 | 4.0 |
| BMF.0M.200.·AZ | 13.1 | 12.7 | 23.4 | 85.0 | 3.9 | 6.0 |
| BMF.1M.200.·AZ | 14.6 | 14.2 | 23.4 | 85.0 | 3.9 | 6.0 |
| BMF.2M.200.·AZ | 17.6 | 17.2 | 23.4 | 85.0 | 3.9 | 6.0 |
| BMF.3M.200.·AZ | 19.6 | 19.2 | 23.4 | 120.0 | 3.9 | 6.0 |
| BMF.TM.200.·AZ | 22.5 | 22.0 | 31.0 | 120.0 | 3.4 | 10.0 |
| BMF.4M.200.·AZ | 25.0 | 24.5 | 31.0 | 120.0 | 3.4 | 10.0 |
| BMF.LM.200.·AZ | 28.5 | 28.0 | 31.0 | 150.0 | 3.4 | 10.0 |
| BMF.5M.200.·AZ | 34.0 | 33.5 | 31.0 | 150.0 | 3.4 | 10.0 |

BGF Blanking caps for free sockets



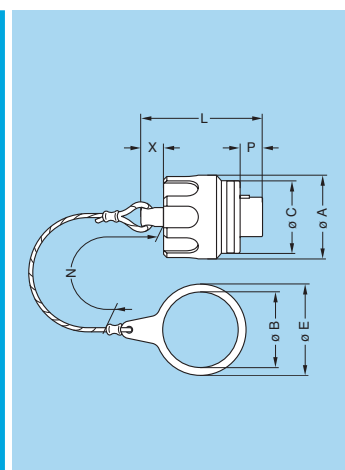
| Part number | Dimensions (mm) | | | | | |
|-----------------------|-----------------|------|------|-------|-----|------|
| | A | C | L | N | P | X |
| BGF.MM.200.·AZ | 12.0 | 10.7 | 19.5 | 60.0 | 5.5 | 4.0 |
| BGF.0M.200.·AZ | 14.4 | 12.7 | 23.4 | 85.0 | 3.9 | 6.0 |
| BGF.1M.200.·AZ | 15.9 | 14.2 | 23.4 | 85.0 | 3.9 | 6.0 |
| BGF.2M.200.·AZ | 18.9 | 17.2 | 23.4 | 85.0 | 3.9 | 6.0 |
| BGF.3M.200.·AZ | 20.9 | 19.2 | 23.4 | 120.0 | 3.9 | 6.0 |
| BGF.TM.200.·AZ | 23.4 | 22.0 | 31.0 | 120.0 | 3.4 | 10.0 |
| BGF.4M.200.·AZ | 25.9 | 24.5 | 31.0 | 120.0 | 3.4 | 10.0 |
| BGF.LM.200.·AZ | 29.4 | 28.0 | 31.0 | 150.0 | 3.4 | 10.0 |
| BGF.5M.200.·AZ | 34.9 | 33.5 | 31.0 | 150.0 | 3.4 | 10.0 |

BMK Blanking caps, large washer for EC●/PE●/HE● fixed sockets



| Part number | Dimensions (mm) | | | | | | | |
|----------------|-----------------|------|------|------|------|-------|-----|------|
| | A | B | C | E | L | N | P | X |
| BMK.MM.200.●AZ | 11.1 | 10.1 | 10.7 | 14.0 | 19.5 | 60.0 | 5.5 | 4.0 |
| BMK.0M.200.●AZ | 13.1 | 13.1 | 12.7 | 17.0 | 23.4 | 85.0 | 3.9 | 6.0 |
| BMK.1M.200.●AZ | 14.6 | 14.1 | 14.2 | 18.0 | 23.4 | 85.0 | 3.9 | 6.0 |
| BMK.2M.200.●AZ | 17.6 | 17.2 | 17.2 | 21.0 | 23.4 | 85.0 | 3.9 | 6.0 |
| BMK.3M.200.●AZ | 19.6 | 19.2 | 19.2 | 23.0 | 23.4 | 120.0 | 3.9 | 6.0 |
| BMK.TM.200.●AZ | 22.5 | 22.2 | 22.0 | 27.0 | 31.0 | 120.0 | 3.4 | 10.0 |
| BMK.4M.200.●AZ | 25.0 | 24.2 | 24.5 | 29.0 | 31.0 | 120.0 | 3.4 | 10.0 |
| BMK.LM.200.●AZ | 28.5 | 28.2 | 28.0 | 33.0 | 31.0 | 150.0 | 3.4 | 10.0 |
| BMK.5M.200.●AZ | 34.0 | 33.2 | 33.5 | 38.0 | 31.0 | 150.0 | 3.4 | 10.0 |

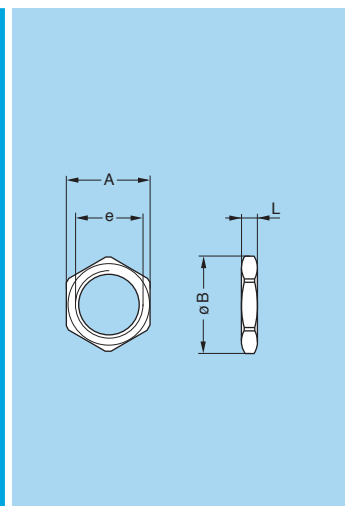
BGK Blanking caps, large washer for EC●/PE●/HE● fixed sockets



| Part number | Dimensions (mm) | | | | | | | |
|----------------|-----------------|------|------|------|------|-------|-----|------|
| | A | B | C | E | L | N | P | X |
| BGK.MM.200.●AZ | 12.0 | 10.1 | 10.7 | 14.0 | 19.5 | 60.0 | 5.5 | 4.0 |
| BGK.0M.200.●AZ | 14.4 | 13.1 | 12.7 | 17.0 | 23.4 | 85.0 | 3.9 | 6.0 |
| BGK.1M.200.●AZ | 15.9 | 14.1 | 14.2 | 18.0 | 23.4 | 85.0 | 3.9 | 6.0 |
| BGK.2M.200.●AZ | 18.9 | 17.2 | 17.2 | 21.0 | 23.4 | 85.0 | 3.9 | 6.0 |
| BGK.3M.200.●AZ | 20.9 | 19.2 | 19.2 | 23.0 | 23.4 | 120.0 | 3.9 | 6.0 |
| BGK.TM.200.●AZ | 23.4 | 22.2 | 22.0 | 27.0 | 31.0 | 120.0 | 3.4 | 10.0 |
| BGK.4M.200.●AZ | 25.9 | 24.2 | 24.5 | 29.0 | 31.0 | 120.0 | 3.4 | 10.0 |
| BGK.LM.200.●AZ | 29.4 | 28.2 | 28.0 | 33.0 | 31.0 | 150.0 | 3.4 | 10.0 |
| BGK.5M.200.●AZ | 34.9 | 33.2 | 33.5 | 38.0 | 31.0 | 150.0 | 3.4 | 10.0 |

Note: these caps are suitable for use with any alignment key configuration. The position «●» of the part number indicates the housing material. See page 5.

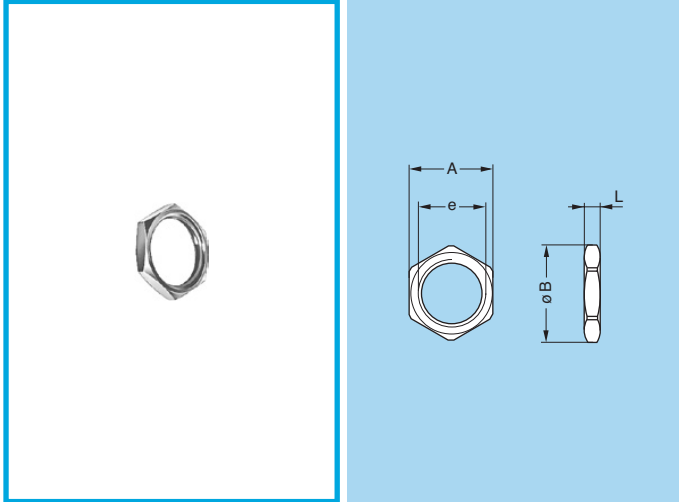
GEA Hexagonal nuts for EC● model



| Part number | Series | Dimensions (mm) | | | |
|---------------|--------|-----------------|------|----------|-----|
| | | A | B | e | L |
| GEA.MM.241.RL | MM | 12 | 13.5 | M10x0.50 | 2.5 |
| GEA.0M.241.RL | 0M | 16 | 18.2 | M13x0.75 | 2.5 |
| GEA.0E.240.RL | 1M | 17 | 19.2 | M14x1.00 | 2.5 |
| GEA.2M.241.RL | 2M | 19 | 21.5 | M17x1.00 | 3.0 |
| GEA.3M.241.RL | 3M | 25 | 22.0 | M19x1.00 | 3.0 |
| GEA.TM.241.RL | TM | 25 | 28.0 | M22x1.00 | 3.0 |
| GEA.4M.241.RL | 4M | 30 | 34.0 | M24x1.00 | 3.0 |
| GEA.LM.241.RL | LM | 32 | 36.0 | M28x1.00 | 3.0 |
| GEA.5M.241.RL | 5M | 37 | 41.0 | M33x1.00 | 3.0 |

● Material: Nickel-plated aluminium alloy (anthracite colour)

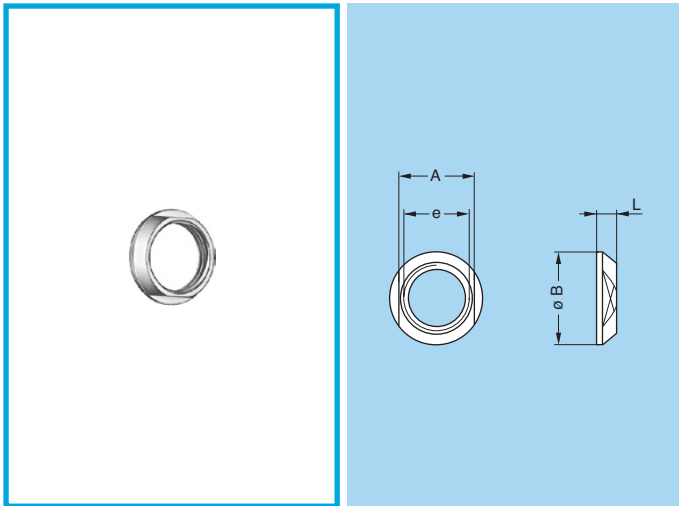
GEA Hexagonal nuts for EG• model



| Part number | Series | Dimensions (mm) | | | |
|----------------------|--------|-----------------|------|----------|-----|
| | | A | B | e | L |
| GEA.00.240.RL | MM | 9 | 10.2 | M7x0.50 | 2.0 |
| GEA.0S.240.RL | 0M | 11 | 12.4 | M9x0.60 | 2.0 |
| GEA.1M.240.RL | 1M | 13 | 14.5 | M11x1.00 | 2.5 |
| GEA.0E.240.RL | 2M | 17 | 19.2 | M14x1.00 | 2.5 |
| GEA.1E.240.RL | 3M | 19 | 21.5 | M16x1.00 | 3.0 |
| GEA.3S.240.RL | TM | 22 | 25.0 | M18x1.00 | 3.0 |
| GEA.4M.240.RL | 4M | 25 | 28.0 | M21x1.00 | 4.0 |
| GEA.3E.240.RL | LM | 30 | 34.0 | M24x1.00 | 5.0 |
| GEA.5M.240.RL | 5M | 36 | 40.5 | M30x1.00 | 5.0 |

● Material: Nickel-plated aluminium alloy (anthracite colour)

GEC Conical nut for models HE•, EC•, PE•



| Part number | Series | Dimensions (mm) | | | |
|----------------------|--------|-----------------|----|----------|-----|
| | | A | B | e | L |
| GEC.MM.240.RN | MM | 11 | 14 | M10x0.50 | 2.5 |
| GEC.0M.240.RN | 0M | 14 | 17 | M13x0.75 | 3.2 |
| GEC.0E.240.RN | 1M | 16 | 18 | M14x1.00 | 3.0 |
| GEC.2M.240.RN | 2M | 18 | 21 | M17x1.00 | 3.2 |
| GEC.3M.240.RN | 3M | 20 | 23 | M19x1.00 | 3.2 |
| GEC.TM.240.RN | TM | 23 | 27 | M22x1.00 | 5.0 |
| GEC.4M.240.RN | 4M | 25 | 29 | M24x1.00 | 5.0 |
| GEC.LM.240.RN | LM | 29 | 33 | M28x1.00 | 5.0 |
| GEC.5M.240.RN | 5M | 34 | 38 | M33x1.00 | 5.0 |

● Material: Nickel-plated aluminium alloy (anthracite colour)

FGN M series constant force spring clips

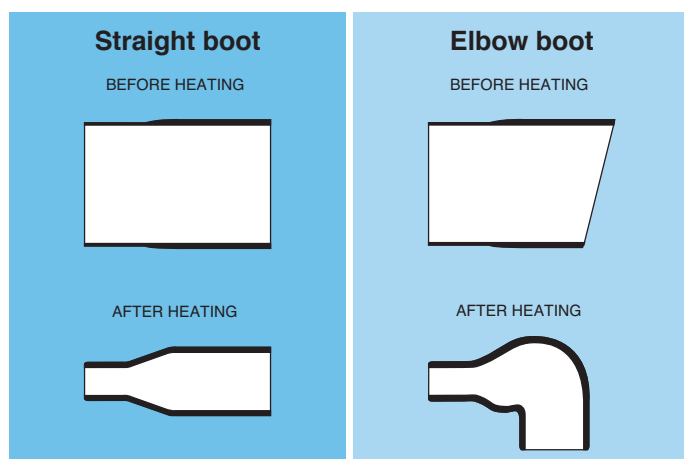


A range of constant force spring clips are available for use with M Series connectors, which permits repair of cable terminations without having to discard any of the existing braid shield system. When used in conjunction with LEMO heatshrink boots, a fully sealed termination is achieved. An additional benefit of the constant force spring is that it provides excellent resistance to shock or vibration due to its self-tensioning properties.

| Part number | Series | Braid grounding location diameter (mm) |
|----------------------|--------------|--|
| FGN.0M.185.AZ | 0M / 1M / 2M | 8.0 / 9.7 / 13.0 |
| FGN.3M.185.AZ | 3M / TM | 15.0 / 16.7 |
| FGN.5M.185.AZ | 4M / LM / 5M | 19.5 / 22.7 / 28.5 |

Note: Force spring clips can be assembled by hand. Do not require additional tools.

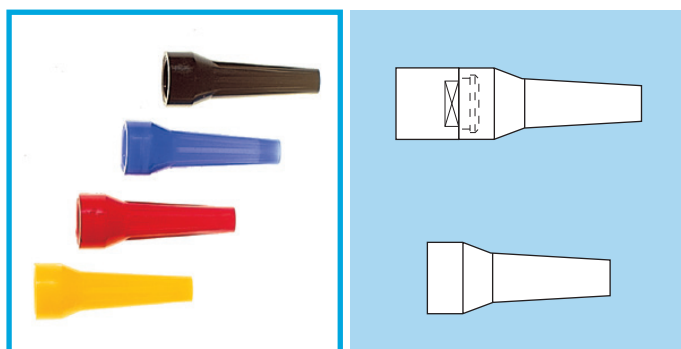
Heatshrink boot



| Supplier | Series | Part number | | Note | cable Ø min. (mm) |
|----------|--------|------------------------|------------------------|------|-------------------|
| | | Straight | Elbow 90° | | |
| LEMO | MM | GMA.10.290.DN | GHA.10.210.DN | 2) | 2.2 |
| Raychem® | 0M-2M | 202 A 111-25/86 | 222 A 111-25/86 | 1) | 3.8 |
| | 2M-4M | 202 A 121-25/86 | 222 A 121-25/86 | 1) | 5.3 |
| | 4M-5M | 202 A 142-25/86 | 222 A 142-25/86 | 1) | 7.4 |

Note:
¹⁾ modified elastomer resistant to fluids with hot melt sealant.
²⁾ elastomer resistant to fluids. We recommend a thermosetting sealant with this type of boot.

GMA Bend relief (for M series fibre optic model only)



| Part number (Polyurethane) | Series | Part number (Silicone) |
|----------------------------|--------|------------------------|
| GMA.2B.0..DG | 2M | GMA.2B.0..RG |
| GMA.3B.0..DG | 3M | GMA.3B.0..RG |
| GMA.4B.0..DG | 5M | GMA.4B.0..RG |

Note:
Please see unipole/multipole catalogue for bend relief dimensions. The last letter «G» of the part number indicates the grey colour of the bend relief. For ordering a bend relief with another colour, see table on the right and replace the letter «G» by the letter of the required colour.

A bend relief made from thermoplastic polyurethane elastomer can be fitted over LEMO plugs and sockets that are supplied with nut for fitting such bend relief.

An other bend relief has been designed for connectors used in applications at high temperature or requiring vapour sterilization. These bend reliefs are different from previous ones as for their material, a silicone elastomer which is noted for its retention of flexibility over a wide temperature range.

Main characteristics

- Material: TPU (Thermoplastic Polyurethane)
- Temperature range in dry atmosphere: -40°C +80°C
- Material: Silicone elastomer VMQ
- Temperature range in dry atmosphere: -60°C +200°C
- Temperature range in water steam: +140°C

| Ref. | Colour | Ref. | Colour | Ref. | Colour |
|----------|--------|----------|--------|----------|--------|
| A | blue | J | yellow | R | red |
| B | white | M | brown | S | orange |
| G | grey | N | black | V | green |

Tooling

DCE Positioners for crimp contacts

Male



| Contact | | Positioners part number |
|-----------|-------|-------------------------|
| Contact ø | Size | For male contacts |
| 1.3 | 0M-5M | DCE.91.130.5MVC |
| 0.9 | 0M-5M | DCE.91.090.5MVC |
| 0.7 | 0M-5M | DCE.91.070.5MVC |
| 0.5 | MM | DCE.91.050.0VC |

Female



| Contact | | Positioners part number |
|-----------|-------|-------------------------|
| Contact ø | Size | For female contacts |
| 1.3 | 0M-5M | DCE.91.130.5MVM |
| 0.9 | 0M-3M | DCE.91.090.3MVM |
| | TM-5M | DCE.91.09T.5MVM |
| 0.7 | 0M-3M | DCE.91.070.3MVM |
| | TM-5M | DCE.91.07T.5MVM |
| 0.5 | MM | DCE.91.050.0VM |

These positioners are suitable for use with both manual and pneumatic crimping tools according to the MIL-C-22520/7-01 standard.

DCF Extractors for crimp contacts



| Contact ø | Part number |
|-----------|-----------------------|
| 1.3 | DCF.93.131.4LT |
| 0.9 | DCF.93.090.4LT |
| 0.7 | DCF.93.070.4LT |
| 0.5 | DCF.91.050.2LT |

Note: this model is used for male and female contacts.

DCV Female contact insertion tool



| Contact ø | Part number |
|-----------|----------------------|
| 1.3 | DCV.13.05M.LA |
| 0.9 | DCV.09.05M.LA |
| 0.7 | DCV.07.05M.LA |
| 0.5 | DCV.05.05M.LA |

DCM Insert conical nut tightening tools

Insert conical nut

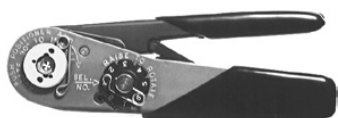


Torque wrench



| Part number | | Series | Torque (Nm) | For models |
|--------------------|----------------|--------|-------------|---------------|
| Insert conical nut | Torque wrench | | | |
| DCM.65.120.AZ | DCM.65.000.4PA | MM | 1.0 | EC●, HE●, PE● |
| DCM.65.140.AZ | | 0M | 1.0 | EC●, HE●, PE● |
| DCM.65.160.AZ | | 1M | 1.5 | EC●, HE●, PE● |
| DCM.65.180.AZ | | 2M | 2.0 | EC●, HE●, PE● |
| DCM.65.200.AZ | | 3M | 2.5 | EC●, HE●, PE● |
| DCM.65.230.AZ | DCM.65.040.8PA | TM | 4.0 | EC●, HE●, PE● |
| DCM.65.250.AZ | | 4M | 5.0 | EC●, HE●, PE● |
| DCM.65.290.AZ | | LM | 6.5 | EC●, HE●, PE● |
| DCM.65.340.AZ | | 5M | 8.0 | EC●, HE●, PE● |

DPC Manual crimping tool



Part number

DPC.91.701.V

According to specification MIL-C-22520/7-01.
For LEMO contacts \varnothing 0.5-0.7-0.9-1.3 mm

Banding tool and Tie-wrap



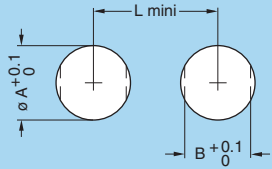
| | Part number | | |
|------------------------|----------------|---------------|-----------------|
| | GLEN-AIR® | TIE-DEX® | AXON® |
| Banding tool | 600-061 | A30199 | ACDBS100 |
| Tie wrap ¹⁾ | 600-057 | A31189 | AXCL0Z |

Note: ¹⁾ need to be ordered in addition of tool.
The banding tool is to be used with screened cables to ensure a good ground contact.

Panel Cut-Out

Cut-outs

EG●-EC●-HE●-PE●



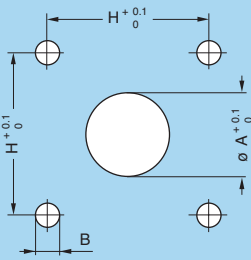
| Series | EG● | | | EC●/HE●/PE● | | |
|--------|-----------------|------|------|-----------------|------|------|
| | $\varnothing A$ | B | L | $\varnothing A$ | B | L |
| MM | 7.1 | 6.4 | 12.5 | 10.1 | 9.1 | 16.0 |
| 0M | 9.1 | 8.3 | 14.5 | 13.1 | 11.6 | 20.0 |
| 1M | 11.1 | 9.6 | 17.2 | 14.1 | 12.6 | 21.0 |
| 2M | 14.1 | 12.6 | 20.5 | 17.1 | 15.6 | 24.0 |
| 3M | 16.1 | 14.6 | 23.0 | 19.1 | 17.6 | 27.0 |
| TM | 18.1 | 16.6 | 27.0 | 22.1 | 20.6 | 31.5 |
| 4M | 21.1 | 19.6 | 30.0 | 24.1 | 22.6 | 35.5 |
| LM | 24.1 | 22.6 | 32.0 | 28.1 | 26.6 | 36.5 |
| 5M | 30.1 | 28.6 | 41.0 | 33.1 | 31.6 | 41.0 |

Mounting nut torque (on panel)

| Series | Torque (Nm) |
|--------|-------------|
| MM | 1.0 |
| 0M | 1.0 |
| 1M | 1.5 |
| 2M | 2.0 |
| 3M | 2.5 |
| TM | 4.0 |
| 4M | 5.0 |
| LM | 6.5 |
| 5M | 8.0 |

Cut-outs

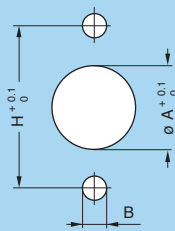
ED●-FA●-FW●-FX●-PV●-PF●



| Series | ED● | | | FA●/FW●/FX● | | | PV● | | | PF● | | |
|--------|-----------------|------|------|-----------------|------|------|-----------------|------|------|-----------------|------|------|
| | $\varnothing A$ | B | H | $\varnothing A$ | B | H | $\varnothing A$ | B | H | $\varnothing A$ | B | H |
| MM | 5.0 | M2.5 | 9.5 | 9.6 | M2.5 | 12.0 | 11.8 | M2.5 | 12.0 | 7.9 | M2.5 | 9.5 |
| 0M | 5.1 | M2.5 | 11.0 | 12.3 | M2.5 | 15.1 | 15.0 | M2.5 | 15.1 | 10.8 | M2.5 | 11.0 |
| 1M | 6.1 | M3.0 | 12.9 | 13.8 | M3.0 | 18.3 | 17.0 | M3.0 | 18.3 | 12.5 | M3.0 | 12.9 |
| 2M | 9.1 | M3.0 | 15.1 | 16.8 | M3.0 | 20.6 | 20.0 | M3.0 | 20.6 | 15.6 | M3.0 | 15.1 |
| 3M | 11.1 | M3.0 | 16.6 | 18.8 | M3.0 | 20.6 | 22.0 | M3.0 | 23.0 | 18.1 | M3.0 | 16.6 |
| TM | 12.5 | M3.0 | 18.3 | 21.6 | M3.0 | 23.0 | 25.0 | M3.0 | 24.6 | 19.9 | M3.0 | 18.3 |
| 4M | 14.1 | M3.0 | 20.6 | 24.1 | M3.0 | 24.6 | 28.0 | M3.0 | 27.0 | 22.7 | M3.0 | 20.6 |
| LM | 18.1 | M3.0 | 23.0 | 27.6 | M3.0 | 27.0 | 31.0 | M3.0 | 29.4 | 25.9 | M3.0 | 23.0 |
| 5M | 23.2 | M3.0 | 27.0 | 33.1 | M3.0 | 29.4 | 38.0 | M3.0 | 34.9 | 33.1 | M3.0 | 29.4 |

Cut-outs

PB●

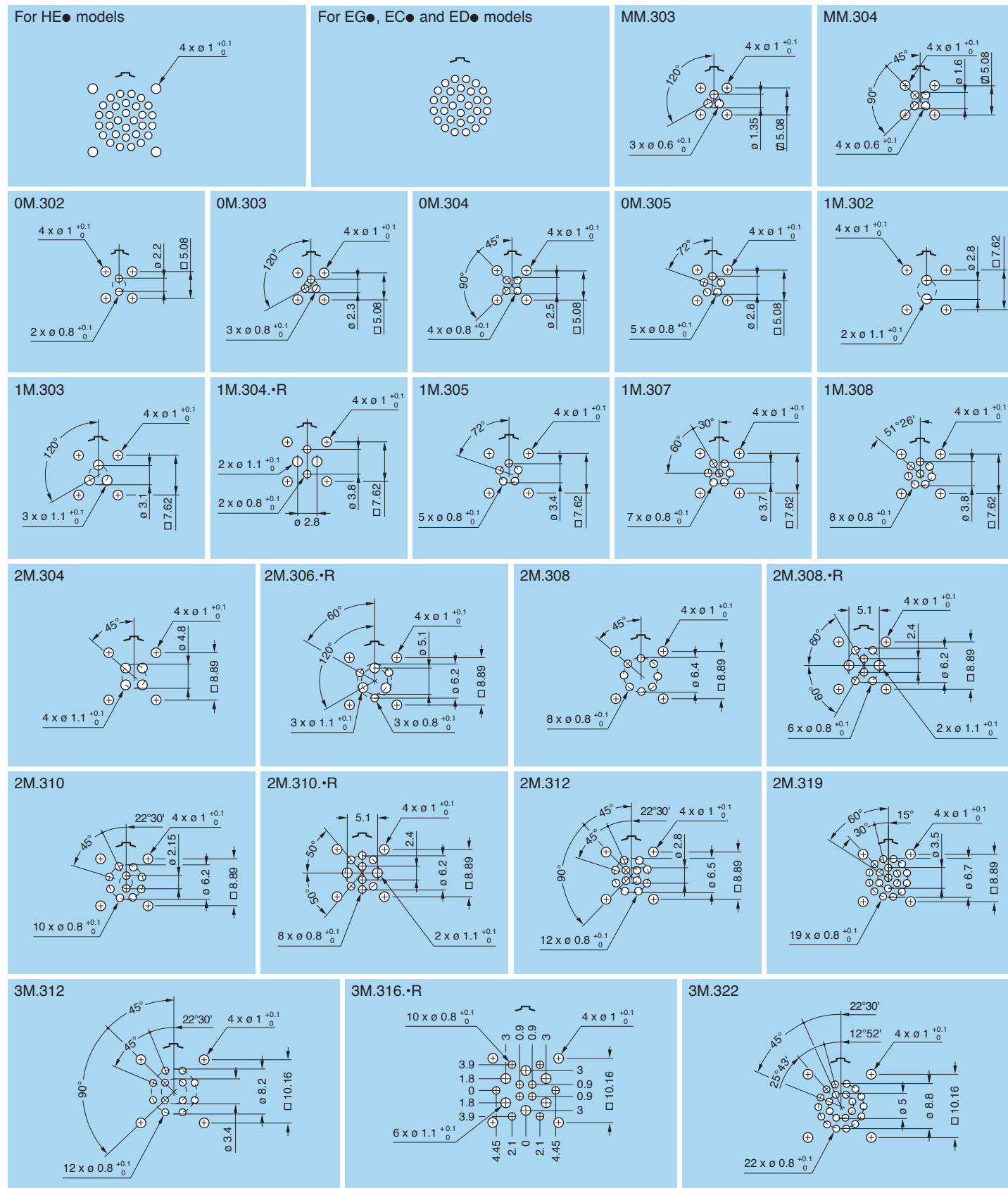


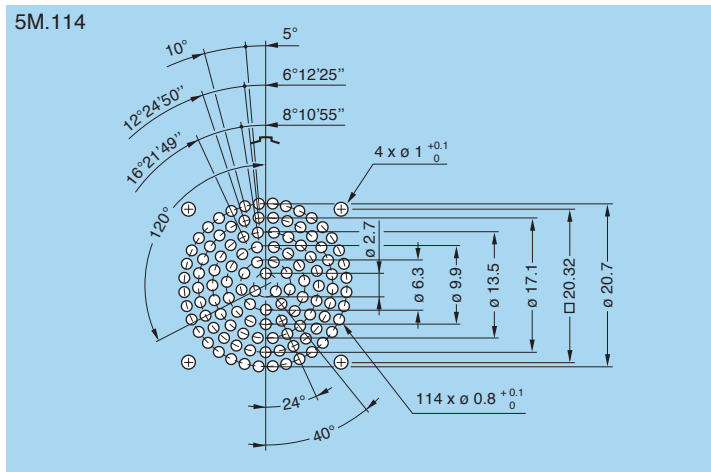
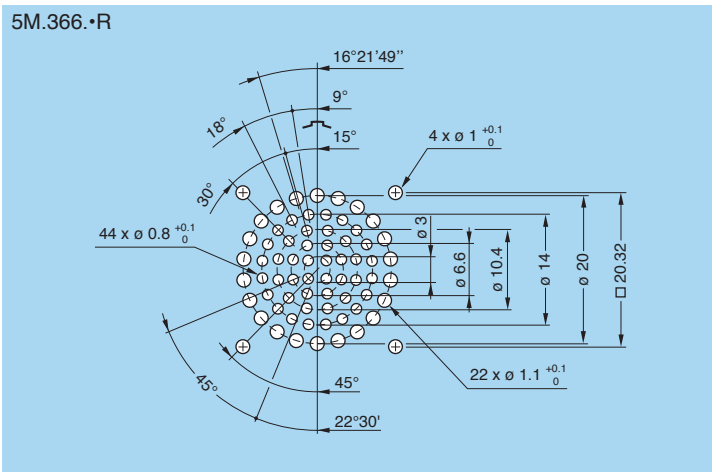
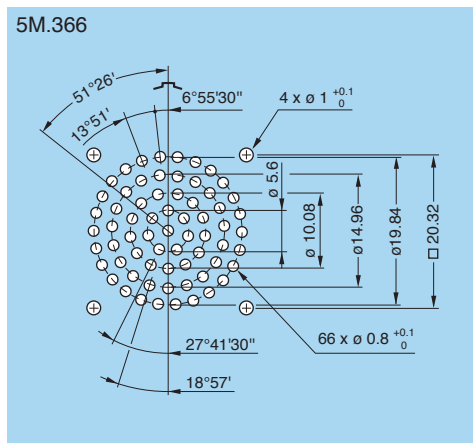
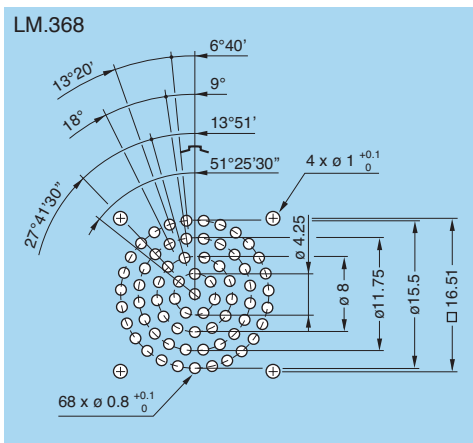
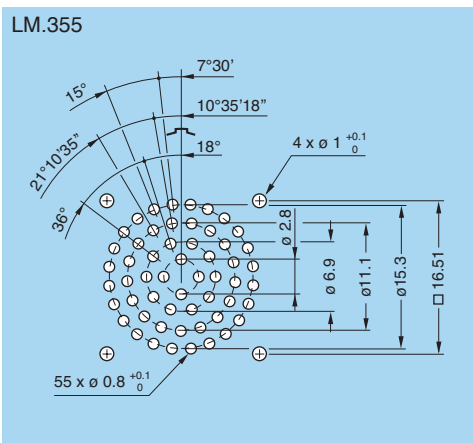
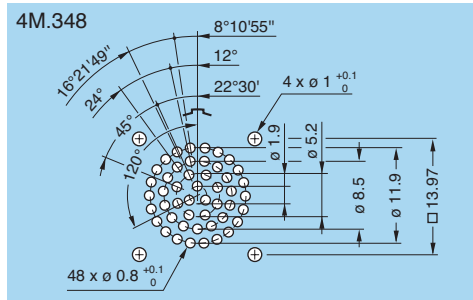
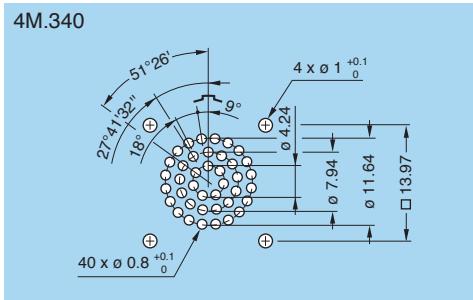
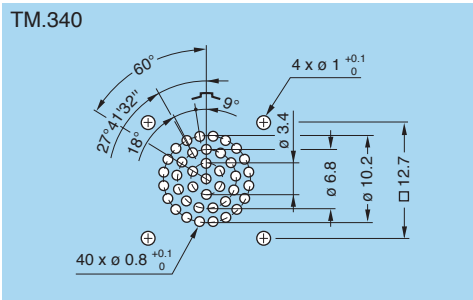
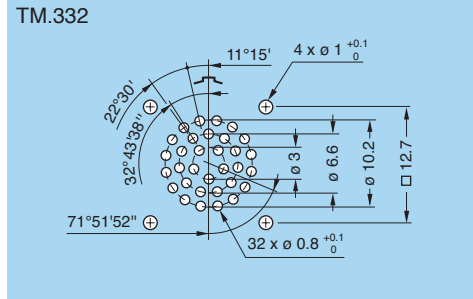
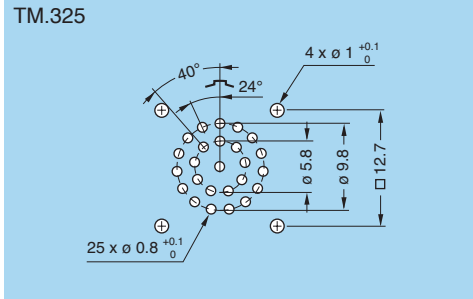
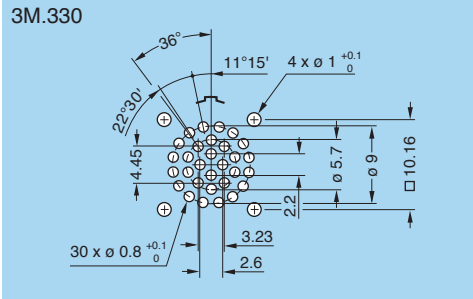
| Series | PB● | | |
|--------|-----------------|------|------|
| | $\varnothing A$ | B | H |
| MM | 11.8 | M2.5 | 16.2 |
| 0M | 15.0 | M3.0 | 21.4 |
| 1M | 17.0 | M3.0 | 23.4 |
| 2M | 20.0 | M3.0 | 26.4 |
| 3M | 22.0 | M3.0 | 29.0 |

| Series | PB● | | |
|--------|-----------------|------|------|
| | $\varnothing A$ | B | H |
| TM | 25.0 | M3.0 | 32.5 |
| 4M | 28.0 | M3.0 | 35.0 |
| LM | 31.0 | M3.0 | 38.0 |
| 5M | 38.0 | M3.0 | 45.0 |

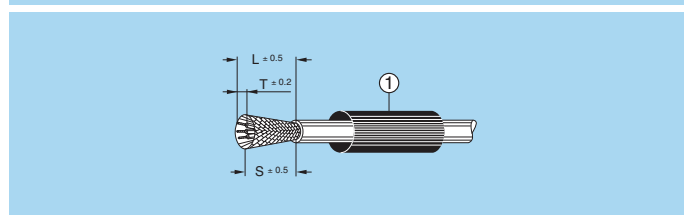
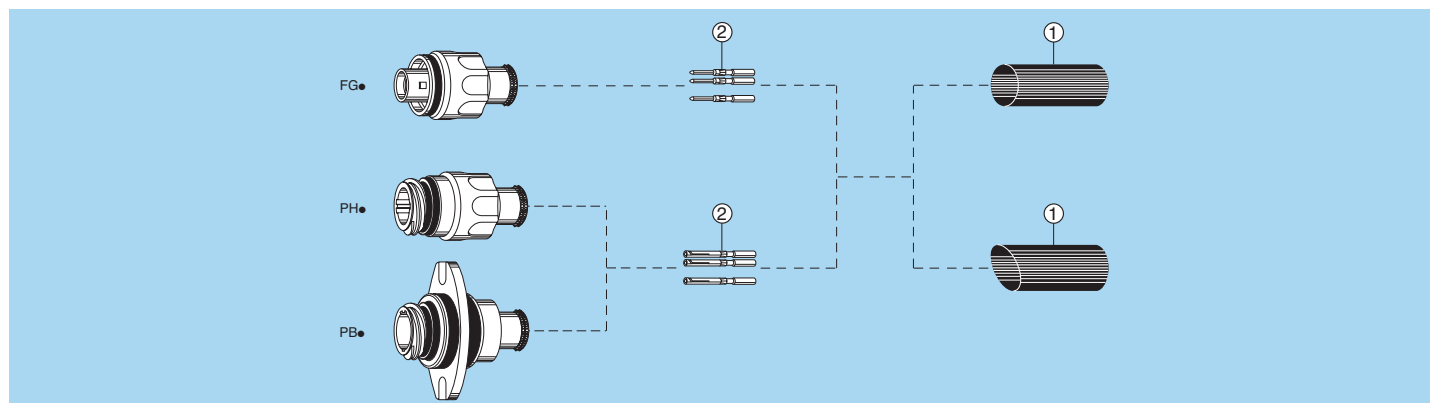
PCB drilling pattern

Fixed socket with straight print contact





Assembly instructions for plugs and sockets



1. Cable preparation

First place the heatshrink boot ① over the cable. Strip the cable according to dimensions of the table, then widen the shield.

| Series | L | S | T |
|----------|----|----|-----|
| MM | 14 | 9 | 3.0 |
| 0M to 5M | 20 | 15 | 3.5 |

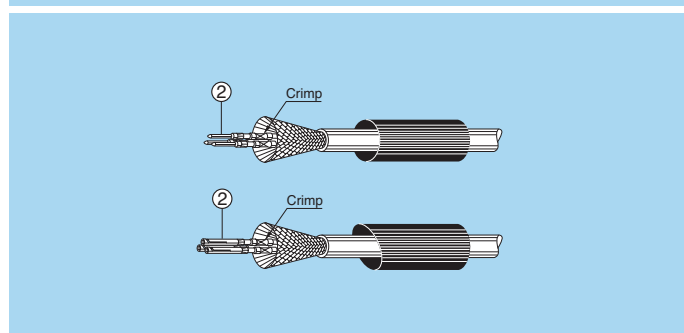
Note: dimensions are in mm.

2. Cable termination

2.1 With shielded cables, widen and pull the shield all the way to the back. Fix the appropriate positioner onto the crimping tool and set the selector to the number corresponding to the AWG of the conductor used as indicated on the positioner label.

Fit the conductor into the contact ②; make sure it is visible through the contact's inspection hole.

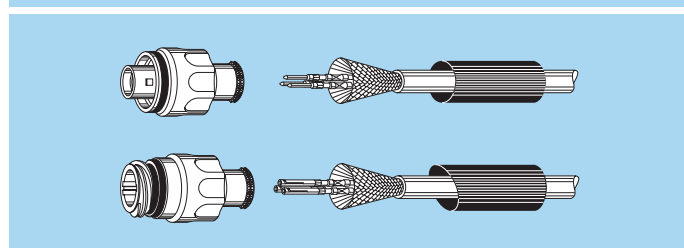
Slide the conductor-contact assembly into the open crimping tool; make sure that the contact is pushed fully into the positioner. Close the tool. Remove from crimping tool and check that conductor is secure in contact and shows in inspection hole.



2.2 Arrange the conductor-contact assemblies according to the markings, into the rear cable seal.

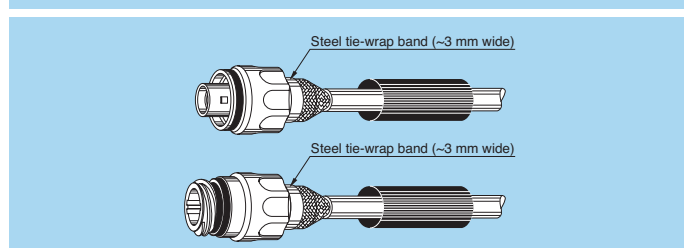
Push them deeply into the insulator, using tweezers if necessary; check that all the contacts are correctly located in the insulator: 1) by verifying the alignment of the contacts at the front of the insulator and 2) by gently pulling on each conductor.

Verification should also be made using the appropriate retention testing tool.

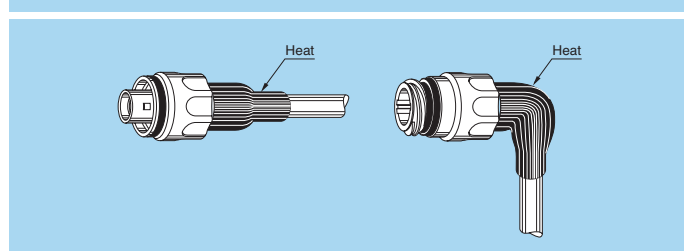


2.3 Bring the shield around the rear of connector.

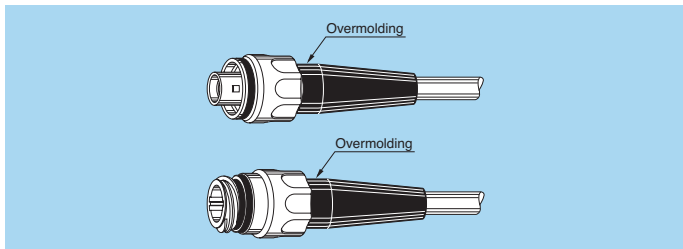
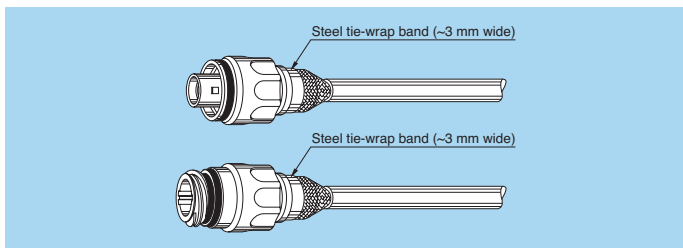
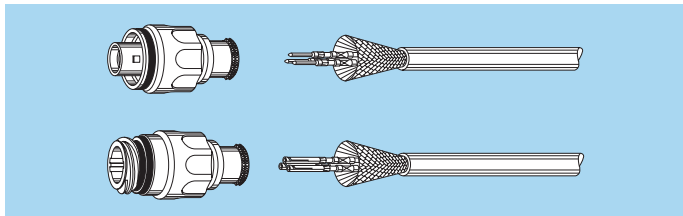
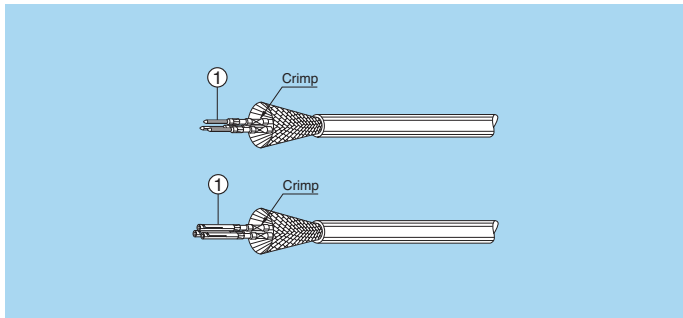
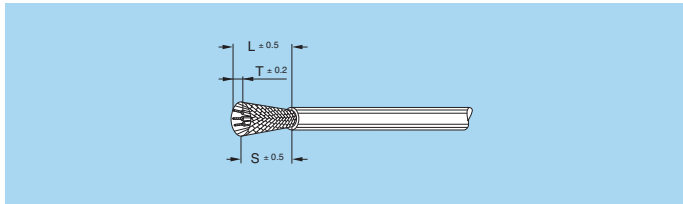
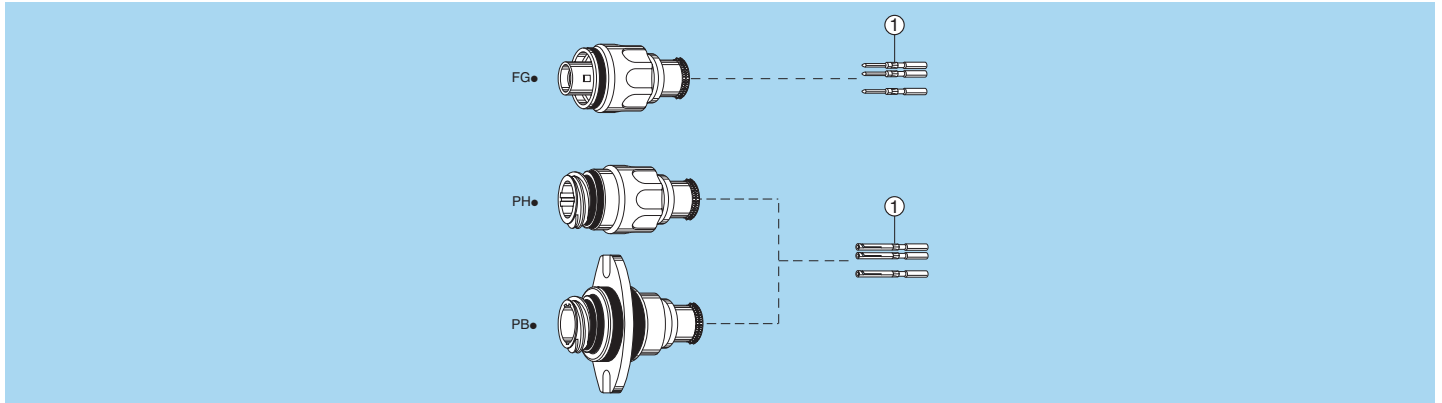
Secure it with a band-it tie-wrap (not furnished) to fix the shield in place. Cut off the possible shield surplus.



2.4 Put the heatshrink boot in place and heat gently until it retracts.



Assembly instructions for plugs and sockets (with optional mold stop)



1. Cable preparation

Strip the cable according to dimensions of the table, then widen the shield.

| Series | L | S | T |
|----------|----|----|-----|
| MM | 14 | 9 | 3.0 |
| 0M to 5M | 20 | 15 | 3.5 |

Note: dimensions are in mm.

2. Cable termination

2.1 With shielded cables, widen and pull the shield all the way to the back. Fix the appropriate positioner onto the crimping tool and set the selector to the number corresponding to the AWG of the conductor used as indicated on the positioner label.

Fit the conductor into the contact ①; make sure it is visible through the contact's inspection hole.

Slide the conductor-contact assembly into the open crimping tool; make sure that the contact is pushed fully into the positioner. Close the tool. Remove from crimping tool and check that conductor is secure in contact and shows in inspection hole.

2.2 Arrange the conductor-contact assemblies according to the markings, into the rear cable seal.

Push them deeply into the insulator, using tweezers if necessary; check that all the contacts are correctly located in the insulator: 1) by verifying the alignment of the contacts at the front of the insulator and 2) by gently pulling on each conductor.

Verification should also be made using the appropriate retention testing tool.

2.3 Bring the shield around the rear of connector until the mold stop.

Secure it with a band-it tie-wrap (not furnished) to fix the shield in place. Cut off the possible shield surplus.

2.4 Custom overmold cable assembly.

Product safety notice

PLEASE READ AND FOLLOW ALL INSTRUCTIONS CAREFULLY AND CONSULT ALL RELEVANT NATIONAL AND INTERNATIONAL SAFETY REGULATIONS FOR YOUR APPLICATION. IMPROPER HANDLING, CABLE ASSEMBLY, OR WRONG USE OF CONNECTORS CAN RESULT IN HAZARDOUS SITUATIONS.

1. SHOCK AND FIRE HAZARD

Incorrect wiring, the use of damaged components, presence of foreign objects (such as metal debris), and / or residue (such as cleaning fluids), can result in short circuits, overheating, and / or risk of electric shock. Mated components should never be disconnected while live as this may result in an exposed electric arc and local overheating, resulting in possible damage to components.

2. HANDLING

Connectors and their components should be visually inspected for damage prior to installation and assembly. Suspect components should be rejected or returned to the factory for verification. Connector assembly and installation should only be carried out by properly trained personnel. Proper tools must be used during installation and / or assembly in order to obtain safe and reliable performance.


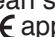
3. USE

Connectors with exposed contacts should never be live (or on the current supply side of a circuit). Under general conditions voltages above 30 VAC and 42 VDC are considered hazardous and proper measures should be taken to eliminate all risk of transmission of such voltages to any exposed metal part of the connector.

4. TEST AND OPERATING VOLTAGES

The maximum admissible operating voltage depends upon the national or international standards in force for the application in question. Air and creepage distances impact the operating voltage; reference values are indicated in the catalog however these may be influenced by PC board design and / or wiring harnesses. The test voltage indicated in the catalog is 75% of the mean breakdown voltage; the test is applied at 500 V/s and the test duration is 1 minute.

5. CE MARKING

CE marking  means that the appliance or equipment bearing it complies with the protection requirements of one or several European safety directives. CE marking  applies to complete products or equipment, **but not to electromechanical components, such as connectors.**

6. PRODUCT IMPROVEMENTS

The LEMO Group reserves the right to modify and improve to our products or specifications without providing prior notification.

7. **WARNING (Prop 65 State of California)**

This product may contain one or more substances or chemicals known to the state of California to cause cancer.

Disclaimers

LEMO works constantly to improve the quality of its products; the information and illustrations figuring in this document may therefore vary and are not binding. In any case, LEMO makes no specific warranty of merchantability, fitness for a particular purpose, third party components as such or included in assembly, non-infringement, title, accuracy, completeness, or security. The user is fully responsible for his products and applications using LEMO component.

In no event shall LEMO, its affiliates, officers, agents or employees be liable for any incidental, indirect, special or consequential damages in connection with the products or services provided by LEMO, including (without limitation) loss of profits or revenues, interruption of business, loss of use of the products or any associated equipment, materials, components or products, damages to associated equipment or in combination with other components, materials.

Reproduction of significant portions of LEMO information in LEMO data books or data sheets is permissible only if reproduction is without alteration and is accompanied by all associated warranties, conditions, limitations, and notices. LEMO is not responsible or liable for such altered documentation. Information of third parties may be subject to additional restrictions.

LEMO HEADQUARTERS

SWITZERLAND

LEMO SA

Chemin des Champs-Courbes 28 - P.O. Box 194 - CH-1024 Ecublens
Tel. (+41 21) 695 16 00 - Fax (+41 21) 695 16 02 - e-mail: info@lemo.com

LEMO SUBSIDIARIES

AUSTRIA

LEMO Elektronik GesmbH

Lemböckgasse 49/E6-3
1230 Wien
Tel: (+43 1) 914 23 20 0
Fax: (+43 1) 914 23 20 11
sales@lemo.at

BRAZIL

LEMO Latin America Ltda

Av. José Rocha Bonfim,
214 Salas 224 / 225
Condomínio Praça Capital
Ed. Chicago
Campinas / SP - Brasil 13080-650
Tel: +55 (11) 98689 4736
info-la@lemo.com

CANADA

LEMO Canada Inc

44 East Beaver Creek Road, unit 20
Richmond Hill, Ontario L4B 1G8
Tel: (+1 905) 889 56 78
Fax: (+1 905) 889 49 70
info-canada@lemo.com

CHINA / HONG KONG

LEMO Electronics (Shanghai) Co., Ltd

First Floor, Block E,
18 Jindian Road, Pudong
Shanghai, China, 201206
Tel: (+86 21) 5899 7721
Fax: (+86 21) 5899 7727
cn.sales@lemo.com

DENMARK

LEMO Denmark A/S

Nybrovej 97
2820 Gentofte
Tel: (+45) 45 20 44 00
Fax: (+45) 45 20 44 01
info-dk@lemo.com

FRANCE

LEMO France Sàrl

24/28 Avenue Graham Bell
Bâtiment Balthus 4
Bussy Saint Georges
77607 Marne la Vallée Cedex 3
Tel: (+33 1) 60 94 60 94
Fax: (+33 1) 60 94 60 90
info-fr@lemo.com

GERMANY

LEMO Elektronik GmbH

Hanns-Schwindt-Str. 6
81829 München
Tel: (+49 89) 42 77 03
Fax: (+49 89) 420 21 92
info@lemo.de

HUNGARY

REDEL Elektronika Kft

Nagysándor József u. 6-12
1201 Budapest
Tel: (+36 1) 421 47 10
Fax: (+36 1) 421 47 57
info-hu@lemo.com

ITALY

LEMO Italia srl

Viale Lunigiana 25
20125 Milano
Tel: (+39 02) 66 71 10 46
Fax: (+39 02) 66 71 10 66
sales.it@lemo.com

JAPAN

LEMO Japan Ltd

2-7-22, Mita,
Minato-ku, Tokyo, 108-0073
Tel: (+81 3) 54 46 55 10
Fax: (+81 3) 54 46 55 11
lemoinfo@lemo.co.jp

MIDDLE EAST

LEMO Middle East Gen. Trad. LLC

Concorde Tower 6th Floor,
Dubai Media City, P.O. Box 126732
Dubai, United Arab Emirates
Tel: +971 55 222 36 77
info-me@lemo.com

NETHERLANDS / BELGIUM

LEMO Connectors Benelux

De Trompet 1060
1967 DA Heemskerk
Tel: (+31) 251 25 78 20
Fax (+31) 251 25 78 21
info@lemo.nl

NORWAY / ICELAND

LEMO Norway A/S

Soerumsandvegen 69,
1920 Soerumsand
Tel: (+47) 22 91 70 40
Fax: (+47) 22 91 70 41
info-no@lemo.com

SINGAPORE

LEMO Asia Pte Ltd

4 Leng Kee Road,
#06-09 SiS Building
Singapore 159088
Tel: (+65) 6476 0672
Fax: (+65) 6474 0672
sg.sales@lemo.com

SPAIN / PORTUGAL

IBERLEMO SAU

Brasil, 45, 08402 Granollers
Barcelona
Tel: (+34 93) 860 44 20
Fax: (+34 93) 879 10 77
info-es@lemo.com

SWEDEN / FINLAND

LEMO Nordic AB

Gunnebogatan 30, Box 8201
163 08 Spånga
Tel: (+46 8) 635 60 60
Fax: (+46 8) 635 60 61
info-se@lemo.com

SWITZERLAND

LEMO Verkauf AG

Grundstrasse 22 B, 6343 Rotkreuz
Tel: (+41 41) 790 49 40
ch.sales@lemo.com

UNITED KINGDOM

LEMO UK Ltd

12-20 North Street, Worthing,
West Sussex, BN11 1DU
Tel: (+44 1903) 23 45 43
lemouk@lemo.com

USA

LEMO USA Inc

P.O. Box 2408
Rohnert Park, CA 94927-2408
Tel: (+1 707) 578 88 11
(+1 800) 444 53 66
Fax: (+1 707) 578 08 69
info-US@lemo.com

LEMO DISTRIBUTORS

ARGENTINA, AUSTRALIA, BRAZIL, CHILE, COLOMBIA, CZECH REPUBLIC,
GREECE, INDIA, ISRAEL, NEW ZEALAND, PERU, POLAND, RUSSIA,
SOUTH AFRICA, SOUTH KOREA, TAIWAN, TURKEY, UKRAINE

www.lemo.com



X-ON Electronics

Largest Supplier of Electrical and Electronic Components

Click to view similar products for [Standard Circular Connector](#) category:

Click to view products by [LEMO](#) manufacturer:

Other Similar products are found below :

[C015](#) [10F006](#) [001](#) [1](#) [5M2530B10P](#) [600259N006](#) [600273N007](#) [600432N009](#) [6280-2PG-519](#) [6280-3PG-311](#) [6280-3SG-311](#) [6280-7SG-3DC](#)
[6280-7SG-522](#) [6282-5PG-311](#) [6282-6PG-519](#) [6282-8SG-311](#) [6283-11](#) [6283-15](#) [6290](#) [6382-2PG-311](#) [6382-2PG-3DC](#) [6382-2SG-321](#) [6382-2SG-3DC](#) [6382-4SG-516](#) [67-03E20-37P](#) [680-SMG](#) [681-PMG](#) [CXS3102A14S2P](#) [CXS3102A181S](#) [CXS3106A14S6S](#) [MB12P-1](#) [MB12R-6](#)
[7251-2PG-300](#) [7251-2SG-300](#) [7251-4PG-300](#) [7251-4SG-300](#) [7251-5PG-300](#) [7251-5SG-300](#) [7251-6SG-300](#) [7251-7PG-300](#) [7251-8PG-300](#)
[7271-6SG-300](#) [7282-3PG-300-CH3](#) [73000005663](#) [75-190216-08S](#) [75-190218-10P](#) [75-474118-10P](#) [75-474618-01S](#) [75-474620-07P](#) [799539-000](#) [MI8-SE](#) [80-190222-18P](#) [805-005-07NF11-19PC](#)