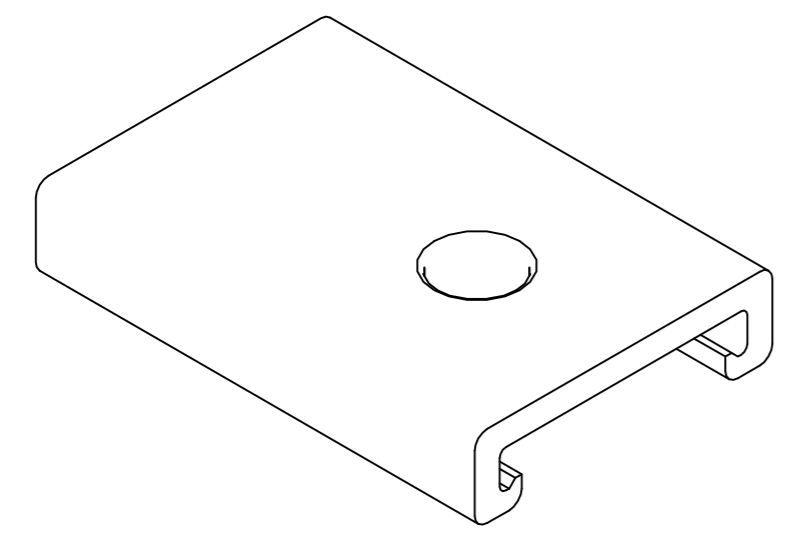
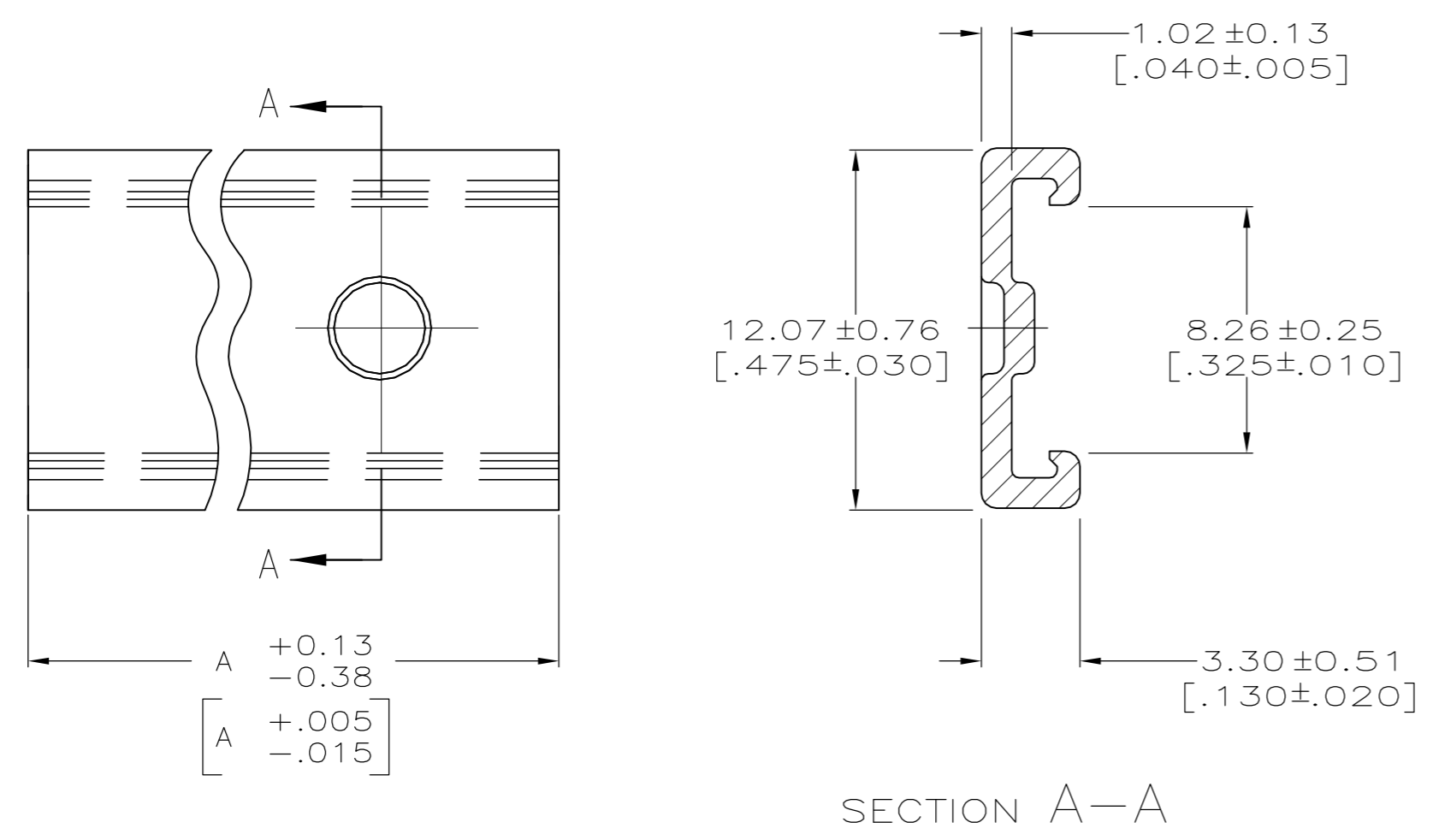


1. DIMENSIONS IN BRACKETS ARE IN INCHES.



3-DIMENSIONAL MODEL NTS

**METRIC**

24	CIRCUIT ASSY	95.10	[3.744]	2-640643-4
23	CIRCUIT ASSY	91.14	[3.588]	2-640643-3
22	CIRCUIT ASSY	87.17	[3.432]	2-640643-2
21	CIRCUIT ASSY	83.21	[3.276]	2-640643-1
20	CIRCUIT ASSY	79.25	[3.120]	2-640643-0
19	CIRCUIT ASSY	75.29	[2.964]	1-640643-9
18	CIRCUIT ASSY	71.32	[2.808]	1-640643-8
17	CIRCUIT ASSY	67.36	[2.652]	1-640643-7
16	CIRCUIT ASSY	63.40	[2.496]	1-640643-6
15	CIRCUIT ASSY	59.44	[2.340]	1-640643-5
14	CIRCUIT ASSY	55.47	[2.184]	1-640643-4
13	CIRCUIT ASSY	51.51	[2.028]	1-640643-3
12	CIRCUIT ASSY	47.55	[1.872]	1-640643-2
11	CIRCUIT ASSY	43.59	[1.716]	1-640643-1
10	CIRCUIT ASSY	39.62	[1.560]	1-640643-0
9	CIRCUIT ASSY	35.66	[1.404]	640643-9
8	CIRCUIT ASSY	31.70	[1.248]	640643-8
7	CIRCUIT ASSY	27.74	[1.092]	640643-7
6	CIRCUIT ASSY	23.77	[.936]	640643-6
5	CIRCUIT ASSY	19.81	[.780]	640643-5
4	CIRCUIT ASSY	15.85	[.624]	640643-4
3	CIRCUIT ASSY	11.89	[.468]	640643-3
2	CIRCUIT ASSY	7.92	[.312]	640643-2
USED ON MTA 156 CONNECTOR ASSEMBLY AS LISTED		A		PART NO

THIS DRAWING IS A CONTROLLED DOCUMENT.		DWN T. BECK 4-9-91	<b>STE</b> TE Connectivity	
DIMENSIONS: MM[INCHES]		CHK R. SWING 4-9-91		
TOLERANCES UNLESS OTHERWISE SPECIFIED:		APVD G. MILLER 4-10-91	NAME COVER, FEEDTHRU, MTA-156	
0 PLC ± -		PRODUCT SPEC	SIZE CAGE CODE DRAWING NO RESTRICTED TO	
1 PLC ± -		APPLICATION SPEC	A2 00779 G-640643	
2 PLC ± -		WEIGHT	CUSTOMER DRAWING SCALE 5:1 SHEET 1 OF 1 REV R1	
3 PLC ± -				
4 PLC ± -				
ANGLES ± ± -				
FINISH				
MATERIAL POLYESTER, UL 94V-0 NATURAL				

## X-ON Electronics

Largest Supplier of Electrical and Electronic Components

*Click to view similar products for [Headers & Wire Housings](#) category:*

*Click to view products by [TE Connectivity](#) manufacturer:*

Other Similar products are found below :

[95000-104TRLF](#) [10135584-644402LF](#) [DF62W-EP2022PCA](#) [95000-106TRLF](#) [DF62W-2022SCA](#) [DF62W-EP2022PC](#) [2203348](#) [DF62W-2022SC](#) [1084018](#) [1029039](#) [1084017](#) [802-10-012-10-002000](#) [1112640](#) [1112639](#) [000-34000](#) [0009482033](#) [0009507031](#) [57102-S06-03LF](#) [57202-S52-04LF](#) [PCN6-15S-2.5E](#) [0039019024](#) [58102-G61-06LF](#) [582553-1](#) [0009485154](#) [0009508121](#) [0022285053](#) [0050291907](#) [018731A](#) [LY20-4P-DT1-P1E-BR](#) [02.125.8002.8](#) [60101931](#) [60598-1 \(Cut Strip\)](#) [M1625-3R/100](#) [61062-3](#) [61082-181009](#) [636-1427](#) [638009-1](#) [641938-9](#) [641991-4](#) [644168-1](#) [647662-1](#) [65039-019ELF](#) [65817-002LF](#) [65817-015LF](#) [65863-015LF](#) [66207-023LF](#) [67016-026LF](#) [67046-001LF](#) [67095-007LF](#) [67230-005LF](#)