

PRODUCT NUMBER
75844-YXX-XXLF

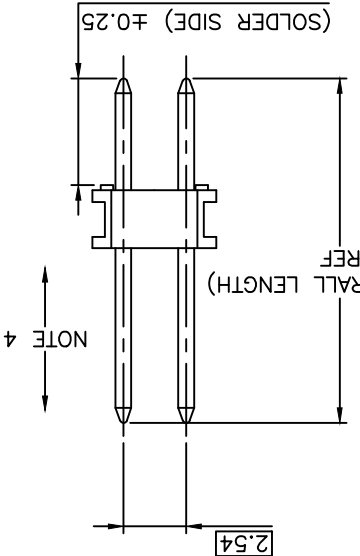
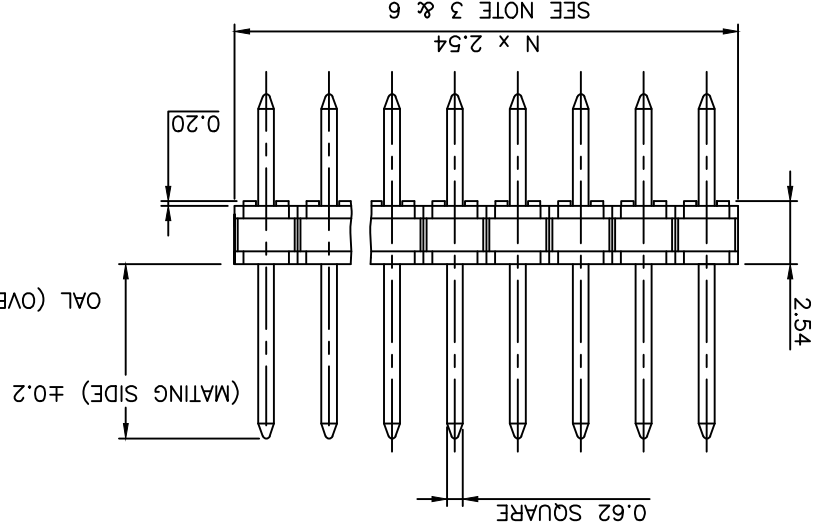
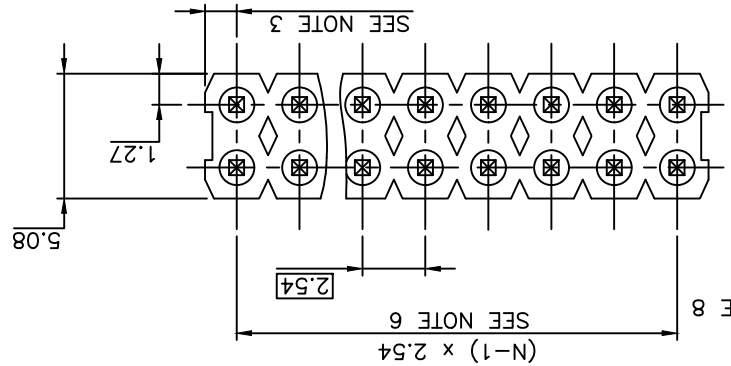
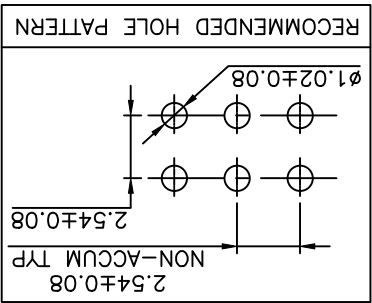
ROHS COMPLIANT & COMPATIBLE, SEE NOTE 8
TOTAL NB OF POSITIONS 04 TO 72
PIN STYLE SEE SHEET 2
PLATING:

- 1 = 0.76µm FULL GOLD/GXT
- 3 = 2µm MIN MATTE TIN FULL PLATED
- 6 = 0.76µm FULL GXT (PANI), WITH GOLD FLASH
- 8 = 0.58µm FULL GOLD/GXT
- 1.27µm MIN NICKEL UNDERPLATING

NOTES:
1. HOUSING MAT'L : HIGH TEMPERATURE THERMOPLASTIC
FLAME RETARDANT PER UL94-V0, COLOR BLACK.
2. PIN MATERIAL : PHOSPHOR BRONZE.
3. DIM 1.27-0.13 FOR MOULDED SIDE(S)
ONLY, IF SIDE(S) ARE BROKEN, DIM 1.02
TO 1.7 MAX APPLIES.
4. PIN PUSH OUT FORCE : 12N MIN.
5. PRODUCT PACKAGED IN POLY BAGS.

- 6. TO DETERMINE DIMENSIONS :
EXAMPLE : 8 POS N x 2.54 = 20.32mm
- 7. FOR STANDARD SELECTIVE GOLD PLATED
PRODUCTS, SEE DRAWING 77313.
- 8. ROHS COMPATIBLE PRODUCT SPECIFICATIONS

- a - "LF" MEANS THE PRODUCT IS LEAD-FREE
- b - MANUFACTURING PROCESS COMPATIBILITY
- THE HOUSING WILL WITHSTAND EXPOSURE TO
260°C ±5°C SOLDER BATH TEMPERATURE FOR
5 SECONDS IN A WAVE SOLDER APPLICATION
WITH A 1.6mm MIN THICK CIRCUIT BOARD.
- c - LABELING:
- MEETS PACKAGING SPECS AS PER GS-14-920
d - LEGAL STATEMENT: SEE GS-47-0004



mat'l. code	SEE P/N	ISO 1302	surface tolerance	ISO 1302	ISO 406 ISO 1001	projection	product family	BERGSTIK
ltf ecn no	dr date	dr date	tolerances unless otherwise specified	linear	xx ±0.3	mm	title	HEADER STR
BS-B-19264	LMU	14.11.03	angles	linear	xx ±0.3	mm	scale	5:1
BS-F07-0103	LMU	07.01.05	dr	xx ±0.05	xx ±0.05	mm	scale	5:1
BT-F08-0148	JCO	08.05.27	COMPAGNON	95.07.10	95.07.10	mm	scale	5:1
BU-F10-0210	LMU	10.09.14	engr	JMC	95.07.10	mm	scale	5:1
BV-F11-0059	LMU	11.05.12	thr	JMC	95.07.10	mm	scale	5:1
BW-B-17320	JCO	14.03.27	ppd	JMC	95.07.10	mm	scale	5:1
sheet index	revision	BX BH	BH	BH	BH	BH	type	CUSTOMER
1	2	3	4	5	6	7	8	9

dwg no	75844	sheet 1 of 3	size	A3
type	CUSTOMER	type	DOUBLE ROW	DOUBLE ROW
product family	BERGSTIK	title	HEADER STR	DOUBLE ROW

APPLICATION SPECIFIC			
PIN	STYLE	MATING	SOLDER
01	5.72	2.54	10.8
02	5.84	3.43	11.81
03	5.72	5.08	13.34
04	5.72	7.62	15.88
05	5.72	10.16	18.42
06	5.72	12.7	20.96
07	5.72	15.24	23.5
08	5.72	17.78	26.04
09	5.72	20.32	28.58
10	5.72	22.86	31.12
11	5.72	5.97	14.22
12	5.72	8.51	16.76
13	5.72	11.05	19.3
14	5.72	16.13	24.38
15	8.51	2.54	13.59
16	8.51	5.51	16.56
17	8.51	10.59	21.64
18	5.72	3.05	11.3
19	12.83	3.05	18.42
20	15.37	3.05	20.96

APPLICATION SPECIFIC			
PIN	STYLE	MATING	SOLDER
21	20.45	3.05	26.04
22	7.75	3.05	13.34
24	7.21	3.05	12.8
25	8.51	3.18	14.22
26	15.57	2.84	20.96
27	6.6	2.67	11.81
28	6.6	4.19	13.34
29	17.53	3.43	23.5
30	22.61	3.43	28.58
31	8.2	2.84	13.59
32	2.41	3.05	8
33	1.6	29.38	33.52
34	12.21	2.9	17.65
35	25.21	3.37	31.12
36	11.5	12	26.04
38	0.98	33.52	33.52
39	1.6	31.58	35.72
40	10.29	3.05	15.88
41	9.1	3.34	14.98
42	13.25	3.3	19.09

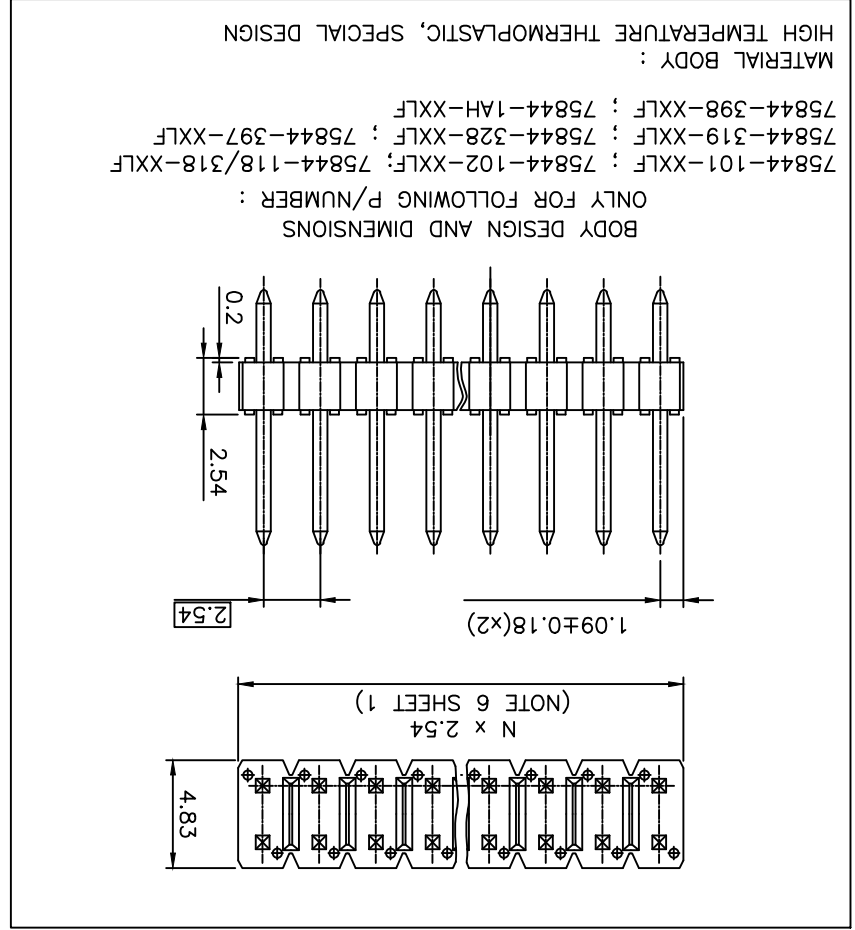
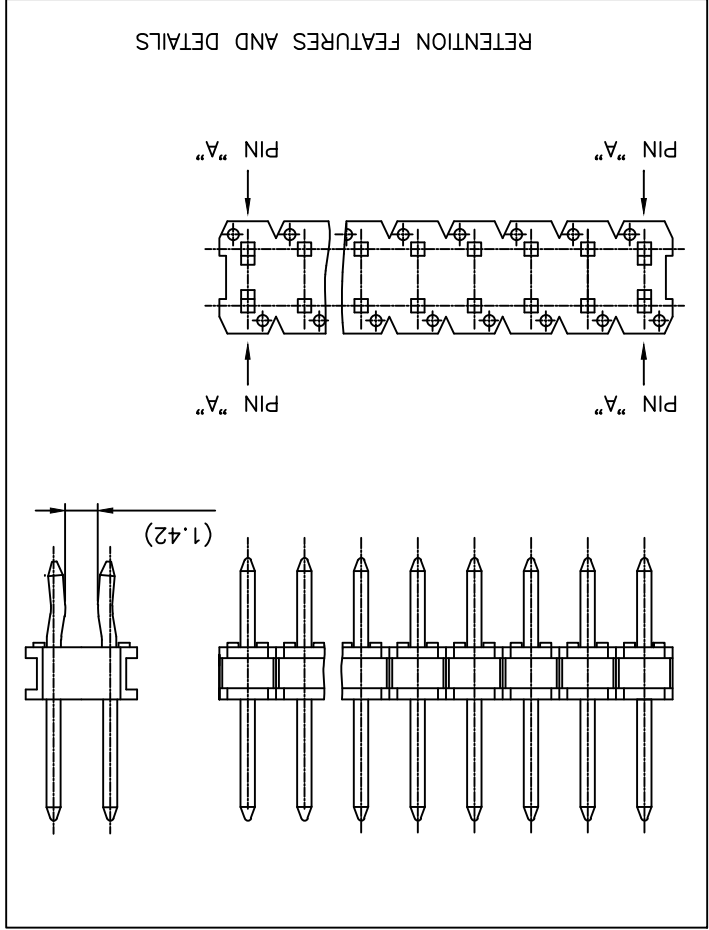
APPLICATION SPECIFIC			
PIN	STYLE	MATING	SOLDER
43	13.02	13.02	28.58
48	5.84	2.42	10.8
49	1.5	27.08	31.12
50	5.84	3.12	11.5
52	9.5	3.05	15.09
56	5.72	3.05	11.3
58	14.47	3.05	20.06
70	6.54	3.5	12.57
79	3.3	3.3	9.14
82	19.27	4.23	26.04
92	17.45	3	23
94	4.79	3	10.33
95	27.58	1	31.12
98	13.28	2.6	18.42
AA	5.84	3.43	11.81
AB	12.83	3.05	18.42
AC	6.60	4.19	13.34
AD	13.28	2.60	18.42
AE	5.84	1.95	10.33
AF	24.46	3.00	29.98
AG	6.00	6.00	14.47
AH	4.80	4.80	12.10

mat'l. code	ISO 1302	ISO 406	ISO 1001	projection	product family	BERGSTIK
litr ecn no	dr	date	tolerances unless otherwise specified			
BG	F10-0210	LMU	10.09.17	angles		
BH	F11-0050	LMU	11.05.12	linear		
BC	F20301	LMU	02.04.22	scale 1:1		
BD	F05-0180	LMU	05.05.24	engr	JMC	95.07.10
BE	F06-0160	LMU	06.04.21	chr	JMC	95.07.10
BF	F06-0190	LMU	06.06.20	appd	JMC	95.07.10
sheet revision	sheet	index				

dwg no	75844	sheet 2 of -	size	A3
type	CUSTOMER	DRAWING		
DOUBLE ROW HEADER STR				

- NOTES:
- 1 - PART NUMBER 75844-XXXXXXLF
 - 2 - PINS "A" AND "B" USED FOR RETENTION.
 - 3 - DIRECTION OF RETENTION SHOWN BY ARROWS.
 - 4 - RETENTION VERSION ONLY AVAILABLE WHEN DIM"B" IS 2.9mm UP TO 3.5mm..

"R" INDICATES A RETENTION HEADER.



mat'l. code	ISO 1302	surface tolerance	ISO 406 ISO 101	projection	product family	BERGSTIK	
litr ecn no	dr	date	tolerances unless otherwise specified	title	HEADER STR DOUBLE ROW		
BG F11-0058	LMU	11.05.12	x #0.3	mm	scale 1:1		
BH B-19264	LMU	14.11.03	angles	linear	xxx #0.05		
BC F20607	LMU	03.12.03	dr	COMPAGNON	J 95.07.10		
BD F03079	LMU	03.04.04	engr	JMC	95.07.10		
BE F05-0186	LMU	05.05.24	chr				
BF F06-0196	LMU	06.06.20	appd	JMC	95.07.10		
sheet revision							
index sheet							
type							CUSTOMER
dmg no							75844
sheet 3 of - size							A3

X-ON Electronics

Largest Supplier of Electrical and Electronic Components

Click to view similar products for [Headers & Wire Housings](#) category:

Click to view products by [Amphenol](#) manufacturer:

Other Similar products are found below :

[95000-104TRLF](#) [10135584-644402LF](#) [DF62W-EP2022PCA](#) [95000-106TRLF](#) [DF62W-2022SCA](#) [DF62W-EP2022PC](#) [2203348](#) [DF62W-2022SC](#) [1084018](#) [1029039](#) [1084017](#) [802-10-012-10-002000](#) [1112640](#) [1112639](#) [000-34000](#) [0009482033](#) [0009507031](#) [57102-S06-03LF](#) [57202-S52-04LF](#) [PCN6-15S-2.5E](#) [0039019024](#) [58102-G61-06LF](#) [582553-1](#) [0009485154](#) [0009508121](#) [0022285053](#) [0050291907](#) [018731A](#) [LY20-4P-DT1-P1E-BR](#) [02.125.8002.8](#) [60101931](#) [60598-1 \(Cut Strip\)](#) [M1625-3R/100](#) [61062-3](#) [61082-181009](#) [636-1427](#) [638009-1](#) [641938-9](#) [641991-4](#) [644168-1](#) [647662-1](#) [65039-019ELF](#) [65817-002LF](#) [65817-015LF](#) [65863-015LF](#) [66207-023LF](#) [67016-026LF](#) [67046-001LF](#) [67095-007LF](#) [67230-005LF](#)