



THIS PRODUCT MEETS EUROPEAN UNION DIRECTIVES AND OTHER COUNTRY REGULATIONS DESCRIBED IN GS-22-008

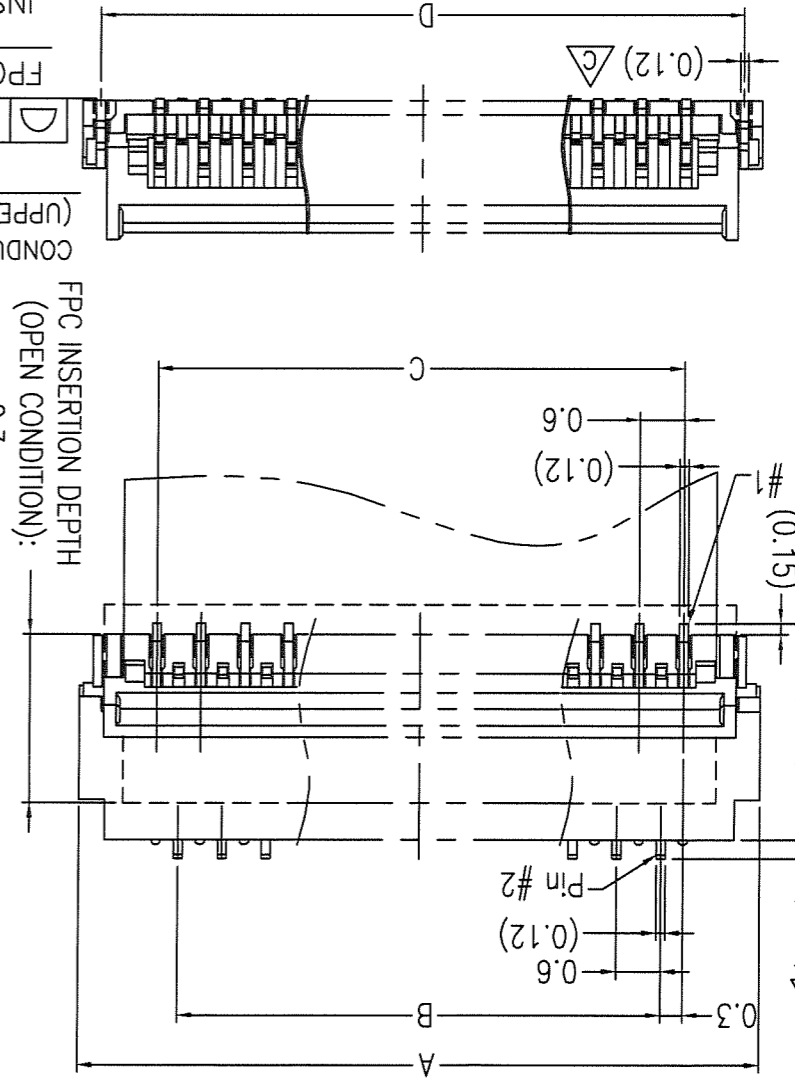
1)\* MARK ITEM IS REFERENCE.  
 2)RECOMMENDED PCB LAYOUT and FPC ARE THE SAME AS 10061122-\*\*-\*\*1110ELF(YLL-DOWN CONTACT TYPE).  
 7.OTHER

- 6.PRODUCT
- 1)ADHESIVE METHOD OF SUPPORTING ADHESIVE MATERIAL SHALL BE HEAT CRIMPING METHOD AND THERMOSETTING ADHESIVE MATERIAL SHALL BE USED.
- 5.FPC
- 4.THICKNESS OF A METAL MASK: 0.1mm
- 3.CO-PLANARITY: 0.1 MAX.
- 2)FIXING TAB: ALL OVER NI,(CONTACT AREA) Au FLASH,(SOLDER TAIL AREA) Au FLASH.
- 1)CONTACT: ALL OVER NI,(CONTACT AREA) Au FLASH,(SOLDER TAIL AREA) Au FLASH.
- 2.FINISH
- 4)FIXING TAB: COPPER ALLOY
- 3)CONTACT: COPPER ALLOY
- 2)ACTUATOR: THERMOPLASTIC RESIN, UL94V-0, BEIGE
- 1)HOUSING: THERMOPLASTIC RESIN, UL94V-0, BLACK

Copyright FCI

FCI  
 FCIconnect.com

PRODUCT NO.  
 10064555-\*\*-21\*\*LF



THIS PRODUCT MEETS EUROPEAN UNION DIRECTIVES AND OTHER COUNTRY REGULATIONS DESCRIBED IN GS-22-008

7. OTHER  
1) RECOMMENDED PCB LAYOUT and FPC ARE THE SAME AS 10061122-\*\*-1110ELF(YLL-DOWN CONTACT TYPE).

6. PRODUCT  
1) ADHESIVE METHOD OF SUPPORTING TAPE SHALL BE HEAT CRIMPING METHOD AND THERMOSETTING ADHESIVE MATERIAL SHALL BE USED.

5. FPC  
4) THICKNESS OF A METAL MASK: 0.1mm

3. CO-PLANARITY: 0.1 MAX.

2) FIXING TAB: ALL OVER Ni, Sn PLATING 1.5~3.5um

1) CONTACT: ALL OVER Ni, (CONTACT AREA) Au FLASH, (SOLDER TAIL AREA) Au FLASH.

2) FINISH

4) FIXING TAB: COPPER ALLOY

3) CONTACT: COPPER ALLOY

2) ACTUATOR: THERMOPLASTIC RESIN, UL94V-0, BEIGE

1) HOUSING: THERMOPLASTIC RESIN, UL94V-0, BLACK

NOTE

1. MATERIAL

2. FINISH

3. CONTACT: COPPER ALLOY

4. FIXING TAB: COPPER ALLOY

5. FPC

6. PRODUCT

7. OTHER

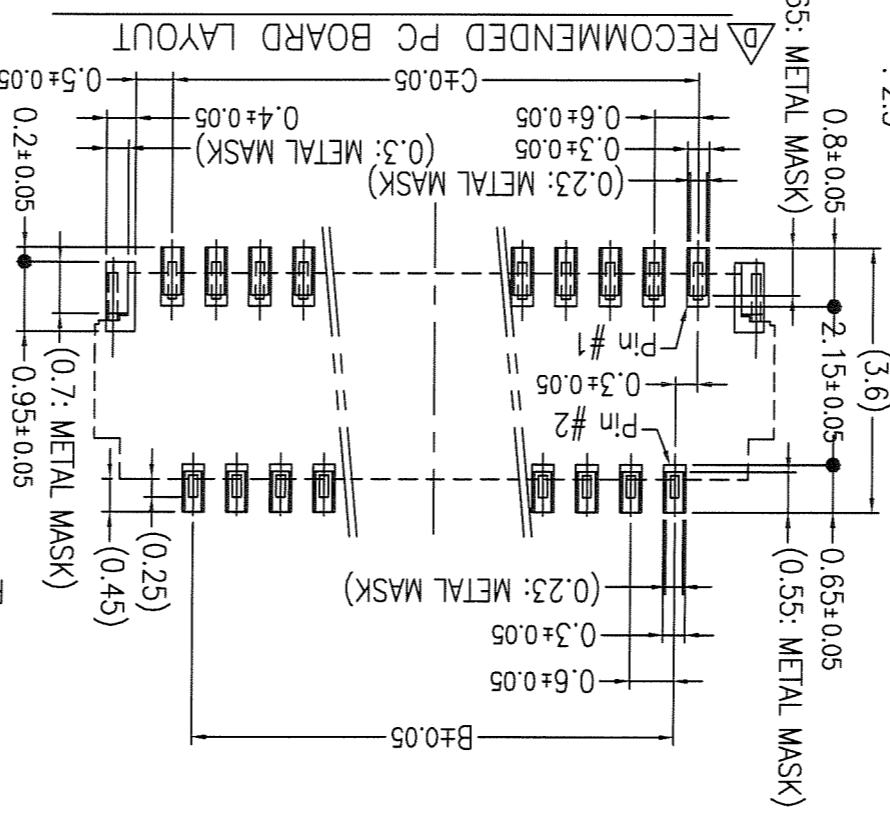
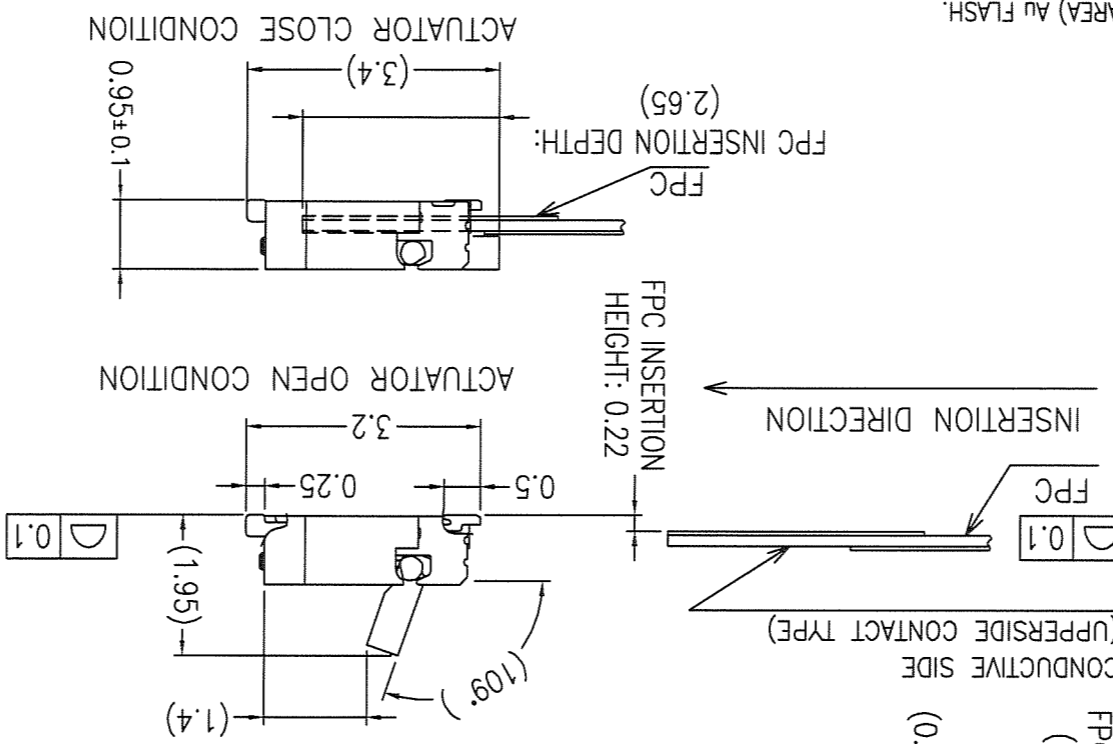
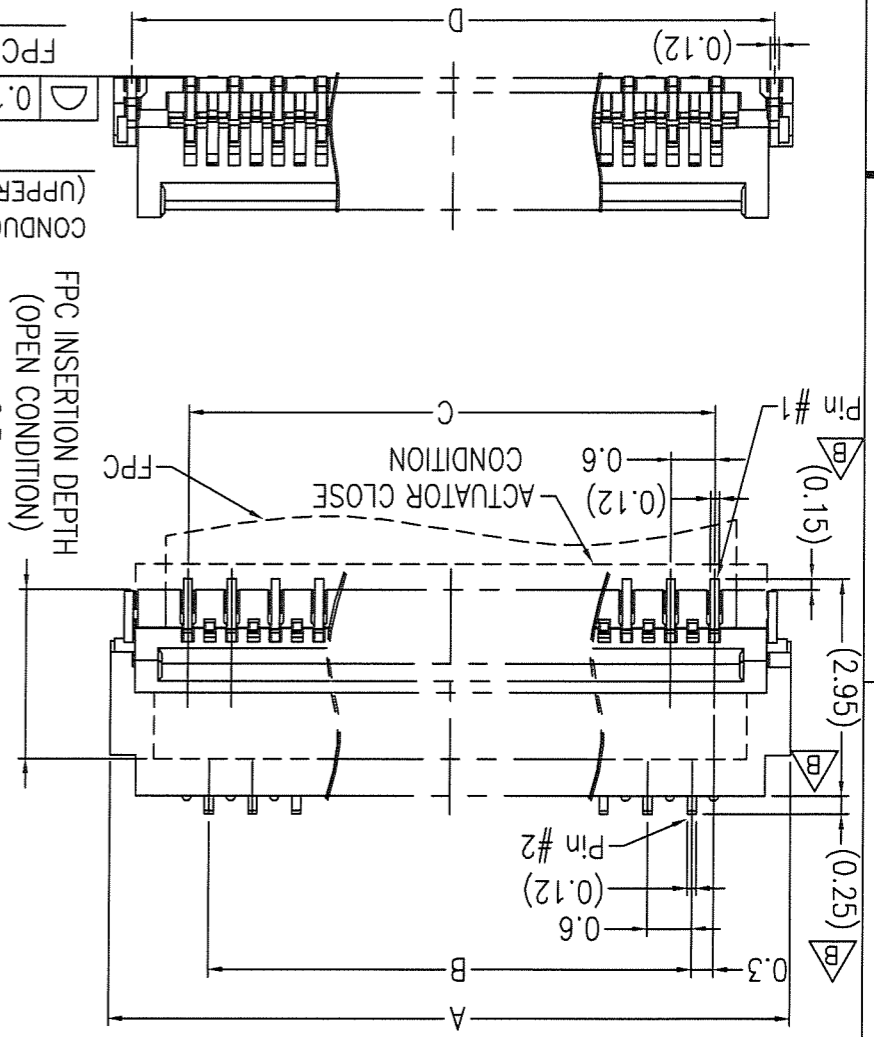
8. THIS PRODUCT MEETS EUROPEAN UNION DIRECTIVES AND OTHER COUNTRY REGULATIONS DESCRIBED IN GS-22-008

Copyright FCI

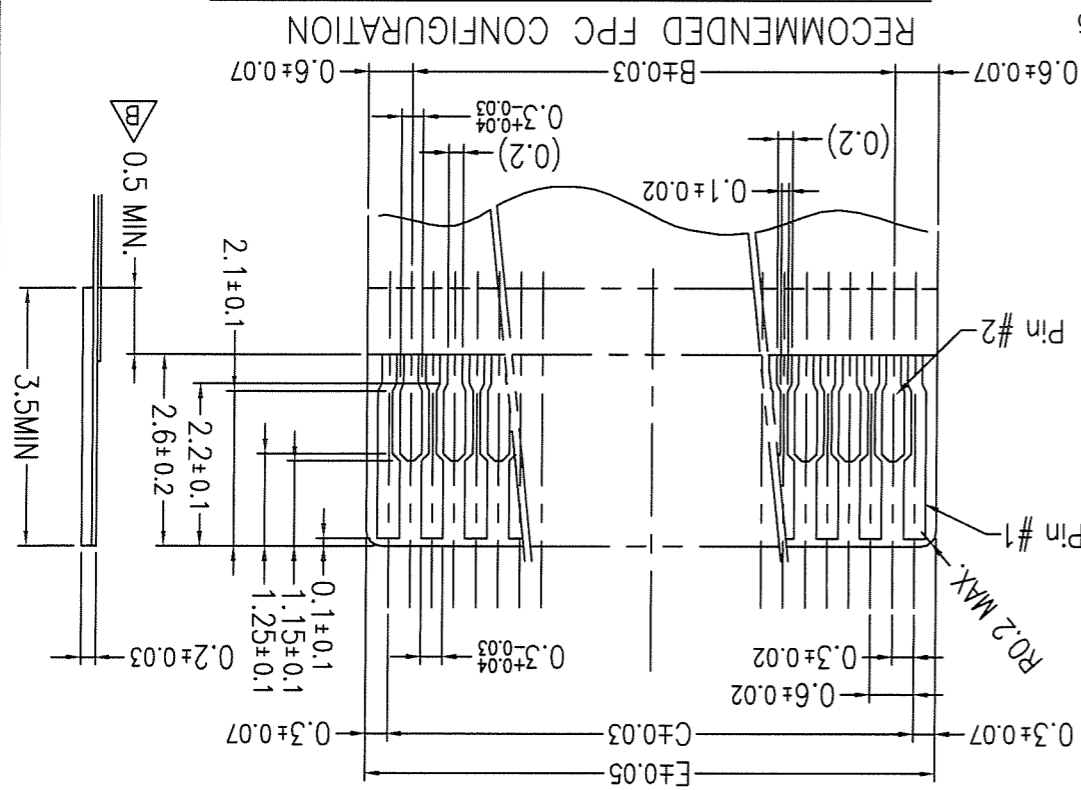
FCIconnect.com



PRODUCT NO. 10064555-\*\*-22\*LF



P/N	A	B	C	D	E
10064555-41221LF	14.1	11.4	12.0	13.6	12.6
10064555-39221LF	13.5	10.8	11.4	13.0	12.0
10064555-37221LF	12.9	10.2	10.8	12.4	11.4
10064555-33221LF	11.7	9	9.6	11.2	10.2
10064555-31221LF	11.1	8.4	9	10.6	9.6
10064555-27221LF	9.9	7.2	7.8	9.4	8.4
10064555-25221LF	9.3	6.6	7.2	8.8	7.8
10064555-23221LF	8.7	6	6.6	8.2	7.2
10064555-21221LF	8.1	5.4	6.0	7.6	6.6
10064555-15222HLF	8.1	5.4	6.0	7.6	6.6



ltr	description	ecn no	dr	date	tolerance unless otherwise specified	projection	product family	CODE
A	RELEASED	Y.K	2007-9-21	2007-9-21	0.X	MM	589F FLEX 0.3	JP
B	REVISED	Y.K	2008-2-12	2008-2-12	0.XX	MM	589F FLEX 0.3	JP
C	ONLY REV. UP	Y.K			0.XXX	MM	589F FLEX 0.3	JP
D	REVISED	Y.K	2008-10-29	2008-10-29	0.XXX	MM	589F FLEX 0.3	JP
E	ADD NEW P/N	Y.K	2011-03-16	2011-03-16	0.XXX	MM	589F FLEX 0.3	JP

sheet	revision	index
1		
2		
3		
4		
5		
6		

## X-ON Electronics

Largest Supplier of Electrical and Electronic Components

*Click to view similar products for [FFC & FPC Connectors](#) category:*

*Click to view products by [Amphenol](#) manufacturer:*

Other Similar products are found below :

[HFW11R-1STE1H1LF](#) [FH29B-100S-0.2SHW\(99\)](#) [FA5S008HP1](#) [FH29B-120S-0.2SHW\(99\)](#) [FH29B-80S-0.2SHW\(99\)](#) [FHS-16](#) [FPH-2022G](#)  
[52610-1075](#) [52610-1275](#) [52610-1934](#) [XF3M\(1\)-1415-1B-R100](#) [501864-3091-TR225](#) [0525594033](#) [086210010340800](#) [086222026001800](#)  
[52271-2869-CUT-TAPE](#) [62674-201121DLF](#) [62684-36210E9ALF](#) [52610-1675](#) [52746-1671-TR250](#) [10051922-2810EHLF](#) [6-520415-9](#)  
[BD021-09A-A1-0350-0200-0550-LD](#) [SFV6R-1STE9HLF](#) [XF3M-2915-1B-R100](#) [1658549-1](#) [62674-221121ALF](#) [46214008010800](#)  
[046298003000883](#) [151660622](#) [842-816-2630-035](#) [AYF530665TA](#) [AYF351525](#) [046296011930846+](#) [AYF352325A](#) [046254020000800+](#)  
[FH19C-13S-0.5SH\(99\)](#) [FH39J-51S-0.3SHW\(99\)](#) [AYF355125A](#) [AYF530365TA](#) [FH29B-44S-0.2SHW\(99\)](#) [SFW5R-2STAE9LF](#) [AYF351125A](#)  
[AYF350725A](#) [62684-502100AHLF](#) [FH39-61S-0.3SHW\(99\)](#) [AYF414035A](#) [10064555-172520HLF](#) [AYF212335A](#) [504754-2500](#)