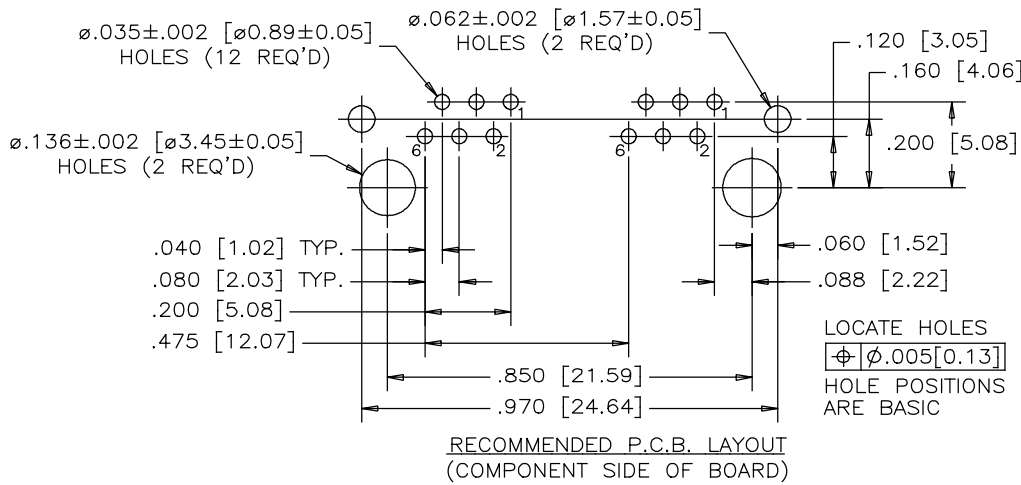
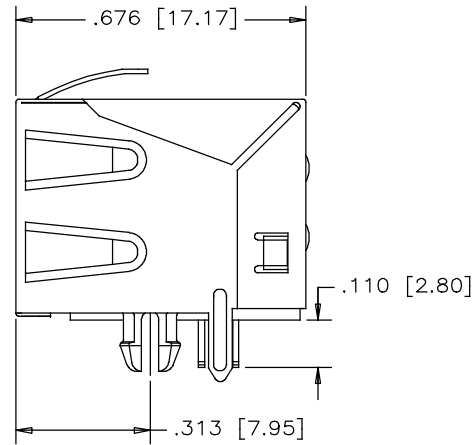
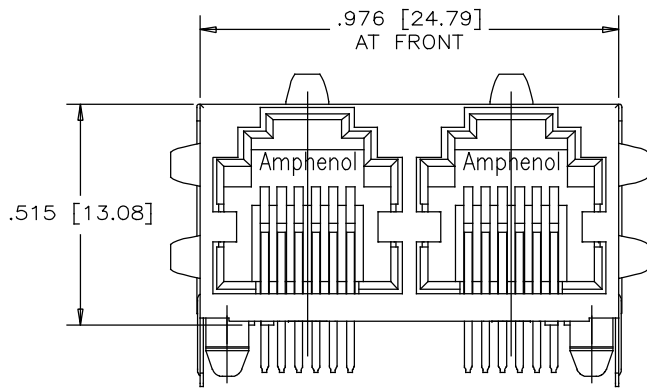


REVISIONS			
REV	DESCRIPTION, ECN, EAR NO.	DATE	APP'D
A	PROPOSAL DRAWING	OCT08/14	L.CHAN
B	PROPOSAL DRAWING	FEB04/16	L.CHAN
C	PROPOSAL DRAWING	APR05/16	L.CHAN



**MATERIALS:**

PLASTIC HOUSING: HIGH TEMPERATURE RESISTANT NYLON  
UL FLAMMABILITY RATING 94V-0.  
SOLDER REFLOW PROCESS COMPATIBLE.

CONTACTS: PHOSPHOR BRONZE

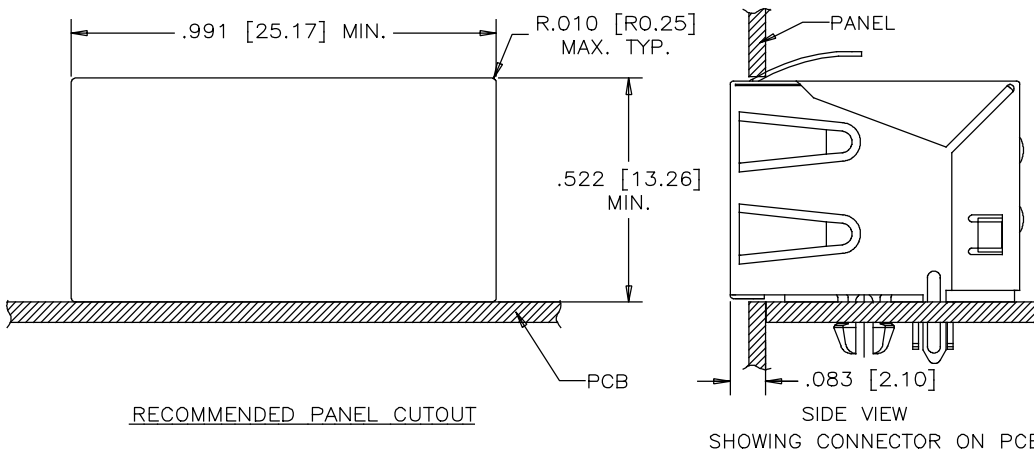
CONTACT PLATING: GOLD PLATED ON MATING SURFACES.  
(SEE PART NO. FOR THICKNESS).  
50 MICROINCHES [1.27 MICRONS] MIN.  
NICKEL UNDERPLATE  
100 MICROINCHES [2.54 MICRONS] MIN.  
MATTE TIN ON CONTACT TAILS.

SHIELD: COPPER ALLOY; NICKEL PLATED WITH TIN DIPPED  
PCB TAILS.

RECOMMENDED SOLDERING TEMPERATURE:  
WAVE SOLDERING OR REFLOW SOLDERING AT 260°C  
MAXIMUM FOR 5 SEC MAXIMUM.

AMPHENOL PART NUMBER: RJE01-X62-02

GOLD PLATING:  
1= RJ45 CONTACT 6u"  
G= RJ45 CONTACT 15u"  
J= RJ45 CONTACT 30u"  
6= RJ45 CONTACT 50u"



UNLESS SPECIFIED OTHERWISE	DRAWN	F.WANG	OCT08/14
PRIMARY UNITS INCHES	CHECKED	L.Chan	OCT08/14
SECONDARY MILLIMETERS	M.E. APP'D		
REFERENCE IN PARENTHESES	Q.A. APP'D		
GENERAL TOLERANCES FOR MM	DWG APP'D		
1 DECIMAL PLACE ±0.025	ENG. REL. NO.		
2 DECIMAL PLACE ±0.020	REF.		
3 DECIMAL PLACE ±0.015	THIRD ANGLE PROJECTION		
ANGULAR DEGREES ±1.5°	DO NOT SCALE DRAWING		

Amphenol Canada Corp. www.amphenolcanada.com			
HIGH SPEED MODULAR JACK, 2 PORT, 6 POSITION, 6 CONTACTS, SHIELD WITH PCB TAILS—RoHS COMPLIANT			
DWG NO.	P-RJE01-X62-02		REV C
CODE ID NO. 03554	DWG SIZE: C	SCALE: N/A	SHEET 1 OF 1

## X-ON Electronics

Largest Supplier of Electrical and Electronic Components

*Click to view similar products for [Modular Connectors](#) / [Ethernet Connectors](#) category:*

*Click to view products by [Amphenol](#) manufacturer:*

Other Similar products are found below :

[RJE231881317T](#) [MP1010RX-1000](#) [MP44RX-1000](#) [GAX-3-66](#) [GAX-8-62](#) [93606-0253](#) [GD-A-44](#) [GDCX-PA-66-50](#) [GDCX-PN-64](#) [GDCX-PN-66](#) [GDCX-PN-66-50](#) [GDLX-A-66](#) [GDLX-A-88](#) [GDLX-N-66](#) [GDLX-S-88K](#) [GDTX-S-88-50](#) [GDX-PA-1010](#) [GLX-N-1010M-BLK](#) [GLX-N-44M](#) [GLX-S-88M-BLK](#) [GMX-N-1010](#) [GMX-S-1010](#) [GMX-S-66](#) [GMX-SMT2-N-1010](#) [GMX-SMT2-N-64-50](#) [GMX-SMT2-S6-88](#) [GMX-SMT4-N-88](#) [GPX-2-64](#) [GRT1-BT1-5](#) [GSGX-N-2-88](#) [GSX-NS2-88-3.05](#) [GSX-NS2-88-3.05-50](#) [GSX-NS-88-3.05-30](#) [GSX-NS-88-3.05-50](#) [GSX-NS-88-3.68](#) [1-1775629-2](#) [GWLX-S-88-GR](#) [GWLX-S9-88-YG](#) [1300500326](#) [1300500227](#) [1300530003](#) [1300570002](#) [1324640-4](#) [RJ11FTVC2G](#) [RJ11FTVC2N](#) [RJFTVX2SA1G](#) [132764-001](#) [1400000](#) [1413235](#) [MP88X-1000](#)