

THIS IS ISSUED IN STRICT CONFIDENCE THAT IT IS NOT USED AS A BASIS FOR MANUFACTURE OR SALE AND THAT IT IS NOT COPIED, REPRINTED OR DISCLOSED TO A THIRD PARTY EITHER WHOLLY OR IN PART WITHOUT THE PRIOR WRITTEN CONSENT OF CAL TEST ELECTRONICS, INC.

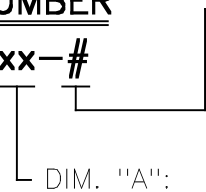
- 4 mm SAFETY JACK, REAR MOUNT, HORIZONTAL & VERTICAL PCB.
- SPECIFICATIONS:
INSULATOR: SOLVAY ENGINEERING PLASTICS, POLYAMIDE 66, A205F, V-2 OR BETTER, UL QMFZ2.
CONTACT: BRASS, NICKEL PLATED, 1-3 micrometers.
- RATING:
VOLTAGE: 1,000 V CAT III P2.
CURRENT: 25 A MAX.
RESISTANCE: <5 mΩ.
TEMPERATURE: -20° C TO +80°C.
- MOUNTING: REF. DIAGRAM.
- MAXIMUM PANEL THICKNESS: 3 (.12).
- MODEL CT3151XX-#, UL RECOGNIZED COMPONENT, CCN: PICQ2, PICQ8
FILE NUMBER: E315929.



- MODELS ARE RoHS 2 COMPLIANT.
- STANDARDS: UL 61010-1; CAN/CSA-C22.2 NO. 61010-1.

PART NUMBER

CT3151xx-#



'blank'- 12.5 mm (.492") HORZ
SP - 7.6 mm (.300") HORZ
V1 - 19.0 mm (.750") VERT

- COLOR:
- 0 - BLACK
 - 1 - BROWN
 - 2 - RED
 - 4 - YELLOW
 - 5 - GREEN
 - 6 - BLUE
 - 7 - PURPLE
 - 8 - GRAY
 - 9 - WHITE

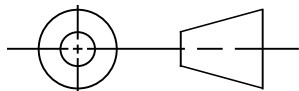
REVISIONS

| REV. | DESCRIPTIONS | DATE | APPROVED |
|------|--|----------|----------|
| — | CLASS A RELEASED | 10/13/03 | |
| A | Added Dim. "A" and table. | 6/20/06 | |
| B | Note 2., Added Alt. Matl. 2; Note 3., was IEC61010-031; Added notes 6 & 7. | 12/20/07 | |
| C | Note 2., Deleted Alt. 1 & 2 (PP); Note 3., was UL61010B-1; Deleted Note 6. | 1/25/08 | |
| D | Added Sheet 2 w/line drawing; Note 2., Revised insulator material was A221. | 6/27/08 | |
| E | P1, added UL notation, Note 6; P2 added concentricity notation to diagram. | 5/22/09 | |
| F | P1, Updated UL information; added note 8. | 5/28/12 | |
| G | P1, note 2, added SOLVAY/ to mfg'er name. | 2/21/17 | |
| H | Updated drawing to METRIC dimensioning; Added Sheet 3, Vertical Jack; Revised sheet 1 notes and part number table; Sheet 2, Dim. 4.8 (.19) was 6.4 (.25) | 8/9/17 | |

METRIC

UNLESS OTHERWISE SPECIFIED DIMENSIONS ARE IN MILLIMETERS
TOLERANCES ARE:
DECIMALS ANGLE
.X ± 0.8 ± 2°
.XX ± 0.25
DO NOT SCALE DRAWING

THIRD ANGLE PROJECTION



CONTRACT NO.

APPROVALS

DATE

DRAWN WDH

10/13/03

CHECKED

ENGR.

DESIGN ACTIVITY

Cal Test Electronics

22820 Savi Ranch Parkway
Yorba Linda, CA 92887-4610

TITLE

**4 mm SAFETY JACK,
HORIZONTAL & VERTICAL PCB MOUNT**

SIZE
A

CAGE CODE
43F45

DWG. NO.
P315100

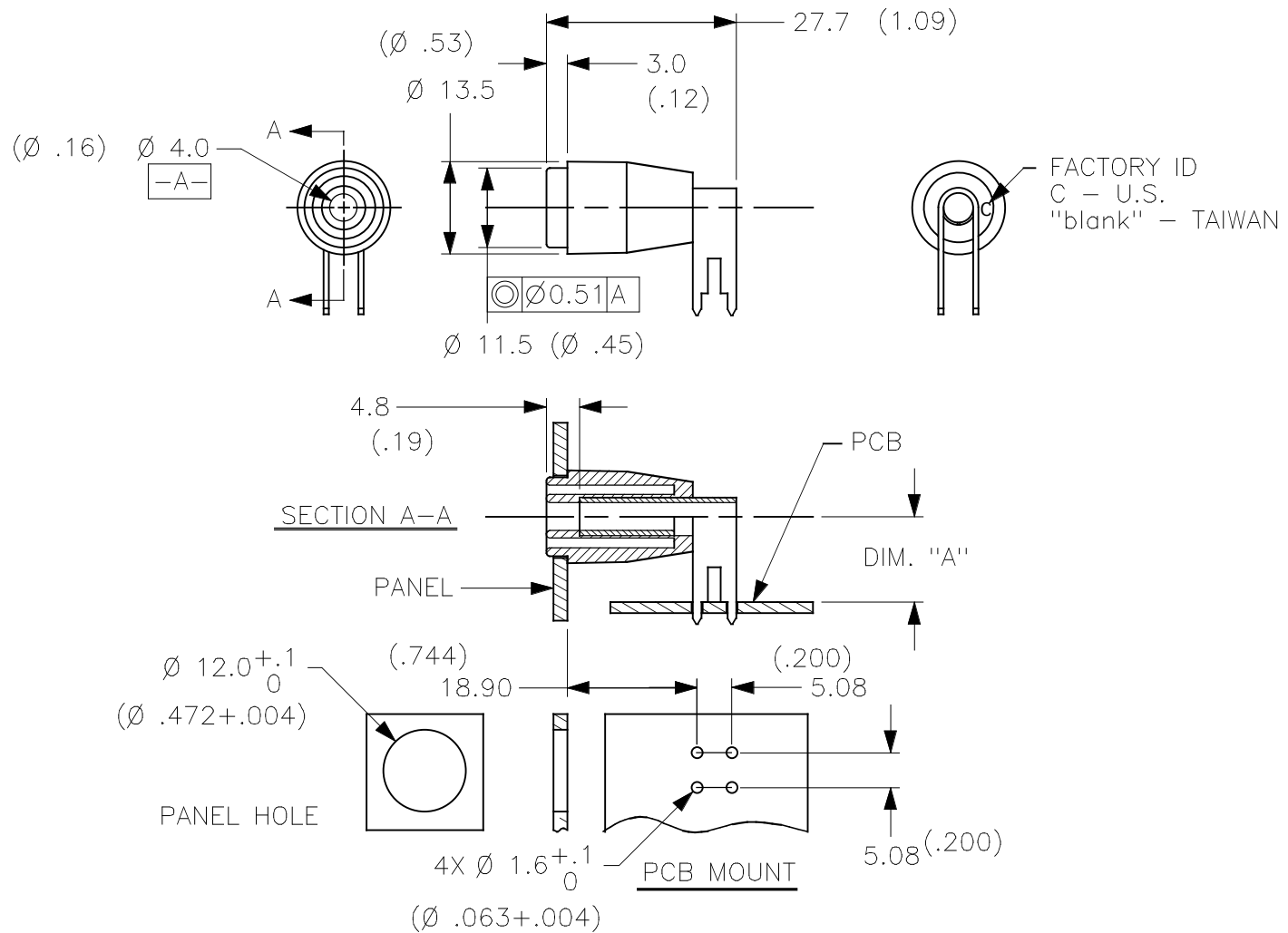
REV.
H

SCALE 1:1

P315100rH_drawing.pdf

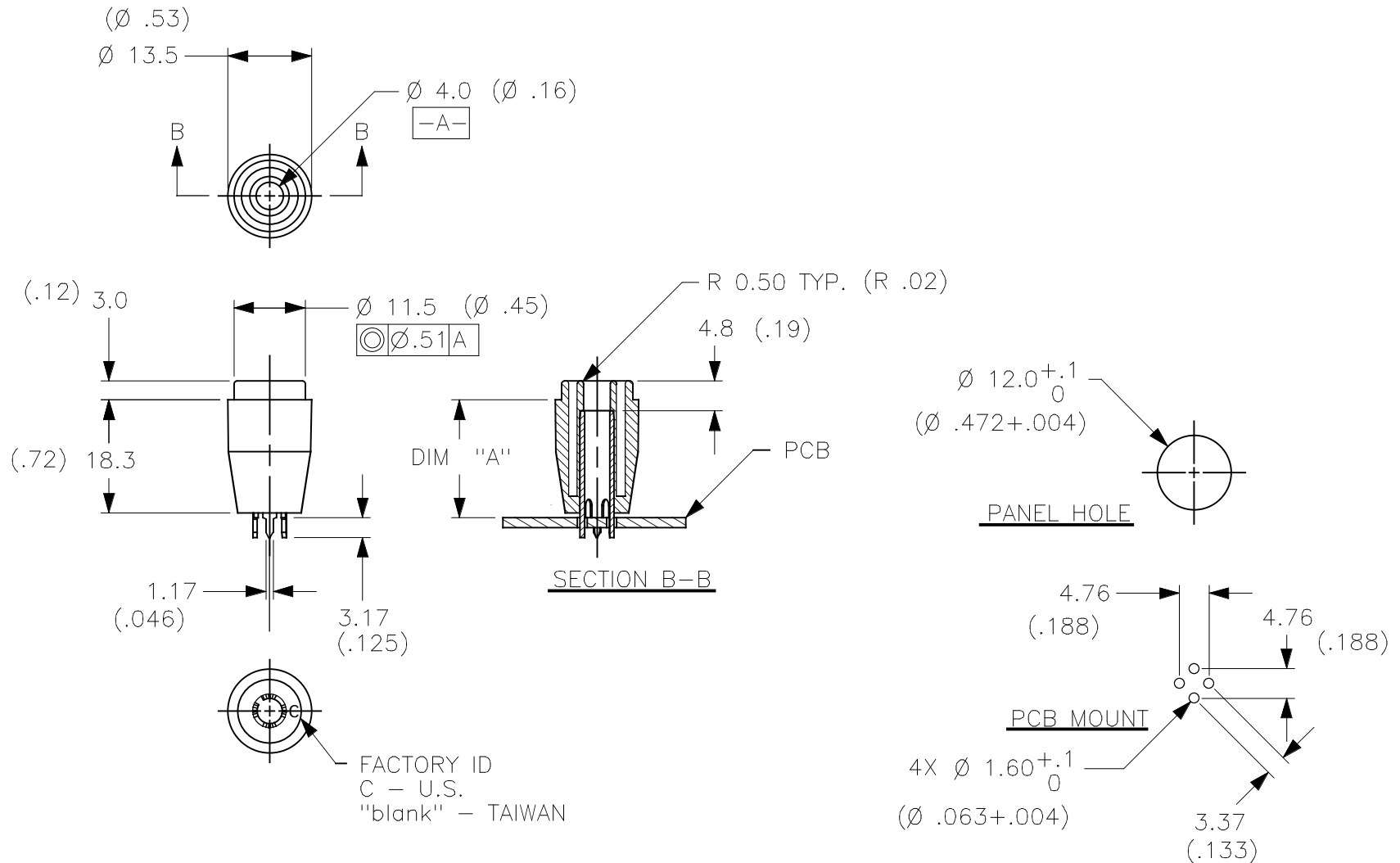
SHEET 1 OF 3

THIS IS ISSUED IN STRICT CONFIDENCE THAT IT IS NOT USED AS A BASIS FOR MANUFACTURE OR SALE AND THAT IT IS NOT COPIED, REPRINTED OR DISCLOSED TO A THIRD PARTY EITHER WHOLLY OR IN PART WITHOUT THE PRIOR WRITTEN CONSENT OF CAL TEST ELECTRONICS, INC.



| | | | |
|---------|-----------|-----------------------|--------|
| SIZE | CAGE CODE | DWG. NO. | REV. |
| A | 43F45 | P315100 | H |
| DRAWN | 6/27/08 | SCALE | SHEET |
| WDH | | 1:1 | 2 OF 3 |
| CHECKED | | P315100rH_drawing.pdf | |

THIS IS ISSUED IN STRICT CONFIDENCE THAT IT IS NOT USED AS A BASIS FOR MANUFACTURE OR SALE AND THAT IT IS NOT COPIED, REPRINTED OR DISCLOSED TO A THIRD PARTY EITHER WHOLLY OR IN PART WITHOUT THE PRIOR WRITTEN CONSENT OF CAL TEST ELECTRONICS, INC.



| | | | | | | | |
|---------|--|----------|--|----------|--------------|-----------------------|--------------|
| DRAWN | | 12/21/16 | | SIZE | CAGE CODE | DWG. NO. | REV. |
| WDH | | | | A | 43F45 | P315100 | H |
| CHECKED | | | | SCALE | 1:1 | P315100rH_drawing.pdf | SHEET 3 OF 3 |

X-ON Electronics

Largest Supplier of Electrical and Electronic Components

Click to view similar products for [Test Plugs & Test Jacks](#) category:

Click to view products by [Cal Test](#) manufacturer:

Other Similar products are found below :

[579-0400](#) [66000-7](#) [R644543000](#) [R921923000](#) [R921930000](#) [R941344000](#) [R948161000](#) [R999351000](#) [1408-4](#) [1533-1](#) [174-R825B-EX](#)
[NYS508-BU](#) [1680](#) [174-R819B-EX](#) [R644543003](#) [R644543004](#) [R644543020](#) [R644543021](#) [R921926000](#) [R921931000](#) [R921932000](#)
[R921934000](#) [R929991000](#) [R941460000](#) [R941461000](#) [R941463600](#) [R941920600](#) [R948160000](#) [31B-2-RED](#) [032-0016-023](#) [105-1106-001](#)
[108-1000-106](#) [108-2301-621](#) [66001-9](#) [7013](#) [1395080-1](#) [930166100](#) [NYS508-GR](#) [NYS508-W](#) [NYS508-Y](#) [NYS511-R](#) [BP30-2BR10-B PKG](#)
[BP30-10-WT](#) [BP30-2BR-B PKG](#) [BP30Y-1 PKG](#) [R941049000](#) [R941340000](#) [R948141029](#) [R921922000](#) [R644543022](#)