

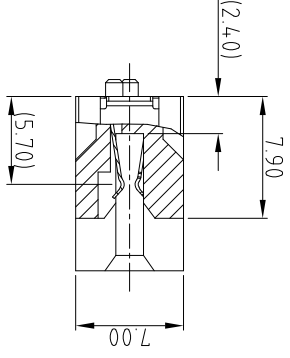
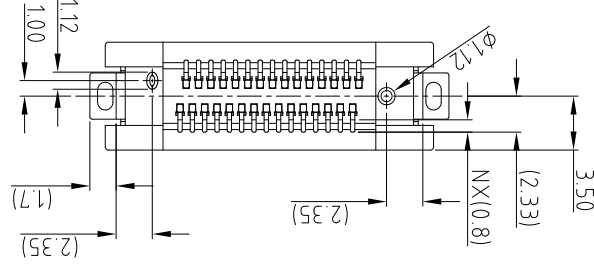
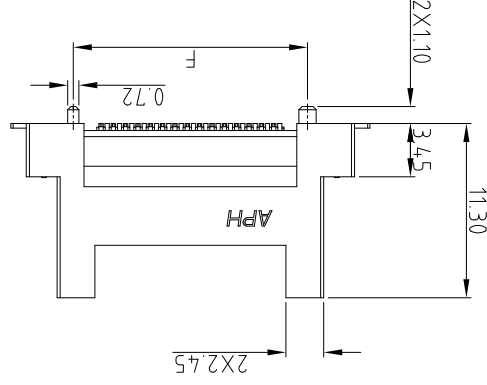
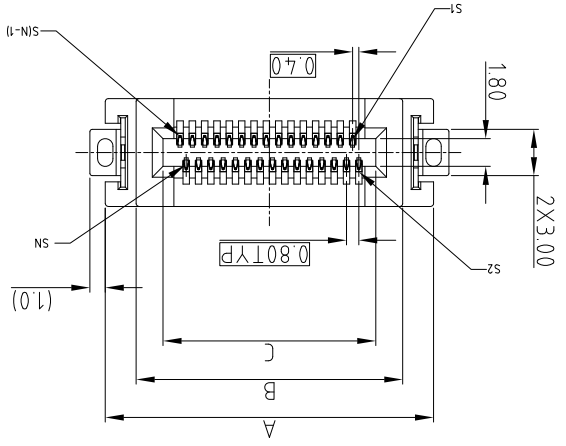
This document is the property of Amphenol Corporation and is delivered on the express condition that it is not to be disclosed, reproduced or used, in whole or in part, for manufacture or sale by anyone other than Amphenol Corporation without its prior consent. & that no right is granted to disclose or to use any information in this document.

# CUSTOMER DRAWING

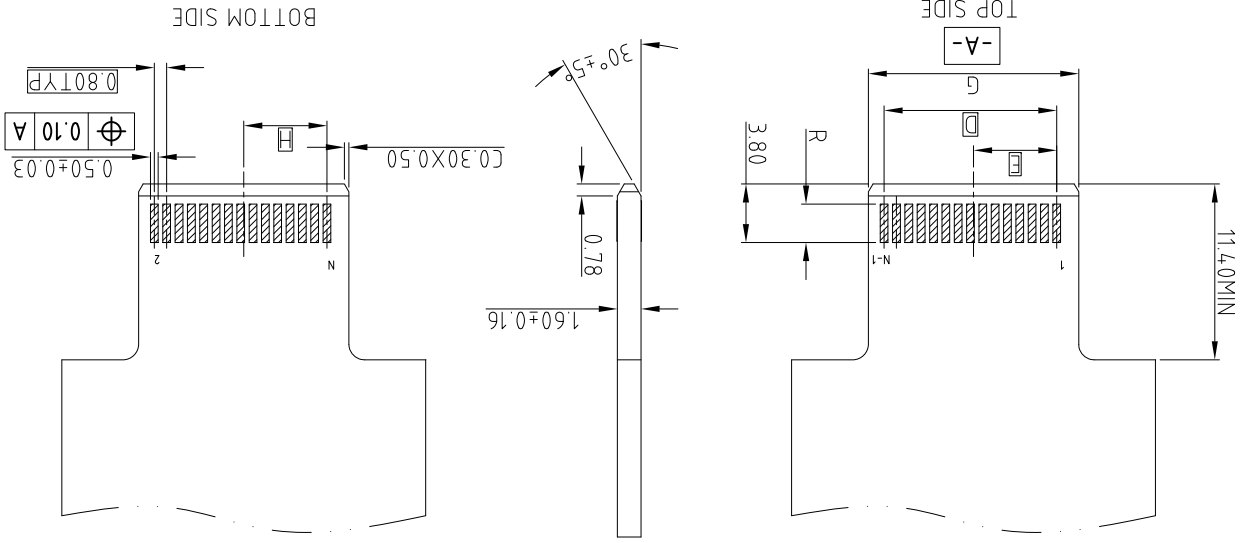
REVISIONS			
SYM	ECN	DESCRIPTION	DATE
7	CD1275	UPDATE DRAWING	Apr-25,2018
APPROVED			

PART NUMBER SYSTEM  
CEXXXXXXXX011011X

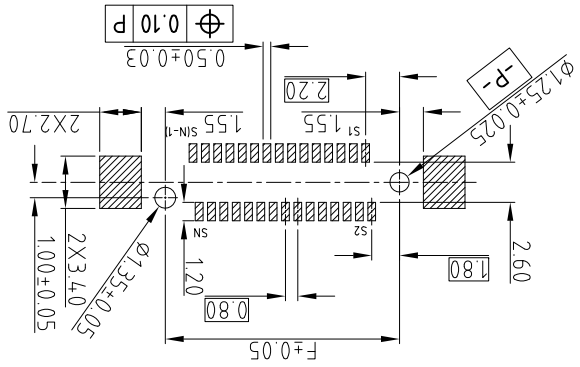
- PLATING SPEC
- 1: 0.76um Au
- 2: 0.38um Au
- 3: GOLD FLASH
- 4: 0.76umPdNi +G
- CARD THICKNESS
- 0: 1.60MM
- GUIDE HOLE
- 0: WITHOUT GUIDE HOLE
- G: WITH GUIDE HOLE
- POWER PIN COUNT
- 0: WITHOUT POWER PIN
- 2: 2PIN
- 4: 4PIN
- 6: 6PIN
- SIGNAL PIN COUNT
- 000: 0 PIN
- 080: 80PIN
- 100: 100PIN
- 120: 120PIN
- 140: 140PIN
- 160: 160PIN
- 180: 180PIN
- 200: 200PIN



RECOMMEND MATING CARD, THICKNESS=1.60±0.16MM  
GENERAL TOLERANCE ±0.05MM



RECOMMEND SOLDER PCB LAYOUT  
GENERAL TOLERANCE ±0.05MM



- NOTE:
- MATERIAL: HOUSING: HIGH TEMPERATURE THERMOPLASTIC BLACK UL94-V0  
CONTACT: COPPER ALLOY  
BOARDLOCK: SPC
  - PLATING: CONTACT: MATING AREA: SEE PLATING SPEC OVER 1.27-2.54 UM NICKEL UNDERPLATED  
SOLDER AREA: 1.27 MIN TIN OVER 1.27-2.54 UM NICKEL UNDERPLATED  
BOARDLOCK: 1.27 MIN TIN OVER 1.27-2.54UM NICKEL UNDERPLATED
  - ELECTRICAL PERFORMANCE:  
RATED CURRENT FOR POWER PIN: REFER PRODUCT APPLICATION SPEC  
RATED CURRENT FOR SIGNAL PIN: REFER PRODUCT APPLICATION SPEC
  - PRODUCT SHALL MEET ALL DIMENSIONS BEFORE EXPOSURE TO 260°C MAX. FOR 10S AND SHALL MEET ALL SELECTED FUNCTIONAL DIMENSION AFTER EXPOSURE TO 260°C MAX. FOR 10S.
  - MATERIAL SHOULD BE FULFILLED AMPHENOL SPEC # SSN002
  - ORDERING PN: REFER TO THE PN SYSTEM

SYSTEM	85 ohm
IMPEDANCE (GOLD FINGER LENGTH)	2.50
DIM R	

PIN COUNT		DIMENSION							
N (SIGNAL)	A	B	C	D	E	F	G	H	
20	17.30	13.30	9.80	7.20	3.40	11.20	9.65	3.40	
26	19.70	15.70	12.20	9.60	4.60	13.60	12.05	4.60	
40	25.30	21.30	17.80	15.20	7.40	19.20	17.65	7.40	
50	29.30	25.30	21.80	19.20	9.40	23.20	21.65	9.40	

UNLESS OTHERWISE SPECIFIED  
TOLERANCES  
U.S. METRIC  
X +/-  
XX +/-  
XXX +/-  
FRACTIONS +/-  
ANGLES +/-  
5°

FOR MATERIALS AND FINISHES  
SEE NOTES  
REMOVE SHARP EDGES  
DIMENSIONS  
U.S. INCHES  
(METRIC) (mm)

INTERNAL DRAWING/CE/C XXXXXXXX011011X  
DRAWING FILE :  
ANGLE OF PROJECTION

APPROVAL DATE: Apr.25,2018  
DRAWN  
CHECKED  
APPROVED

TITLE: COOL EDGE CONNECTOR  
0.80MM PITCH

SIZE: A3  
DRAWING NO.: C CXXXXXXXX011011X  
SCALE: NONE  
SHEET 1 OF 8  
REV. 7

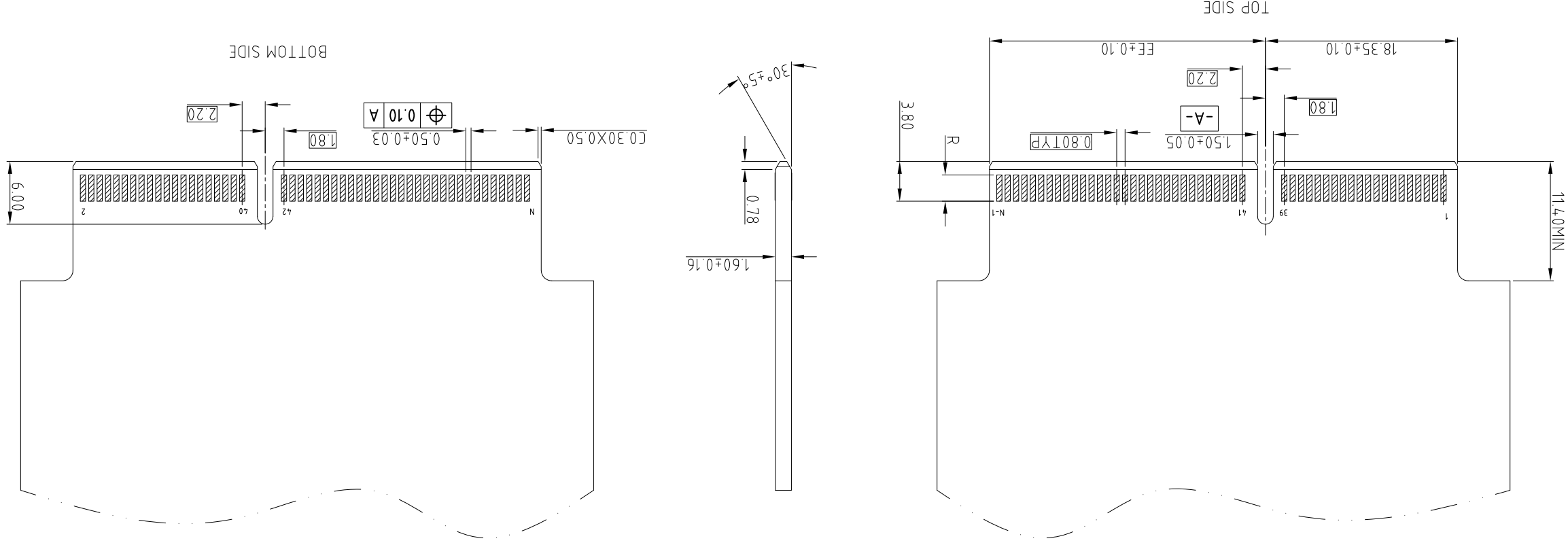
Amphenol



This document is the property of Amphenol Corporation and is delivered on the express condition that it is not to be disclosed, reproduced or used, in whole or in part, for manufacture or sale by anyone other than Amphenol Corporation without its prior consent. & that no right is granted to disclose or to use any information in this document.

CUSTOMER DRAWING

SYMBOL	ECN	DESCRIPTION	DATE	APPROVED
REVISIONS				
		SEE SHEET 1		



SYSTEM	85 ohm
DIM R	2.50
IMPEDANCE (GOLD FINGER LENGTH)	

PIN COUNT	AA	BB	CC	DD	EE
N (SIGNAL)	10.50	36.50	32.50	30.40	10.35
60	18.50	44.50	40.50	38.40	18.35
80	26.50	48.50	46.40	26.35	
100	34.50	60.50	56.50	54.40	34.35
120	42.50	68.50	64.50	62.40	42.35
140	50.50	76.50	72.50	70.40	50.35
160	58.50	84.50	80.50	78.40	58.35
180	66.50	92.50	88.50	86.40	66.35
200					



UNLESS OTHERWISE SPECIFIED		TOLERANCES		u.s. METRIC	
X	+/-	0.3	0.20		
.XX	+/-	0.15			
.XXX	+/-				
FRACTIONS	+/-				
ANGLES	+/-	5°			
FOR MATERIALS AND FINISHES SEE NOTES					
REMOVE SHARP EDGES					
DIMENSIONS					
— u.s. —					
(METRIC) (mm)					
ANGLE OF PROJECTION		FIRST ANGLE			
DRAWING FILE :		INTERNAL\DRAWING\CE\CXXXXXXXXX011011X			
TITLE		COOL EDGE CONNECTOR 0.80MM PITCH			
DRAWING NO.		C CXXXXXXXXX011011X			
SIZE		A3			
SCALE		NONE			
SHEET 3 OF 8					

Amphenol

A

B

C

D

A

B

C

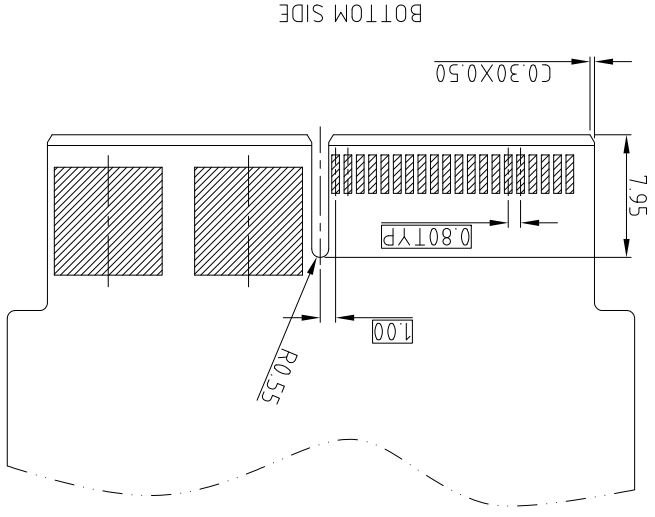
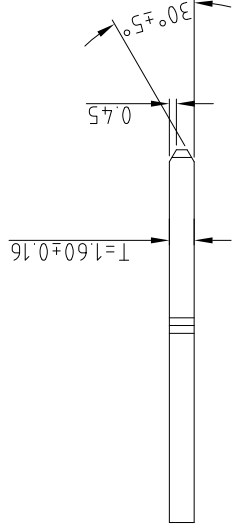
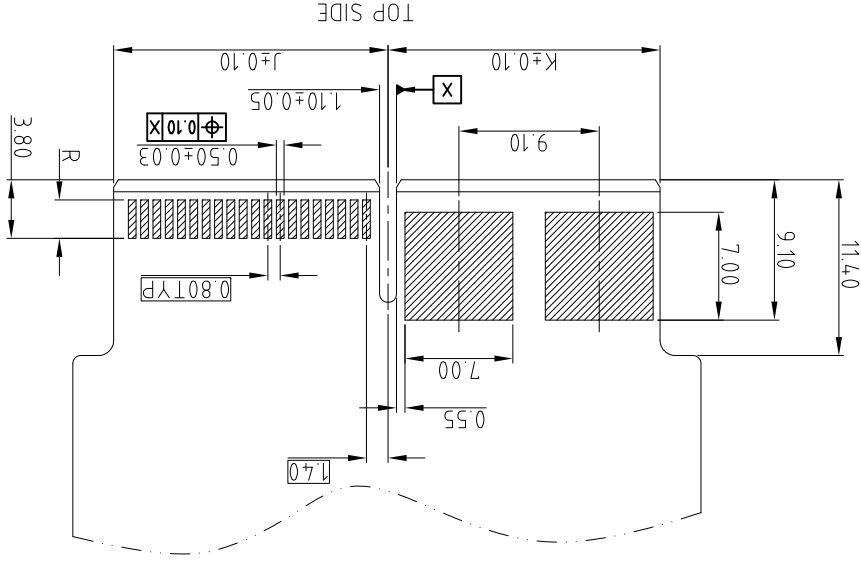
D



This document is the property of Amphenol Corporation and is delivered on the express condition that it is not to be disclosed, reproduced or used, in whole or in part, for manufacture or sale by anyone other than Amphenol Corporation without its prior consent. & that no right is granted to disclose or to use any information in this document.

CUSTOMER DRAWING

SYMBOL	ECN	DESCRIPTION	DATE	APPROVED
REVISIONS				
		SEE SHEET 1		



SYSTEM	85 ohm
IMPEDANCE (GOLD FINGER LENGTH)	2.50
DIM R	

RECOMMEND MATING CARD, THICKNESS=1.60±0.16MM  
GENERAL TOLERANCE ±0.05MM

PIN COUNT		DIMENSION																			
N (POWER)	M (SIGNAL)	A	B	C	D	E	F	G	H	J	K	A	B	C	D	E	F	G	H	J	K
18	9.15	8.70	26.85	22.85	11.70	20.25	11.30	10.90	9.00	8.55	9.95	8.70	27.65	23.65	11.70	21.05	11.30	10.90	9.80	8.55	
20	9.95	8.70	27.65	23.65	11.70	29.05	11.30	10.90	17.80	8.55	17.95	8.70	28.45	24.45	11.70	20.80	11.30	10.90	17.80	8.55	
40	17.95	8.70	35.65	31.65	11.70	37.05	11.30	10.90	25.80	8.55	33.95	8.70	36.75	32.75	11.70	20.80	11.30	10.90	33.80	8.55	
60	25.95	8.70	43.65	39.65	11.70	45.05	11.30	10.90	33.80	8.55	41.95	8.70	40.75	36.75	11.70	20.80	11.30	10.90	41.80	8.55	
80	33.95	8.70	51.65	47.65	11.70	53.05	11.30	10.90	41.80	8.55	49.95	8.70	48.75	44.75	11.70	20.80	11.30	10.90	49.80	8.55	
100	41.95	8.70	59.65	55.65	11.70	61.05	11.30	10.90	49.80	8.55	57.95	8.70	56.75	52.75	11.70	20.80	11.30	10.90	57.80	8.55	
120	49.95	8.70	67.65	63.65	11.70	69.05	11.30	10.90	57.80	8.55	65.95	8.70	64.75	60.75	11.70	20.80	11.30	10.90	65.80	8.55	
140	57.95	8.70	75.65	71.65	11.70	77.05	11.30	10.90	65.80	8.55	73.95	8.70	72.75	68.75	11.70	20.80	11.30	10.90	73.80	8.55	
160	65.95	8.70	83.65	79.65	11.70	85.05	11.30	10.90	73.80	8.55	81.95	8.70	80.75	76.75	11.70	20.80	11.30	10.90	81.80	8.55	
180	73.95	8.70	91.65	87.65	11.70	93.05	11.30	10.90	81.80	8.55	89.95	8.70	88.75	84.75	11.70	20.80	11.30	10.90	89.80	8.55	
200	81.95	8.70	99.65	95.65	11.70	101.05	11.30	10.90	89.80	8.55	97.95	8.70	96.75	92.75	11.70	20.80	11.30	10.90	97.80	8.55	

PIN COUNT		DIMENSION																			
N (POWER)	M (SIGNAL)	A	B	C	D	E	F	G	H	J	K	A	B	C	D	E	F	G	H	J	K
20	9.95	17.80	36.75	32.75	20.80	30.15	20.40	20.00	9.80	17.65	17.95	17.80	44.75	40.75	20.80	38.15	20.40	20.00	17.80	17.65	
40	17.95	17.80	44.75	40.75	20.80	46.15	20.40	20.00	25.80	17.65	25.95	17.80	52.75	48.75	20.80	46.15	20.40	20.00	25.80	17.65	
60	25.95	17.80	52.75	48.75	20.80	54.15	20.40	20.00	33.80	17.65	33.95	17.80	60.75	56.75	20.80	54.15	20.40	20.00	33.80	17.65	
80	33.95	17.80	60.75	56.75	20.80	62.15	20.40	20.00	41.80	17.65	41.95	17.80	68.75	64.75	20.80	62.15	20.40	20.00	41.80	17.65	
100	41.95	17.80	68.75	64.75	20.80	70.15	20.40	20.00	49.80	17.65	49.95	17.80	76.75	72.75	20.80	70.15	20.40	20.00	49.80	17.65	
120	49.95	17.80	76.75	72.75	20.80	78.15	20.40	20.00	57.80	17.65	57.95	17.80	84.75	80.75	20.80	78.15	20.40	20.00	57.80	17.65	
140	57.95	17.80	84.75	80.75	20.80	86.15	20.40	20.00	65.80	17.65	65.95	17.80	92.75	88.75	20.80	86.15	20.40	20.00	65.80	17.65	
160	65.95	17.80	92.75	88.75	20.80	94.15	20.40	20.00	73.80	17.65	73.95	17.80	100.75	96.75	20.80	94.15	20.40	20.00	73.80	17.65	
180	73.95	17.80	100.75	96.75	20.80	102.15	20.40	20.00	81.80	17.65	81.95	17.80	108.75	104.75	20.80	102.15	20.40	20.00	81.80	17.65	
200	81.95	17.80	108.75	104.75	20.80	110.15	20.40	20.00	89.80	17.65	89.95	17.80	116.75	112.75	20.80	110.15	20.40	20.00	89.80	17.65	

PIN COUNT		DIMENSION																			
N (POWER)	M (SIGNAL)	A	B	C	D	E	F	G	H	J	K	A	B	C	D	E	F	G	H	J	K
20	9.95	26.90	45.85	41.85	29.90	39.25	29.50	29.10	9.80	26.75	17.95	26.90	53.85	49.85	29.90	47.25	29.50	29.10	17.80	26.75	
40	17.95	26.90	53.85	49.85	29.90	55.25	29.50	29.10	25.80	26.75	17.95	26.90	61.85	57.85	29.90	59.25	29.50	29.10	25.80	26.75	
60	25.95	26.90	61.85	57.85	29.90	63.25	29.50	29.10	33.80	26.75	25.95	26.90	69.85	65.85	29.90	67.25	29.50	29.10	33.80	26.75	
80	33.95	26.90	69.85	65.85	29.90	71.25	29.50	29.10	41.80	26.75	33.95	26.90	77.85	73.85	29.90	75.25	29.50	29.10	41.80	26.75	
100	41.95	26.90	77.85	73.85	29.90	79.25	29.50	29.10	49.80	26.75	41.95	26.90	85.85	81.85	29.90	83.25	29.50	29.10	49.80	26.75	
120	49.95	26.90	85.85	81.85	29.90	81.25	29.50	29.10	57.80	26.75	49.95	26.90	91.85	87.85	29.90	89.25	29.50	29.10	57.80	26.75	
140	57.95	26.90	91.85	87.85	29.90	83.25	29.50	29.10	65.80	26.75	57.95	26.90	97.85	93.85	29.90	95.25	29.50	29.10	65.80	26.75	
160	65.95	26.90	97.85	93.85	29.90	95.25	29.50	29.10	73.80	26.75	65.95	26.90	103.85	99.85	29.90	101.25	29.50	29.10	73.80	26.75	
170	69.95	26.90	103.85	99.85	29.90	101.25	29.50	29.10	81.80	26.75	69.95	26.90	109.85	105.85	29.90	107.25	29.50	29.10	81.80	26.75	



UNLESS OTHERWISE SPECIFIED  
TOLERANCES  
U.S. METRIC  
X +/- .02  
XX +/- .015  
FRACTIONS +/- .015  
ANGLES +/- .5°

FOR MATERIALS AND FINISHES  
SEE NOTES  
REMOVE SHARP EDGES  
DIMENSIONS  
— U.S. —  
(METRIC) (mm)

ANGLE OF PROJECTION

DRAWING FILE :  
INTERNAL\DRAWING\CE\CXXXXXXXXX011011X

APPROVAL DATE: Apr.25,2018  
DRAWN  
CHECKED  
APPROVED

TITLE: HYBRID COOL EDGE CONNECTOR 0.80MM PITCH

SIZE: A3  
DRAWING NO.: C CEXXXXXX011011X  
REV. 7

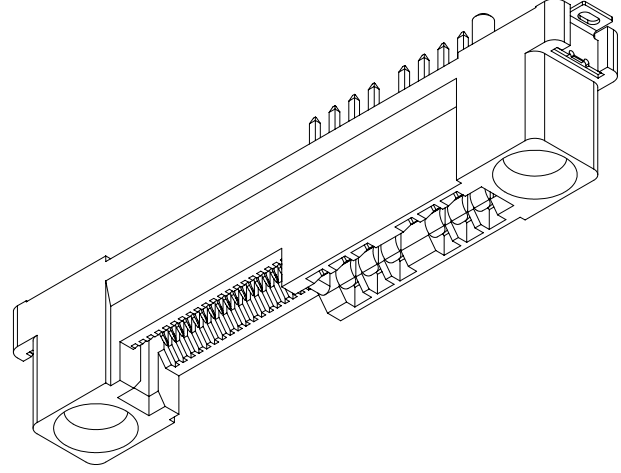
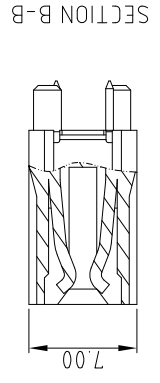
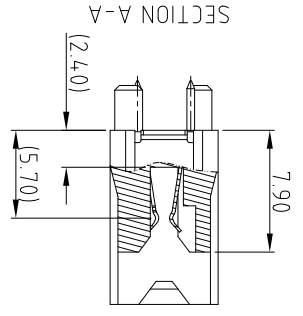
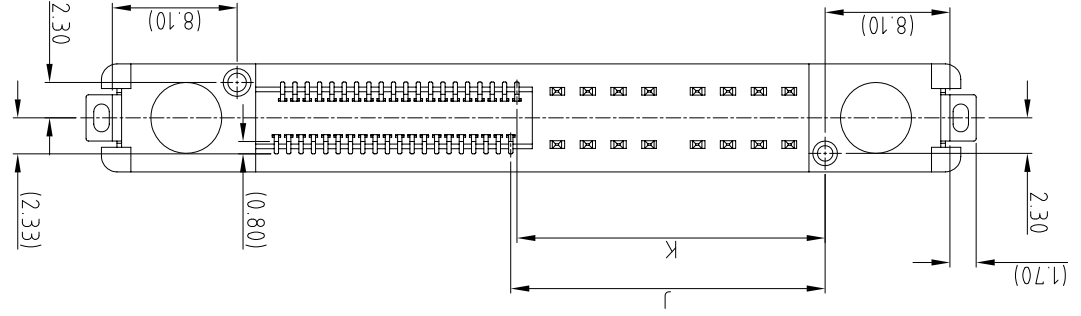
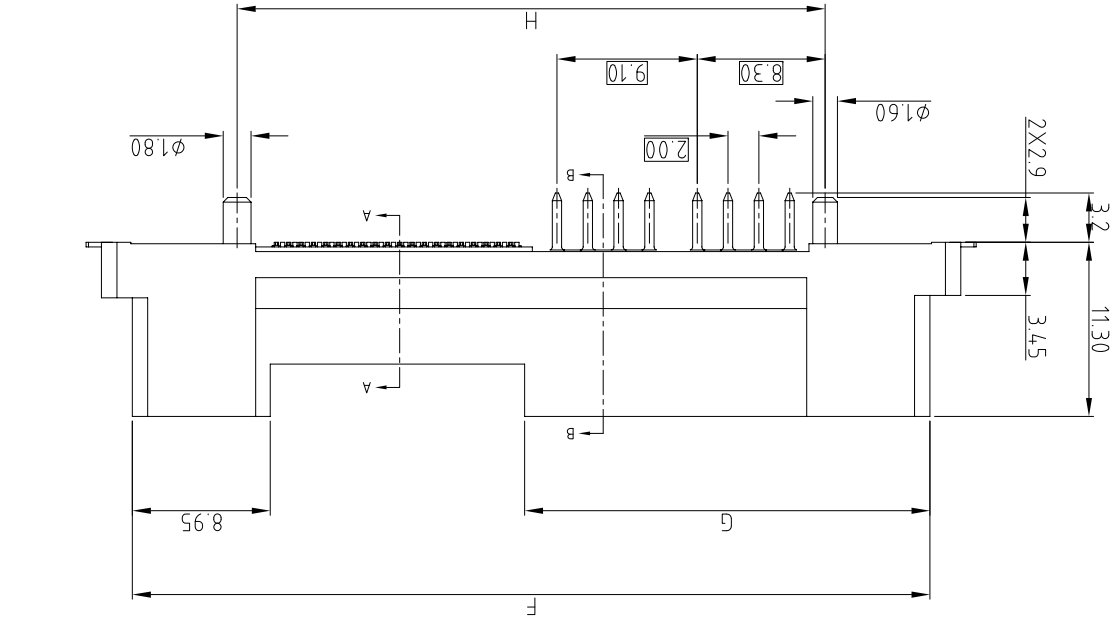
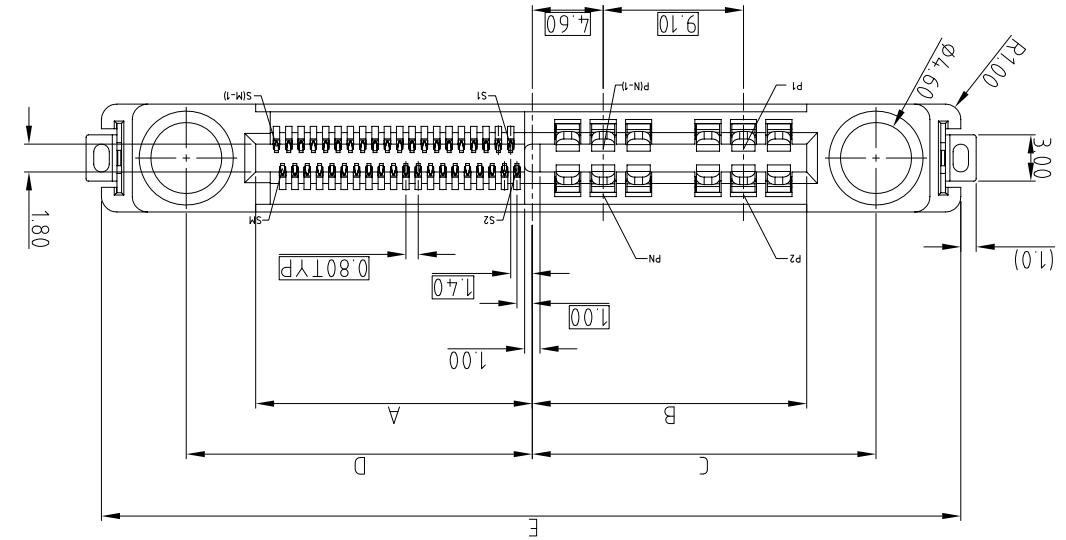
SCALE: NONE  
SHEET 5 OF 8

Amphenol

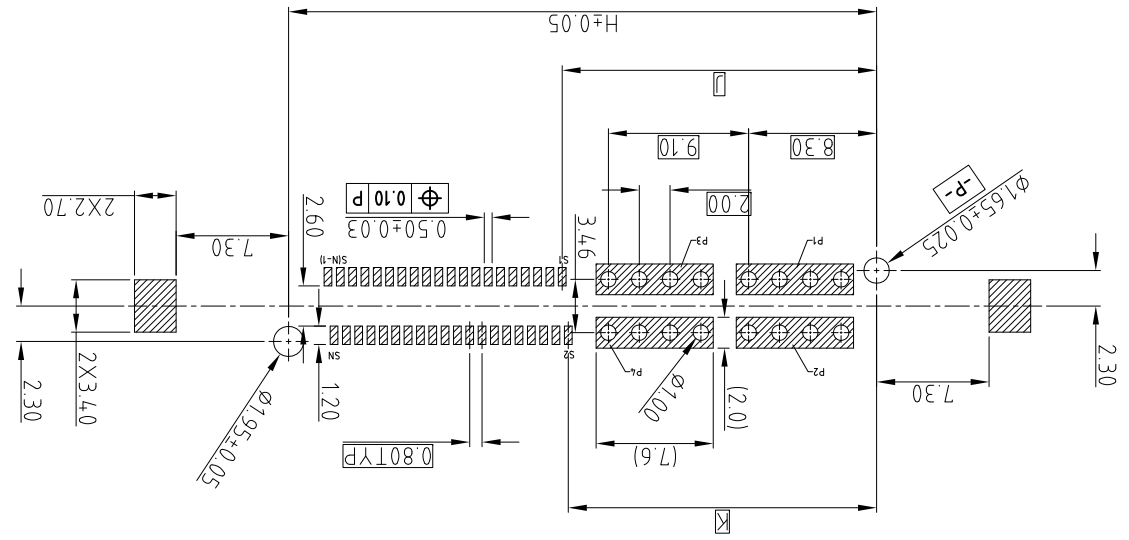
This document is the property of Amphenol Corporation and is delivered on the express condition that it is not to be disclosed, reproduced or used, in whole or in part, for manufacture or sale by anyone other than Amphenol Corporation without its prior consent. & that no right is granted to disclose or to use any information in this document.

CUSTOMER DRAWING

REVISIONS	SYM	ECN	DESCRIPTION	DATE	APPROVED
SEE SHEET 1					



RECOMMEND SOLDER PCB LAYOUT  
GENERAL TOLERANCE ±0.05MM



UNLESS OTHERWISE SPECIFIED		TOLERANCES		U.S. METRIC	
X	+/-	0.25		CHECKED	APPROVED
.XX	+/-	0.20		DRAWN	DATE
.XXX	+/-	0.15		Apr.25,2018	
FRACTIONS	+/-	5			
ANGLES	+/-				
FOR MATERIALS AND FINISHES	SEE NOTES				
REMOVE SHARP EDGES					
DIMENSIONS	— U.S. —	(METRIC)	(mm)		
	INCHES				
DRAWING FILE : INTERNAL\DRAWING\CE\CXXXXXXXXX011011X					
ANGLE OF PROJECTION					
TITLE					
HYBRID COOL EDGE					
CONNECTOR 0.80MM PITCH					
SIZE	DRAWING NO.	SCALE			
A3	C CXXXXXXXXX011011X	NONE			
REV.	7	SHEET 6 OF 8			



Amphenol



This document is the property of Amphenol Corporation and is delivered on whole or in part, for manufacture or sale by anyone other than Amphenol Corporation without its prior consent. & that no right is granted to disclose or to use any information in this document.

CUSTOMER DRAWING

SYMBOL	DESCRIPTION	DATE	APPROVED
SEE SHEET 1			

REVISIONS

PIN COUNT		DIMENSION																																																																																																																																	
N (POWER)	M (SIGNAL)	A	B	C	D	E	F	G	H	J	K	L	Q	18	20	40	60	80	100	120	140	160	180	200																																																																																																											
9.15	8.70	13.20	13.65	37.85	33.85	17.20	20.25	11.30	10.90	9.80	8.55	9.95	8.70	13.20	14.45	38.65	34.65	17.20	21.05	11.30	10.90	9.80	8.55	17.95	8.70	13.20	22.45	46.65	42.65	17.20	29.05	11.30	10.90	17.80	8.55	25.95	8.70	13.20	30.45	54.65	50.65	17.20	37.05	11.30	10.90	25.80	8.55	33.95	8.70	13.20	38.45	62.65	58.65	17.20	45.05	11.30	10.90	33.80	8.55	41.95	8.70	13.20	46.45	70.65	66.65	17.20	53.05	11.30	10.90	41.80	8.55	49.95	8.70	13.20	54.45	78.65	74.65	17.20	61.05	11.30	10.90	49.80	8.55	57.95	8.70	13.20	62.45	86.65	82.65	17.20	69.05	11.30	10.90	57.80	8.55	65.95	8.70	13.20	70.45	94.65	90.65	17.20	77.05	11.30	10.90	65.80	8.55	73.95	8.70	13.20	78.45	102.65	98.65	17.20	85.05	11.30	10.90	73.80	8.55	81.95	8.70	13.20	86.45	110.65	106.65	17.20	93.05	11.30	10.90	81.80	8.55

PIN COUNT		DIMENSION																																																																																																																					
N (POWER)	M (SIGNAL)	A	B	C	D	E	F	G	H	J	K	L	Q	20	40	60	80	100	120	140	160	170																																																																																																	
9.95	26.90	31.40	14.45	56.85	52.85	35.40	39.25	29.50	29.10	9.80	26.75	9.95	26.90	31.40	22.45	64.85	60.85	35.40	47.25	29.50	29.10	17.80	26.75	17.95	26.90	31.40	22.45	64.85	60.85	35.40	47.25	29.50	29.10	17.80	26.75	25.95	26.90	31.40	30.45	72.85	68.85	35.40	55.25	29.50	29.10	25.80	26.75	33.95	26.90	31.40	38.45	80.85	76.85	35.40	63.25	29.50	29.10	33.80	26.75	41.95	26.90	31.40	46.45	88.85	84.85	35.40	71.25	29.50	29.10	41.80	26.75	49.95	26.90	31.40	54.45	96.85	92.85	35.40	79.25	29.50	29.10	49.80	26.75	57.95	26.90	31.40	62.45	104.85	100.85	35.40	87.25	29.50	29.10	57.80	26.75	65.95	26.90	31.40	70.45	112.85	108.85	35.40	95.25	29.50	29.10	65.80	26.75	69.95	26.90	31.40	74.45	120.85	116.85	35.40	99.25	29.50	29.10	69.80	26.75



UNLESS OTHERWISE SPECIFIED		TOLERANCES		U.S. METRIC	
X	+/-	.XX	+/-	0.25	
	+/-	.XXX	+/-	0.15	
	+/-	FRACTIONS	+/-	5	
FOR MATERIALS AND FINISHES SEE NOTES					
REMOVE SHARP EDGES					
DIMENSIONS					
— U.S. —					
— INCHES —					
(METRIC) (mm)					
ANGLE OF PROJECTION					
DRAWING FILE :		INTERNAL\DRAWING\CE\C CEXXXXXX011011X			
DRAWN		Apr.25,2018			
CHECKED					
APPROVED					
TITLE		HYBRID COOL EDGE CONNECTOR 0.80MM PITCH			
SIZE		A3			
DRAWING NO.		C CEXXXXXX011011X			
REV.		7			
SCALE		NONE			
SHEET		8 OF 8			

Amphenol

1

2

3

4

1

2

3

4

A

B

C

D

A

B

C

D



## X-ON Electronics

Largest Supplier of Electrical and Electronic Components

*Click to view similar products for [Standard Card Edge Connectors](#) category:*

*Click to view products by [Amphenol](#) manufacturer:*

Other Similar products are found below :

[6565204-6](#) [PKC-156](#) [1437274-4](#) [147889-1](#) [1489165-4](#) [EBT156-12B1X](#) [EBT15622B2X](#) [EBT156-22R2W](#) [1-582587-1](#) [1-582589-1](#) [2-6437275-9](#) [284-0102-12100](#) [306022901000000](#) [307-012-502-202](#) [307-024-526-201](#) [307-056-520-300](#) [307-080-526-208](#) [245-062-520-350](#) [287-0032-12101](#) [306-010-500-112](#) [306-028-525-102](#) [306-240-318](#) [307-036-502-202](#) [307-036-521-301](#) [307-072-526-202](#) [345-060-559-303](#) [368-004-520-201](#) [392-008-559-201](#) [534671-1](#) [5-530501-5](#) [341-240-317](#) [345-029-520-300](#) [345-030-500-301](#) [345-044-500-300](#) [345-220-058](#) [346-240-318](#) [357-030-526-201](#) [387-012-523-300](#) [395-044-520-300](#) [395-100-524-300](#) [50-12B-10](#) [50-6SN-5](#) [09-07-2032](#) [10035388-106LF](#) [10035388-802LF](#) [10122859-009LF](#) [101269333204245CLF](#) [10127905-B04B24BLF](#) [530555-1](#) [EBT156-15A2X](#)