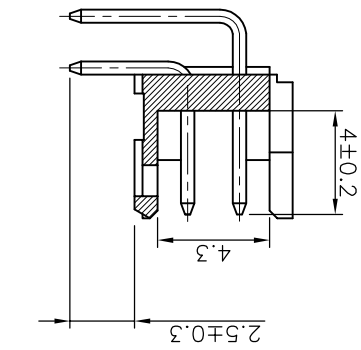
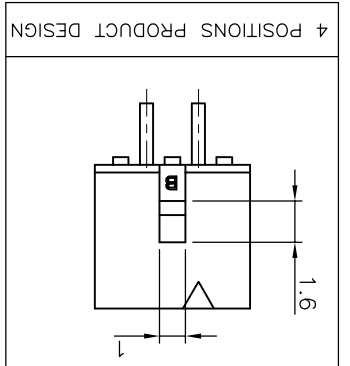
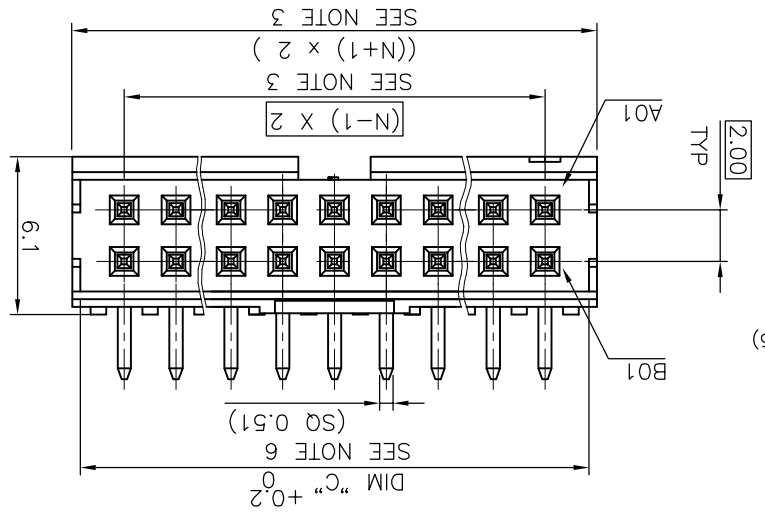
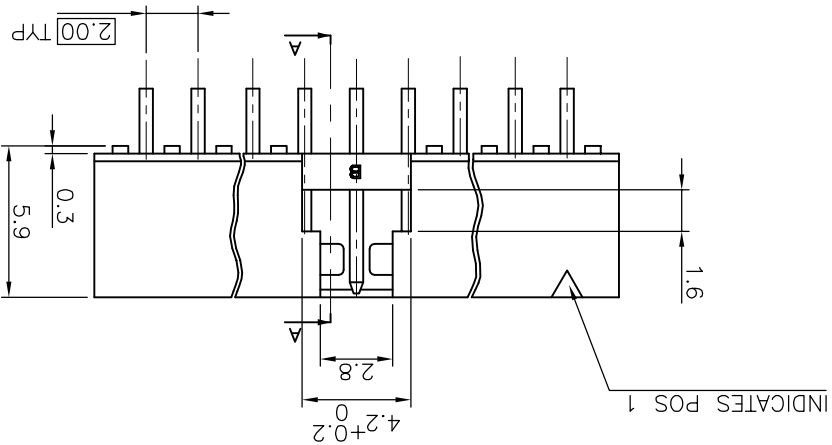
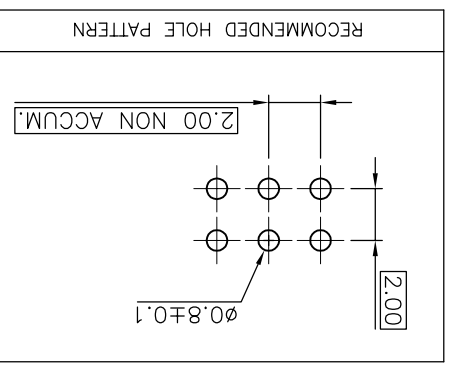


PRODUCT NUMBER
98464-X61-XX-XXXLF

- NOTES:
- 1. MATERIAL HOUSING: HIGH TEMP. THERMOPLASTIC UL 94V-0
 - 2. MATERIAL TERMINAL: COPPER ALLOY
 - 3. TO DETERMINE DIMENSIONS:
N = NUMBER OF POSITIONS PER ROW
 - 4. 7N MIN. PIN RETENTION IN EITHER DIRECTION.
 - 5. PACKAGING:
= STANDARD PACKAGING IN POLYBAGS
= POLYBAGS WHEN POLARISATION FEATURE APPLICABLE
U = TUBE AVAILABLE FROM 06 TO 50 POS
 - 6. DIM "C" = $(N \times 2) + 1.4$
EXAMPLE: N = 7
DIM "C" = $(7 \times 2) + 1.4 = 15.4$ mm
 - 7. FOR POLARIZATION, SPECIFIED PIN
EXAMPLE: A03= ROW A, POSITION 03 TO OMIT PIN
OMIT FROM PRODUCT NUMBER IF THIS FEATURE IS NOT APPLICABLE
 - 8. ROHS COMPATIBLE PRODUCT SPECIFICATIONS
 - a - PLATING:
- "LF" MEANS THE PRODUCT IS LEAD-FREE,
2µm MINIMUM MATTE TIN OVER 1.27µm
MINIMUM NICKEL UNDERPLATE.
 - b - MANUFACTURING PROCESS COMPATIBILITY
- THE HOUSING WILL WITHSTAND EXPOSURE TO
260°C ±5°C SOLDER BATH TEMPERATURE FOR
5 SECONDS IN A WAVE SOLDER APPLICATION
WITH A 1.6mm MIN THICK CIRCUIT BOARD.
 - c - LABELLING:
- MEETS PACKAGING SPECS AS PER GS-14-920
- THIS PRODUCT MEETS EUROPEAN DIRECTIVES
AND OTHER COUNTRY REGULATIONS AS DESCRIBED
IN GS-47-0004



mat'l. code		SEE NOTES		surface		ISO 1302		tolerance unless otherwise specified		projection		ISO 101	
L B-15815 JCO 13.09.11		dr ddate		tolerances unless otherwise specified		X.X ±0.3		mm		title		product family	
M B-19190 LMU 14.10.24		lineart		X.XX ±0.13		angle		mm		SHR HEADER		MINITEK	
N B-19797 AMA 14.12.16		dr ddate		X.XXX ±0.05		scale 1:1		mm		2.00 RIGHT ANGLE TMT		sheet 1 of 1 size	
P B-19988 LMU 15.01.13		enggr		L.MULIN		04.09.27		dwg no		98464		CUSTOMER Drawing	
R B-20254 LMU 15.02.16		pppd		J.M.C		04.09.27		type		CUSTOMER Drawing		sheet revision	
K F12-0088 JCO 12.07.23		chn		J.M.C		04.09.27		type		CUSTOMER Drawing		sheet revision	

X-ON Electronics

Largest Supplier of Electrical and Electronic Components

Click to view similar products for [Headers & Wire Housings](#) category:

Click to view products by [Amphenol](#) manufacturer:

Other Similar products are found below :

[95000-104TRLF](#) [10135584-644402LF](#) [DF62W-EP2022PCA](#) [95000-106TRLF](#) [DF62W-2022SCA](#) [DF62W-EP2022PC](#) [2203348](#) [DF62W-2022SC](#) [1084018](#) [1029039](#) [1084017](#) [802-10-012-10-002000](#) [1112640](#) [1112639](#) [000-34000](#) [0009482033](#) [0009507031](#) [57102-S06-03LF](#) [57202-S52-04LF](#) [PCN6-15S-2.5E](#) [0039019024](#) [58102-G61-06LF](#) [582553-1](#) [0009485154](#) [0009508121](#) [0022285053](#) [0050291907](#) [018731A](#) [LY20-4P-DT1-P1E-BR](#) [02.125.8002.8](#) [60101931](#) [60598-1 \(Cut Strip\)](#) [M1625-3R/100](#) [61062-3](#) [61082-181009](#) [636-1427](#) [638009-1](#) [641938-9](#) [641991-4](#) [644168-1](#) [647662-1](#) [65039-019ELF](#) [65817-002LF](#) [65817-015LF](#) [65863-015LF](#) [66207-023LF](#) [67016-026LF](#) [67046-001LF](#) [67095-007LF](#) [67230-005LF](#)