

PRODUCT NUMBER  
10075025-XXX-XXXLF

LEAD FREE  
RHS COMPATIBLE  
NOTE 7  
PACKAGING  
NOTE 5  
TOTAL NUMBER OF  
POSITIONS 04 TO 50

PLATING  
S = 0.38µm GOLD/GXT ON CONTACT AREA  
2µm MIN MATTE TIN ON TAIL  
G = 0.76µm GOLD/GXT ON CONTACT AREA  
2µm MIN MATTE TIN ON TAIL  
F = GOLD FLASH ON CONTACT AREA  
2µm MIN MATTE TIN ON TAIL  
1.27µm MIN NICKEL UNDERPLATING

PIN	STYLE	TAIL LENGTH	MISSING PIN POSITION
03	2.00	2.00	A01
02	2.50		
01	2.00		

NOTES:

1. MATERIAL HOUSING: HIGH TEMP. THERMOPLASTIC  
UL 94V-0, COLOR NATURAL

2. MATERIAL TERMINAL: COPPER ALLOY

3. TO DETERMINE DIMENSIONS:

N = NUMBER OF POSITIONS PER ROW

4. 7N MIN. PIN RETENTION IN EITHER DIRECTION.

5. PACKAGING:

= STANDARD PACKAGING IN POLYBAG

U = TUBE AVAILABLE FROM 03 TO 25 POS PER ROW

A = TAPE & REEL WITH PICK UP CAP, AS AVAILABLE.

6. POLARIZATION:  
- SEE TABLE FOR AVAILABILITY  
- FOR NEW REQUEST, PLEASE TO CONTACT FCI

7. ROHS COMPATIBLE PRODUCT SPECIFICATIONS

a - PLATING:

- "LF" MEANS THE PRODUCT IS LEAD-FREE.

2µm MINIMUM MATTE TIN OVER 1.27µm

MINIMUM NICKEL UNDERPLATE.

b - MANUFACTURING PROCESS COMPATIBILITY

- THE HOUSING WILL WITHSTAND EXPOSURE TO

260°C PEAK TEMPERATURE FOR 30 SECONDS MAX

IN A CONVECTION, INFRA-RED, OR VAPOR PHASE

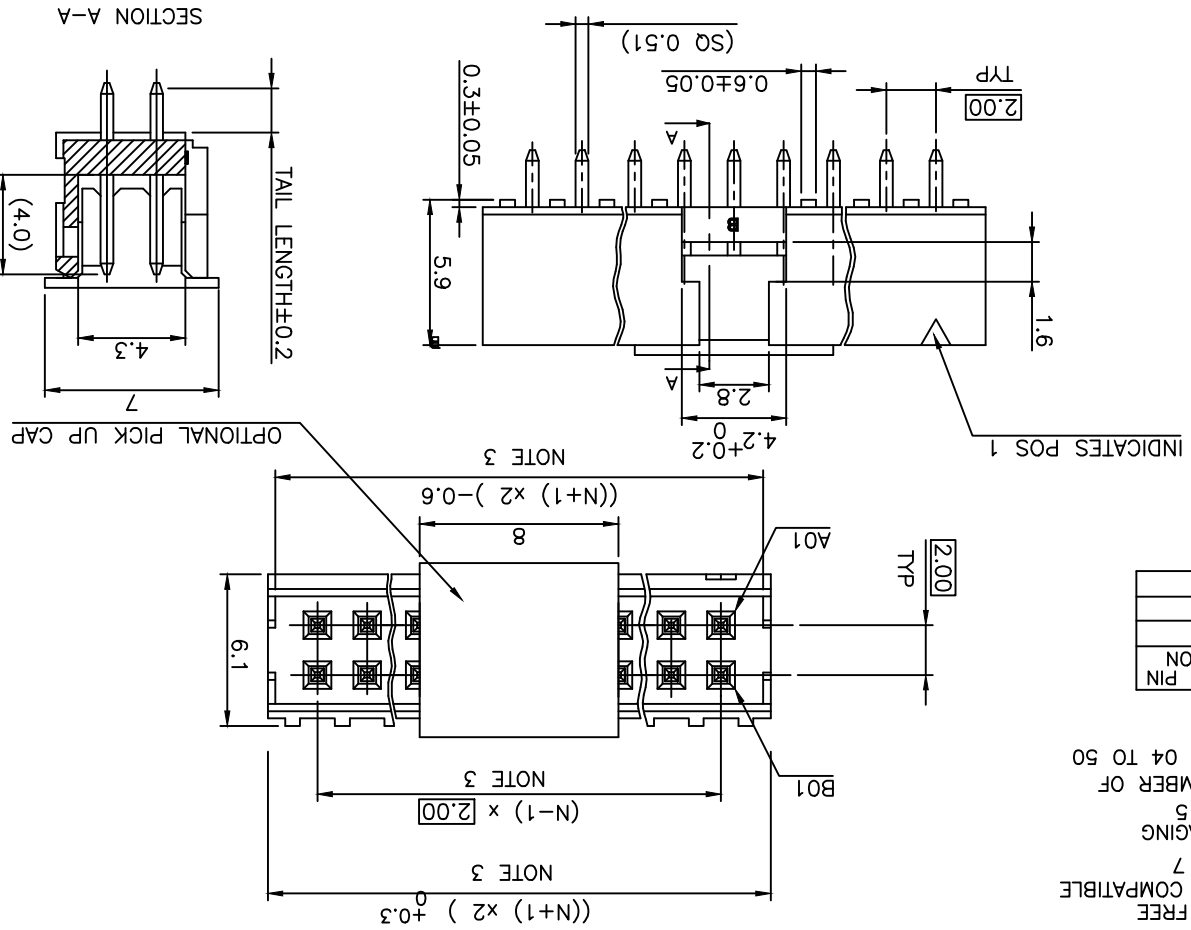
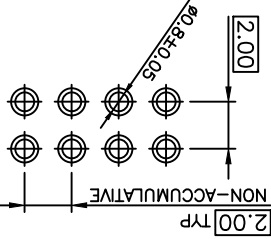
OR REFLOW OVEN

c - LABELLING:

- MEETS PACKAGING SPECS AS PER GS-14-920

d - LEGAL STATEMENT: SEE GS-47-0004

RECOMMENDED 1.6mm THICK PCB LAYOUT  
AS PER TA-896



mat'l. code	ISO 1302	surface tolerance	ISO 1302	ISO 406	ISO 1101
litr ecn no	dr	date	tolerances unless otherwise specified	mm	projection
R F-23051	AMA	16.01.15	linear	x ±0.3	mm
S F-24837	AMA	16.08.29	angles	x ±0.15	mm
T F-24838	LMU	16.08.29	linear	xxx ±0.05	Scale 5:1
M B-20079	AMA	15.01.23	engr	J.COMPAIGNON	07.01.04
N B-20254	LMU	15.02.16	chr		
P B-21209	AMA	15.06.22	appd	J.M.C	07.01.04
sheet index	revision	T	B		

product family  
MINITEK

UNSHR. HEADER

2.00 mm VERTICAL PIP

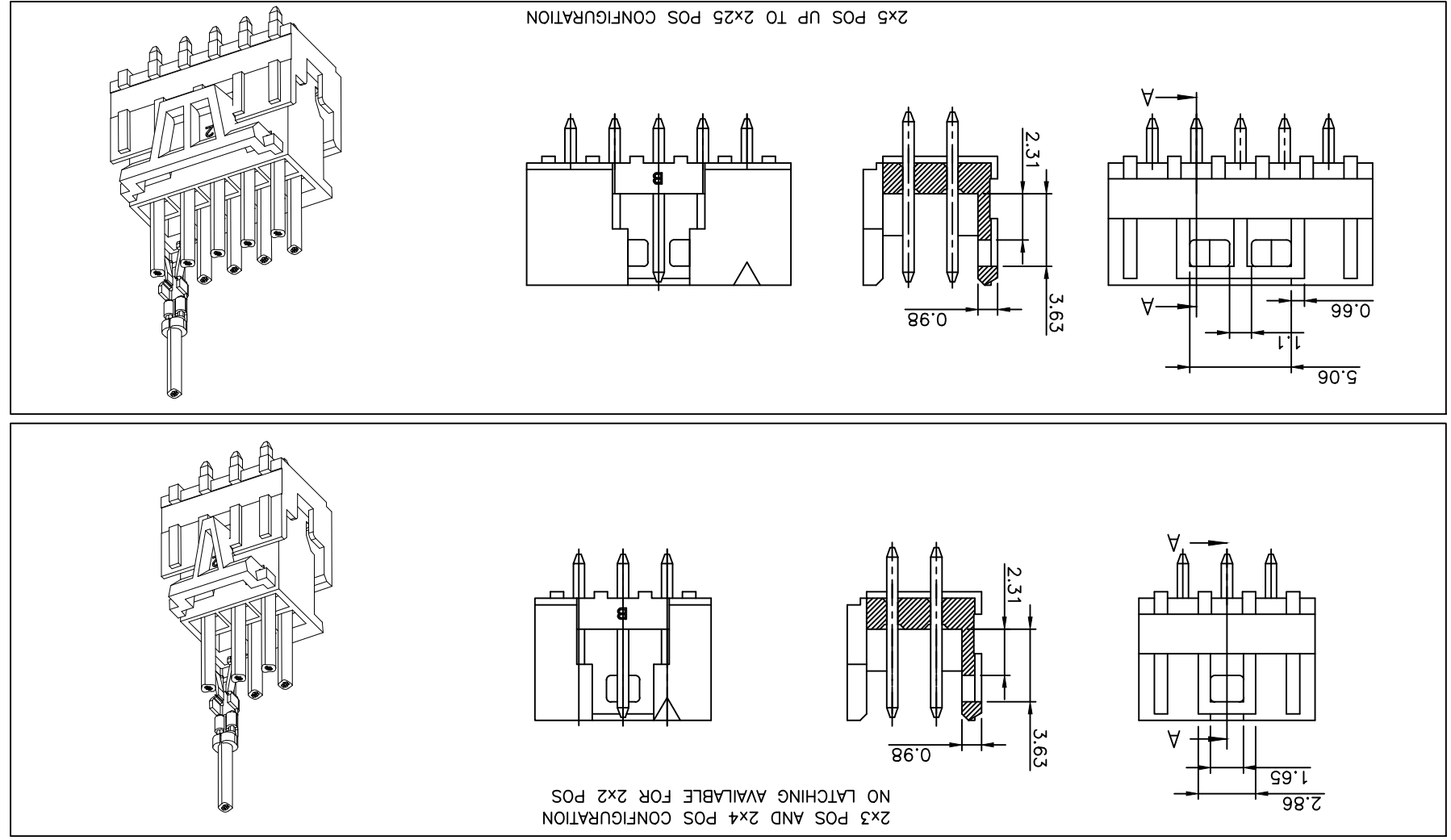
sheet 1 of 2 size

10075025

CUSTOMER

Drawing

# LATCHING FEATURES WHEN USED IN COMBINATION WITH ACTIVE LATCH HOUSING 10073599



mat'l. code		surface	ISO 1302	tolerance	ISO 406 ISO 1101	projection	product family	MINITEK
litr	ecn no	dr	date	tolerances unless otherwise specified			title	UNSHR. HEADER
	A	FO6-0113LMU	08.01.07	linear	.x #0.3	mm	scale	5:1
	B	B-17556 JCO	14.04.23	angles	xxx #0.05		UNSHR. HEADER	2.00 mm VERTICAL PIP
	dr	L MULIN	07.12.04	linear	.xx #0.15		UNSHR. HEADER	2.00 mm VERTICAL PIP
	engr	J.COMPAIGNON	07.12.04	linear	.xx #0.15		UNSHR. HEADER	2.00 mm VERTICAL PIP
	chr			linear	.xx #0.15		UNSHR. HEADER	2.00 mm VERTICAL PIP
	appd	J.M.C	07.12.04	linear	.xx #0.15		UNSHR. HEADER	2.00 mm VERTICAL PIP
sheet	revision			linear	.xx #0.15		UNSHR. HEADER	2.00 mm VERTICAL PIP
index	sheet			linear	.xx #0.15		UNSHR. HEADER	2.00 mm VERTICAL PIP

6	5	4	3	2	1
---	---	---	---	---	---

6	5	4	3	2	1
---	---	---	---	---	---

## X-ON Electronics

Largest Supplier of Electrical and Electronic Components

*Click to view similar products for [Headers & Wire Housings](#) category:*

*Click to view products by [Amphenol](#) manufacturer:*

Other Similar products are found below :

[95000-104TRLF](#) [10135584-644402LF](#) [DF62W-EP2022PCA](#) [95000-106TRLF](#) [DF62W-2022SCA](#) [DF62W-EP2022PC](#) [2203348](#) [DF62W-2022SC](#) [1084018](#) [1029039](#) [1084017](#) [802-10-012-10-002000](#) [1112640](#) [1112639](#) [000-34000](#) [0009482033](#) [0009507031](#) [57102-S06-03LF](#) [57202-S52-04LF](#) [PCN6-15S-2.5E](#) [0039019024](#) [58102-G61-06LF](#) [582553-1](#) [0009485154](#) [0009508121](#) [0022285053](#) [0050291907](#) [018731A](#) [LY20-4P-DT1-P1E-BR](#) [02.125.8002.8](#) [60101931](#) [60598-1 \(Cut Strip\)](#) [M1625-3R/100](#) [61062-3](#) [61082-181009](#) [636-1427](#) [638009-1](#) [641938-9](#) [641991-4](#) [644168-1](#) [647662-1](#) [65039-019ELF](#) [65817-002LF](#) [65817-015LF](#) [65863-015LF](#) [66207-023LF](#) [67016-026LF](#) [67046-001LF](#) [67095-007LF](#) [67230-005LF](#)