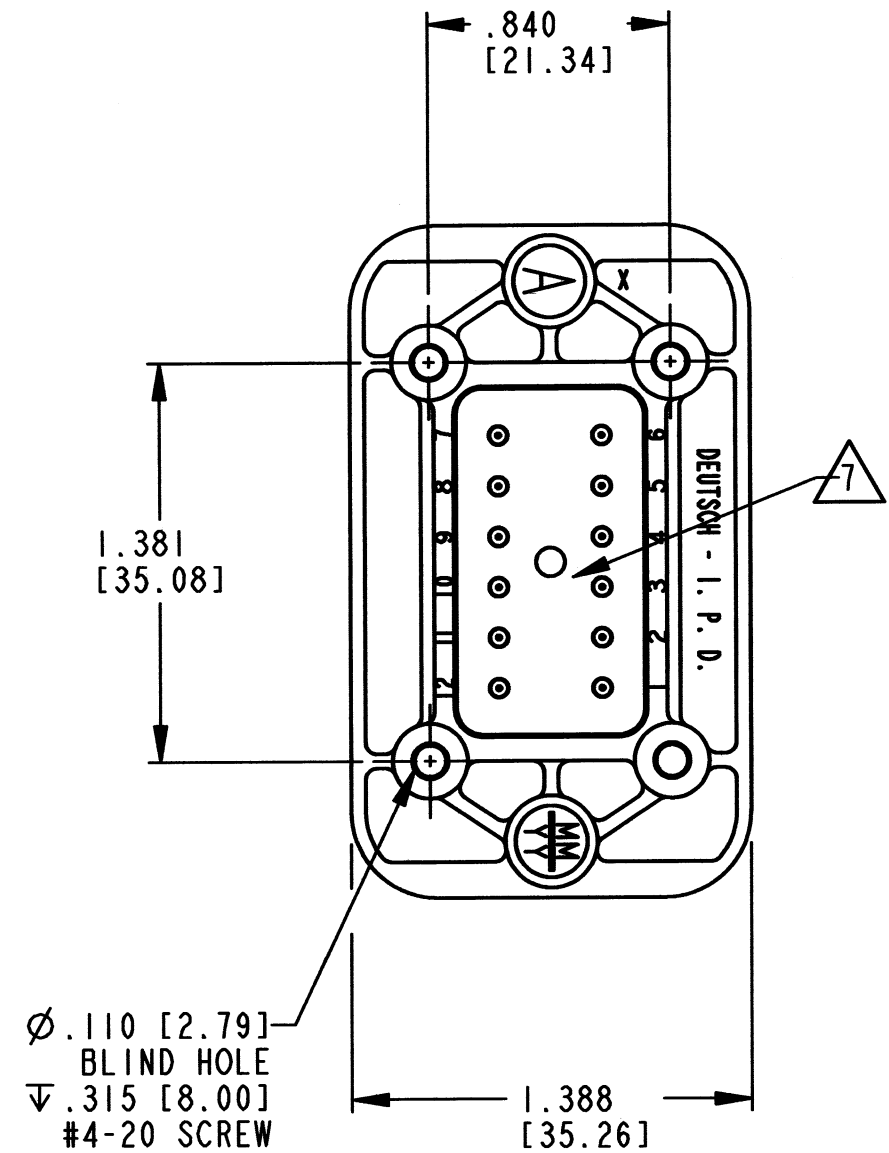
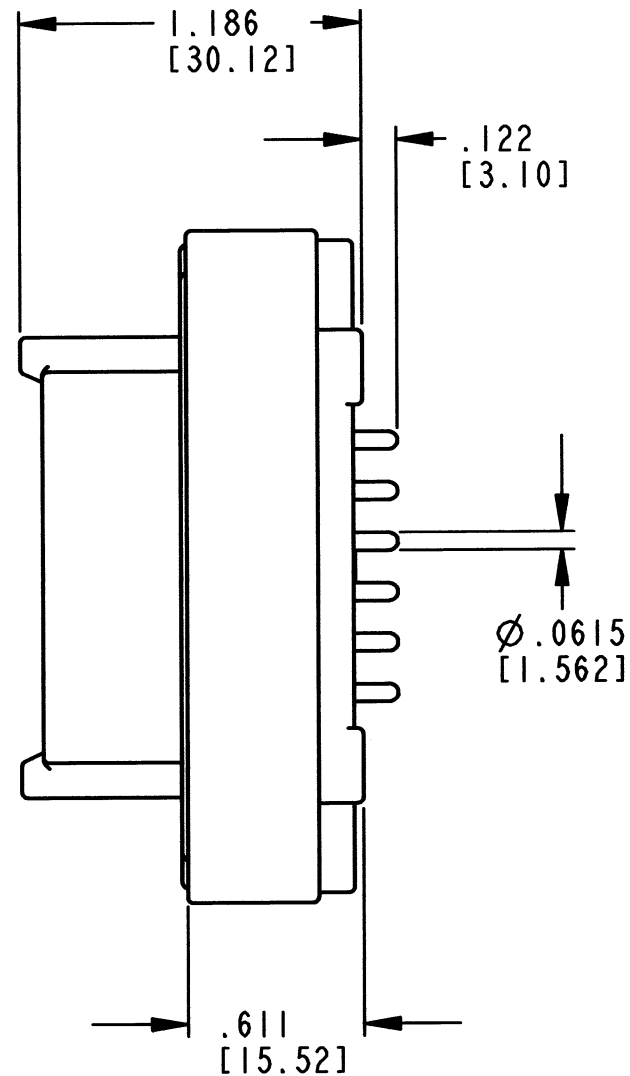
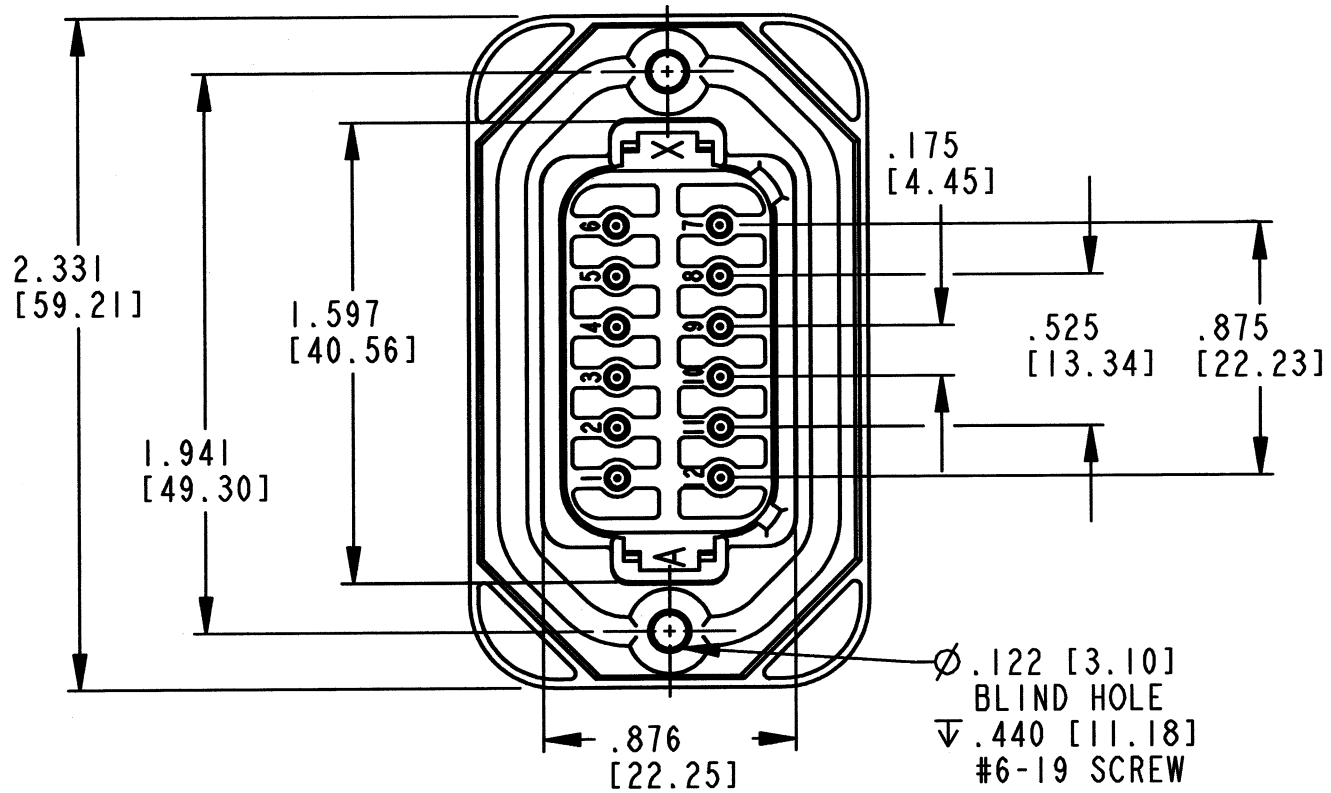


3D VIEW

REV		REVISIONS		
SYM	DESCRIPTION	DATE	APPROVED	
B	DT15-12P*-B028			
NC	NEW RELEASE PER E.O. P18982	5/17/06	RDR	
A	REVISION PER E.O. P19381	10/10/06	RDR	
B	REVISION PER E.O. P21100	8-29-11	RDR	



7. THIS CONNECTOR WILL WITHSTAND 5 P.S.I. APPLICATIONS.
6. RECOMMENDED TORQUE VALUES ARE AS FOLLOWS: #6-19 SCREWS: 10-20 IN LB. [1.13-2.26 N-m]
#4-20 SCREWS: 6-10 IN LB. [0.68-1.13 N-m]
5. MOUNTING HOLES WILL ACCEPT CAMCAR PLASTITE SELF THREAD SCREWS (NOT INCLUDED). EXAMPLE: #6-19, #4-20.
4. SHELL MATERIAL: PLASTIC; FLANGE SEAL MATERIAL: RUBBER.
3. THIS RECEPTACLE MATES WITH DT06-12S* PLUG -****- ALL MODIFICATIONS.
2. DIMENSION TOLERANCE: ±.025 [.64], (PIN SPACING ±.005 [.127], CONTACT DIAMETER ±.002 [.051], PANEL CUTOUT ±.010 [.25]).

NOTES: 1. DIMENSIONS ARE IN INCHES [mm].

SIGNATURE & DATE	
DR	A. MALAGON 12/09/05
CHK	B. Byford 8/29/2011
PE	Chiken 8/29/11
APPD	S. Boudreau
SCALE	NONE WT

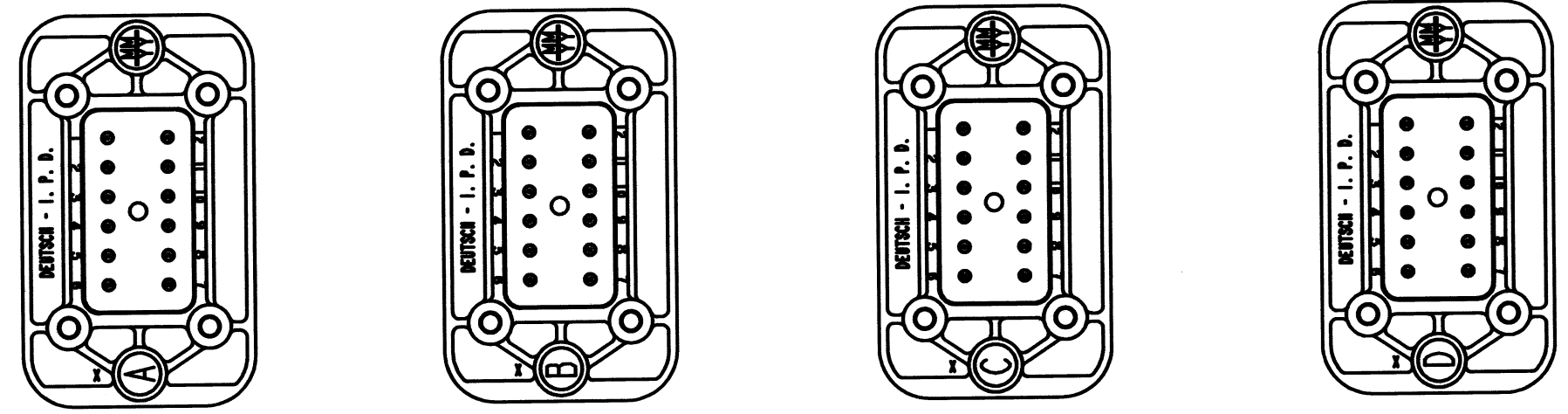
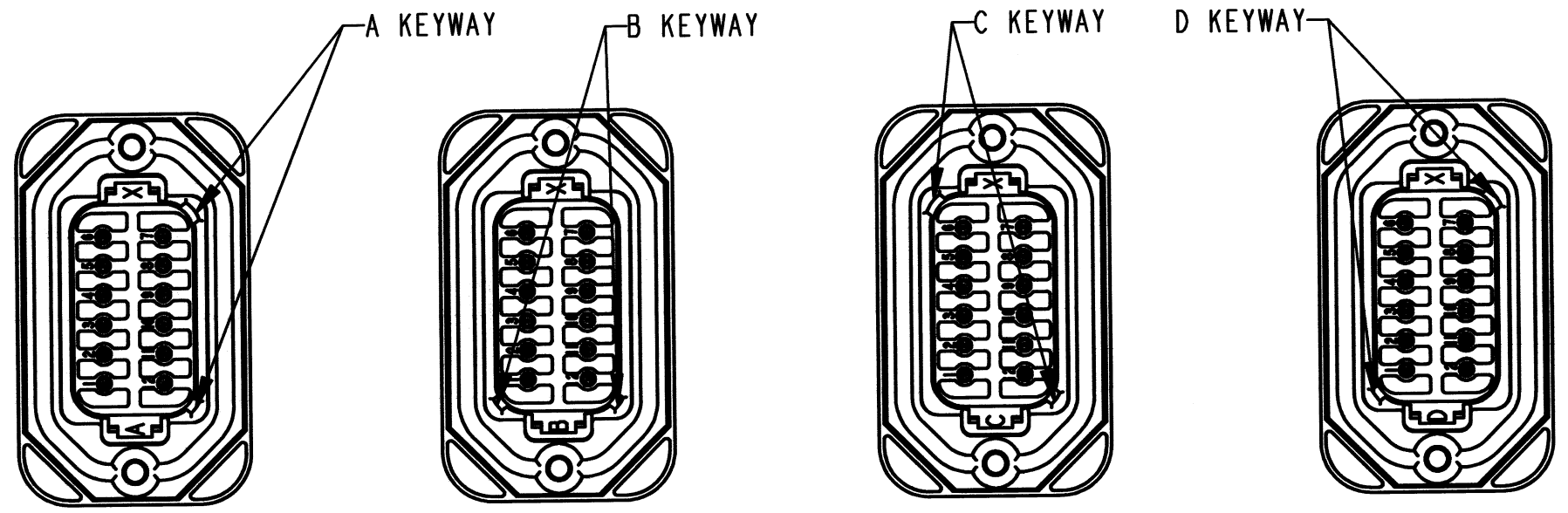
**RECEPTACLE FOR
PC BOARD
-B028 MOD
DT SERIES**

ENVELOPE

EP	MATL. CODE
	3850 INDUSTRIAL AVE. HEMET, CA 92545
DEUTSCH INDUSTRIAL	
B DT15-12P*-B028	
DWG SIZE	CODE 11139 SHEET 1 OF 2

REV
B DT15-12P*-B028

REVISIONS			
SYM	DESCRIPTION	DATE	APPROVED
B	SEE SHEET ONE	8-29-11	RDA

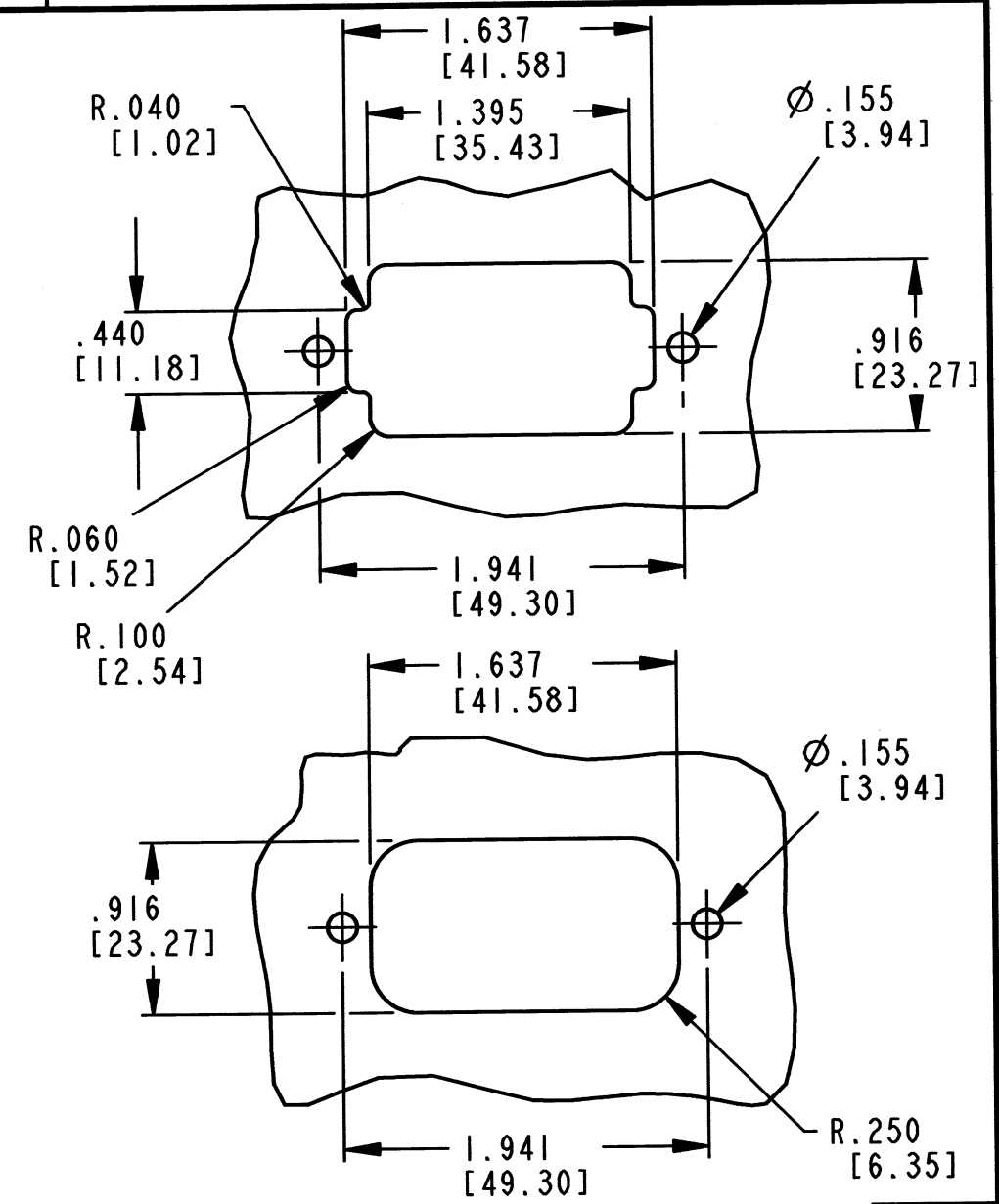


DT15-12PA-B028
COLOR GREY

DT15-12PB-B028
COLOR BLACK

DT15-12PC-B028
COLOR GREEN

DT15-12PD-B028
COLOR BROWN



NOTES:

SIGNATURE & DATE	
DR	A. MALAGON 7/21/05
CHK	B. Byrd 8/29/2011
PE	Arden 8/29/11
APPD	S. Bauer 8/29/11
SCALE	NONE WT

**RECEPTACLE FOR
PC BOARD
-B028 MOD
DT SERIES**

ENVELOPE

EP	MATL. CODE
3850 INDUSTRIAL AVE. HEMET, CA 92545 DEUTSCH INDUSTRIAL	
B DT15-12P*-B028	
DWG SIZE	SHEET 2 OF 2
CODE 11139	

X-ON Electronics

Largest Supplier of Electrical and Electronic Components

Click to view similar products for [Automotive Connectors](#) category:

Click to view products by [TE Connectivity](#) manufacturer:

Other Similar products are found below :

[003-018-000](#) [600858](#) [60403001](#) [60993906-B](#) [60993913-B](#) [629515004020001](#) [M902-2131](#) [M902-2161](#) [M902-2344](#) [72.330.1035.1](#)
[73.353.4028.0](#) [F118010](#) [F119300-B](#) [F132210](#) [F132210-B](#) [F166900](#) [F180100](#) [F258300](#) [F258300-B](#) [F294300-B](#) [F339100](#) [F339700](#) [F358300-](#)
[B](#) [F374110](#) [F407400](#) [F412210](#) [F427600](#) [F444110](#) [F487000](#) [F495100-B](#) [F500900-B](#) [F509500B-B](#) [770444-1](#) [776880-1](#) [827153-1](#) [881735-1](#)
[8N1515-32-24P](#) [9-1326729-8](#) [925467-1](#) [925474-1](#) [928905-1](#) [936398-2](#) [964562-1](#) [964562-4](#) [964731-2](#) [965051-1](#) [968782-1](#) [GT17SA-8DS-](#)
[HU](#) [GT17VS-10DP-5.2CF](#) [98315-0001](#)