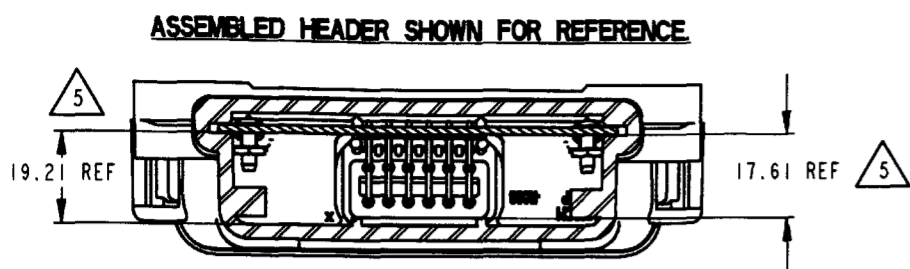
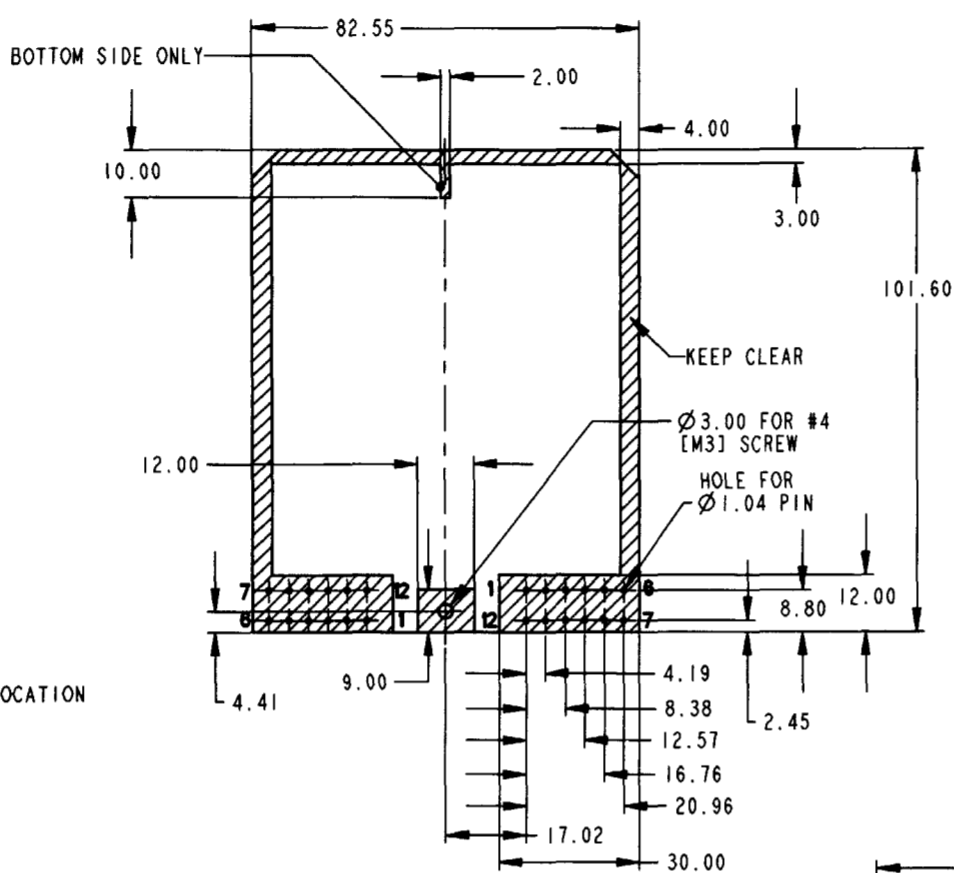


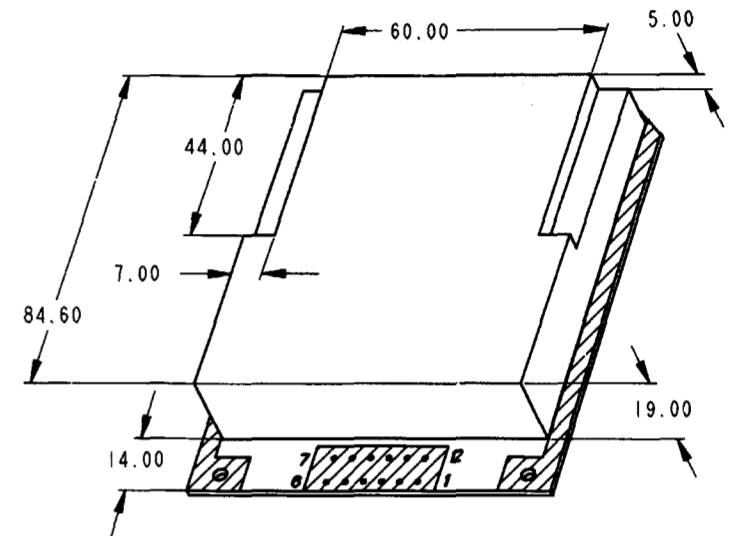
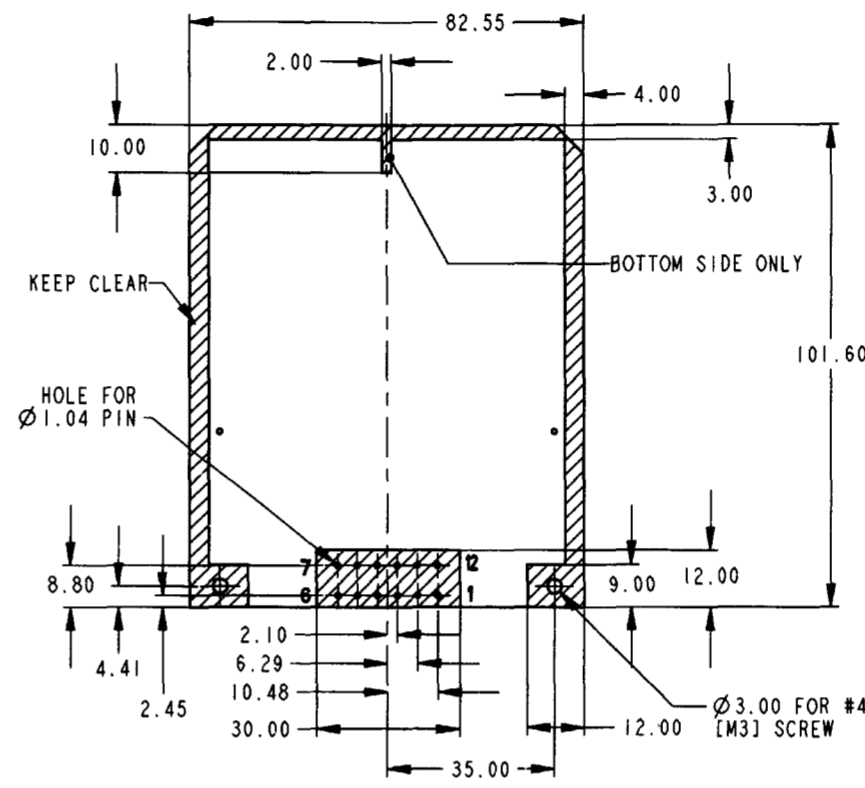
| REV NC |                          | REVISIONS |                    |  |  |
|--------|--------------------------|-----------|--------------------|--|--|
| SYM    | DESCRIPTION              | DATE      | APPROVED           |  |  |
| NC     | RELEASED PER E.O. P18244 | 7/16/03   | <i>[Signature]</i> |  |  |
|        |                          |           |                    |  |  |



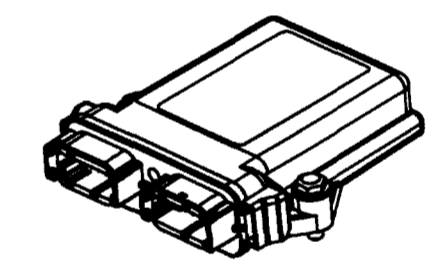
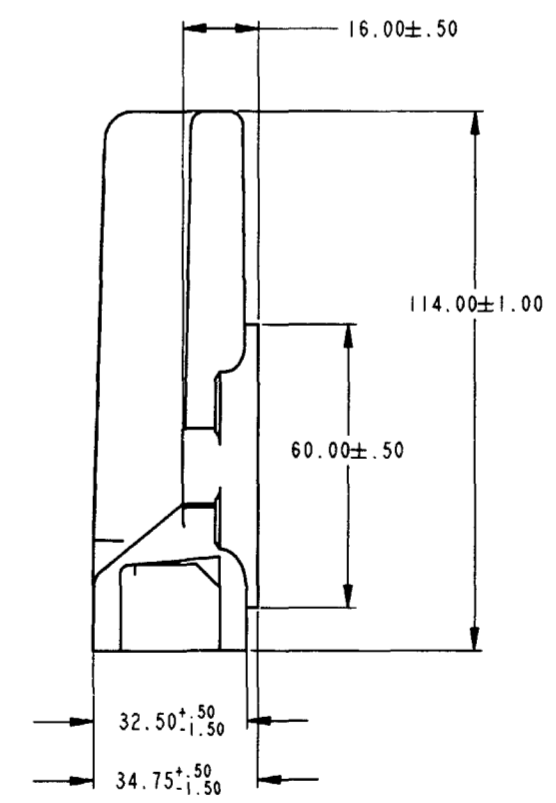
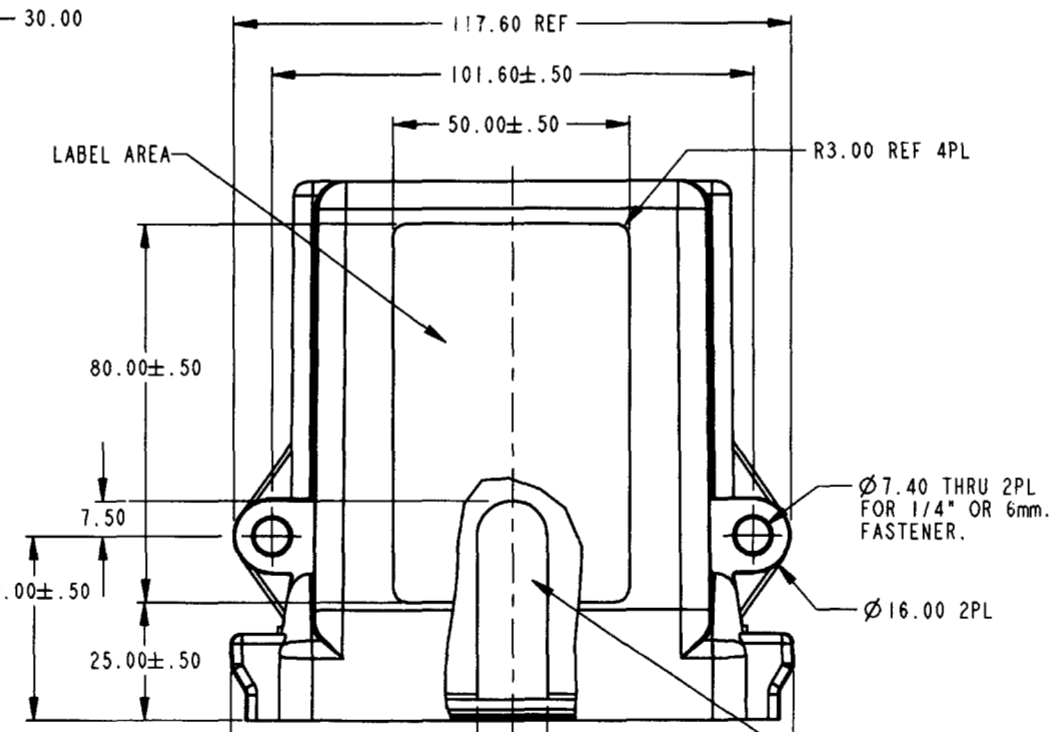
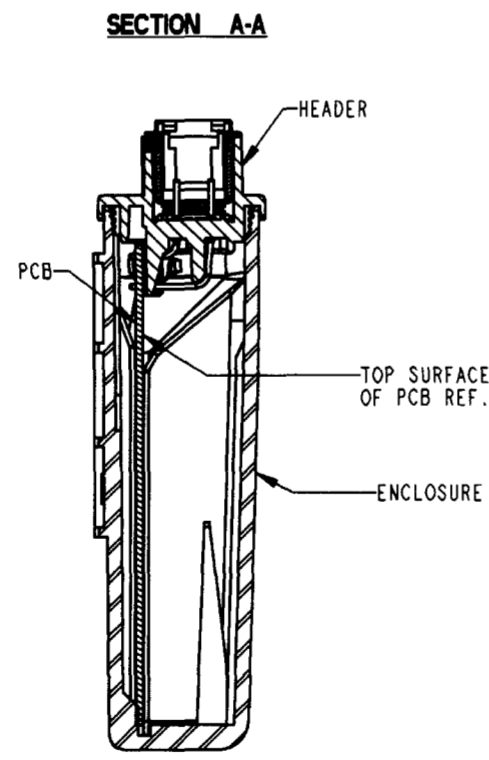
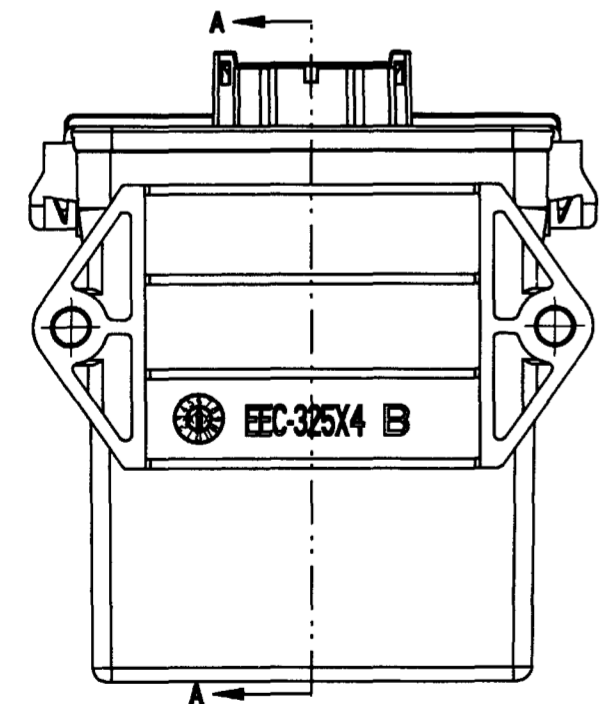
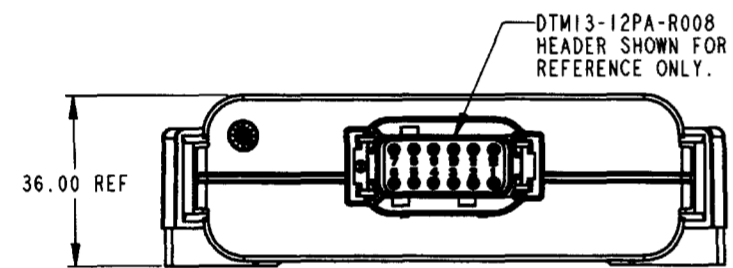
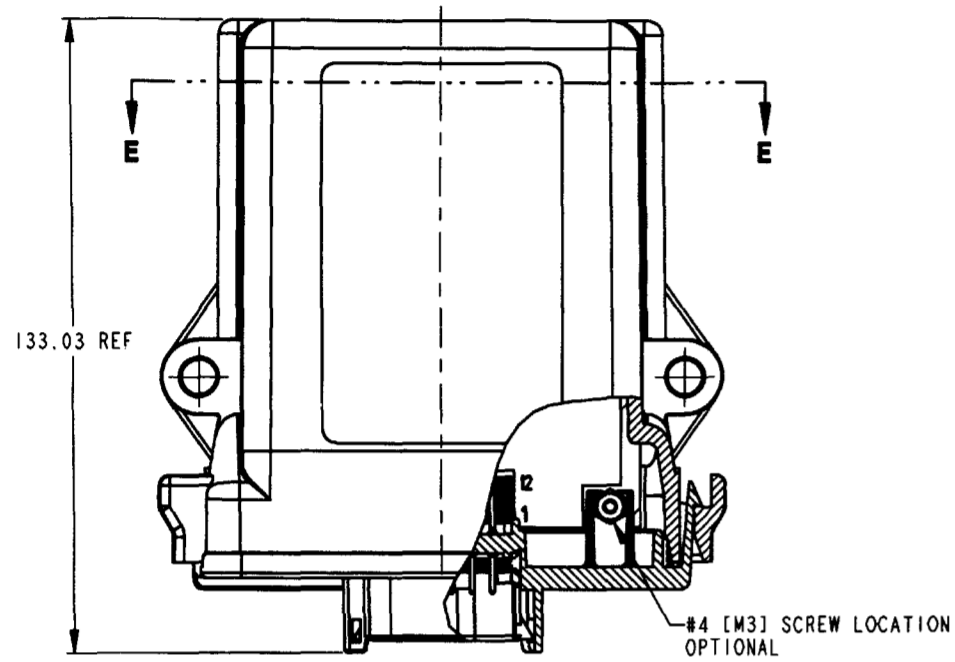
**CIRCUIT BOARD HOLE LOCATIONS AND KEEP CLEAR AREAS FOR**  
DTM13-12P\*-12P\*-R008  
DTM13-12P\*-12P\*-GR01  
ALL DIMENSIONS REFERENCE  
TOP VIEW



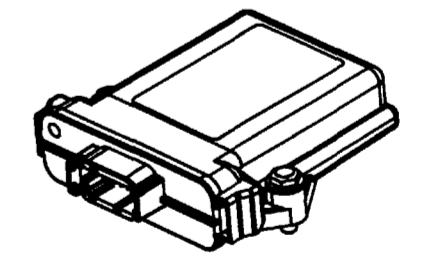
**CIRCUIT BOARD HOLE LOCATIONS AND KEEP CLEAR AREAS FOR**  
DTM13-12P\*-R008  
DTM13-12P\*-GR01  
ALL DIMENSIONS REFERENCE  
TOP VIEW



**THREE DIMENSIONAL SPACE LIMIT**  
APPROXIMATE INTERNAL SPACE FOR COMPONENT SPACE LAYOUT  
MAX. COMPONENT HEIGHT UNDER BOARD 3.00 mm.



**3D VIEW**  
DTM13-12P\*-12P\*-R008 AND  
DTM13-12P\*-12P\*-GR01 HEADER AND MOUNTING  
HARDWARE SHOWN FOR REFERENCE



**3D VIEW**  
DTM13-12P\*-R008 AND  
DTM13-12P\*-GR01 HEADER AND MOUNTING  
HARDWARE SHOWN FOR REFERENCE

5. MAXIMUM COMPONENT HEIGHT DEPENDS ON LOCATION DUE TO PART DRAFT AND RIBS.
4. THIS ENCLOSURE MATES WITH DTM13-12P\*-R008 (Ni PINS); DTM13-12P\*-GR01 (Au PINS); DTM13-12P\*-12P\*-R008 (Ni PINS); DTM13-12P\*-12P\*-GR01 (Au PINS) HEADERS. (\*=A,B,C,D KEYS).
3. ENCLOSURE MATERIAL: ULTEM NATURAL
2. ALL DIMENSIONS ARE +/- .25 UNLESS OTHERWISE SPECIFIED.
1. ALL DIMENSIONS ARE METRIC.

| SIGNATURE & DATE |                            |
|------------------|----------------------------|
| DR               | M. GONZALEZ 7/15/03        |
| CHK              | <i>[Signature]</i>         |
| PE               | <i>[Signature]</i> 7/15/03 |
| APPD             | <i>[Signature]</i> 7/15/03 |
| SCALE            | 1X WT                      |

PCB ENCLOSURE SHOWN WITH  
12 AND 24 PIN HEADER  
DTM SERIES

| EP                     | MATL. CODE        |
|------------------------|-------------------|
| The Deutch Company     |                   |
| DEUTSCH I.P.D.         |                   |
| 3850 INDUSTRIAL AVE.   |                   |
| HEWET, CALIF. 92545    |                   |
| <b>EEC-325X4B-E016</b> |                   |
| DWG SIZE               | CODE SHEET 1 OF 1 |

ENVELOPE

## X-ON Electronics

Largest Supplier of Electrical and Electronic Components

*Click to view similar products for [Automotive Connectors](#) category:*

*Click to view products by [TE Connectivity](#) manufacturer:*

Other Similar products are found below :

[003-018-000](#) [600858](#) [60403001](#) [60993906-B](#) [60993913-B](#) [629515004020001](#) [M902-2131](#) [M902-2161](#) [M902-2344](#) [72.330.1035.1](#)  
[73.353.4028.0](#) [F118010](#) [F119300-B](#) [F132210](#) [F132210-B](#) [F166900](#) [F180100](#) [F258300](#) [F258300-B](#) [F294300-B](#) [F339100](#) [F339700](#) [F358300-](#)  
[B](#) [F374110](#) [F407400](#) [F412210](#) [F427600](#) [F444110](#) [F487000](#) [F495100-B](#) [F500900-B](#) [F509500B-B](#) [770444-1](#) [776880-1](#) [827153-1](#) [881735-1](#)  
[8N1515-32-24P](#) [9-1326729-8](#) [925467-1](#) [925474-1](#) [928905-1](#) [936398-2](#) [964562-1](#) [964562-4](#) [964731-2](#) [965051-1](#) [968782-1](#) [GT17SA-8DS-](#)  
[HU](#) [GT17VS-10DP-5.2CF](#) [98315-0001](#)