

### GENERAL SPECIFICATIONS FOR SW3000s

Toggles

Rockers

Pushbuttons

Illuminated PB

Programmable

Keylocks

Rotaries

Slides

Tactiles

Tilt

Touch

Indicators

Accessories

Supplement

#### B Electrical Capacity (Resistive & Inductive Load)

**Power Level:** Shown in the following tables

#### Other Rating

- Contact Resistance:** 10 milliohms maximum
- Insulation Resistance:** 1,000 megohms minimum @ 500V DC
- Dielectric Strength:** 2,000V AC minimum for 1 minute minimum
- Mechanical Life:** 30,000 operations minimum
- Electrical Life:** 10,000 operations minimum
- Angle of Throw ( $\alpha$ ):** Shown on drawings or following tables

#### Materials & Finishes

- Rocker:** Urea resin; all rockers are white.
- Mounting Frame:** Steel with chromate plating over zinc plating
- Case Cover/Insulator:** Phenolic resin
- Case:** Melamine phenol
- Movable Contactor Plate:** Copper with silver plating
- Movable & Stationary Contacts:** Silver alloy plus copper with silver plating
- Terminals:** Copper with tin plating

#### Environmental Data

- Operating Temp Range:** -10°C through +70°C (+14°F through +158°F)
- Sealing:** Dustproof cover of silicone rubber on SW3006A, SW3007A, & SW3008A

#### Installation

- Maximum Panel Thickness:** Shown with following drawings
- Soldering Time & Temperature:** Manual Soldering: See Profile A in Supplement section.

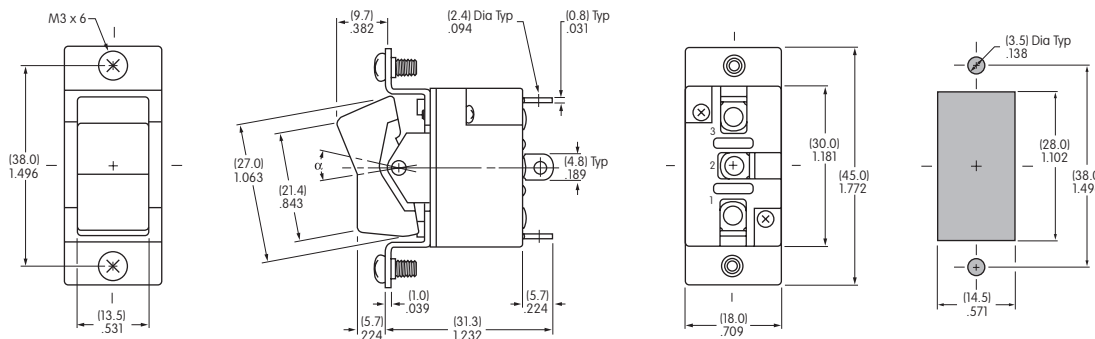
#### Standards & Certifications

- UL: File No. E44145 - Recognized only when ordered with marking on switch.**  
Add "/U" or "/CUL" to end of part number to order UL recognized switch.  
UL or cULus recognition designated beside part numbers on following pages.  
See Supplement section to find UL or cULus rating details.
- CSA: File No. 023535\_0\_000 - Certified only when ordered with marking on switch.**  
Add "/C" to end of part number to order CSA certified switch.  
CSA certification designated beside part numbers on following pages.  
See Supplement section to find CSA rating details.

## SINGLE POLE WITH SOLDER LUG

| * UL & CSA recognized only when ordered with marking on switch (see General Specs) |             | Rocker Position/Connected Terminals |      |      |     |        |     | Electrical Capacity |           |         |           |                              |                |
|--|-------------|-------------------------------------|------|------|-----|--------|-----|---------------------|-----------|---------|-----------|------------------------------|----------------|
| Model  | * Approvals |                                     | Pole | Down |     | Center | Up  |                     | Resistive |         | Inductive | $\alpha =$<br>Angle of Throw |                |
|  |             |                                     |      |      |     |        |     |                     | AC 125V   | AC 250V | DC 30V    |                              | AC 125V PF 0.6 |
| SW3001A  | ✓           | ✓                                   | SPST | ON   | 1-3 | NONE   | OFF | —                   | 15A       | 6A      | 15A       | 10A                          | 24°            |
| SW3002A  | ✓           | ✓                                   | SPDT | ON   | 2-3 | NONE   | ON  | 2-1                 | 15A       | 6A      | 15A       | 10A                          | 24°            |
| SW3003A  | ✓           | ✓                                   | SPDT | ON   | 2-3 | OFF    | ON  | 2-1                 | 15A       | 6A      | 15A       | 10A                          | 28°            |

**Throw & Schematics:** SPST INTERNAL CONNECTION Note: Terminal numbers are actually on the switch.



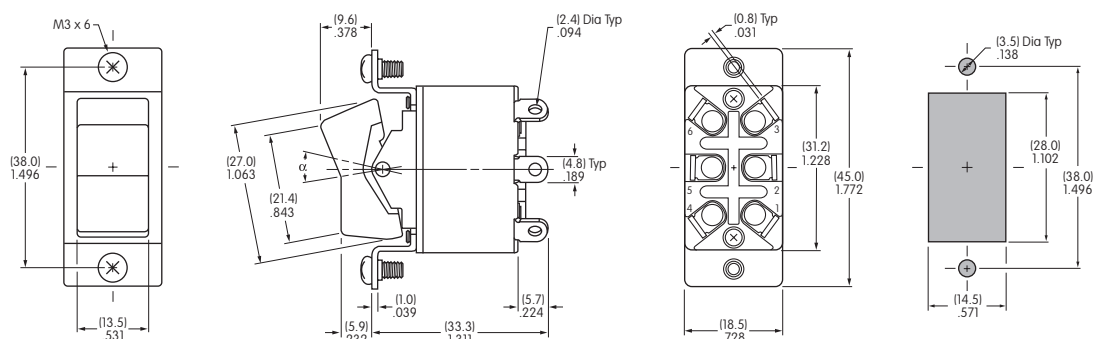
Maximum Effective Panel Thickness:

SW3001A does not have terminal 2. .197" (5.0mm) for SW3001A & SW3002A models; .177" (4.5mm) for SW3003A models **SW3001A**

## DOUBLE POLE WITH SOLDER LUG

| * UL, cULus & CSA recognized only when ordered with marking on switch (see General Specs) |             | Rocker Position/Connected Terminals ( ) = Momentary |   |      |      |         |        | Electrical Capacity |         |           |         |           |                              |                |
|---|-------------|---|---|------|------|---------|--------|---------------------|---------|-----------|---------|-----------|------------------------------|----------------|
| Model   | * Approvals |   |   | Pole | Down |         | Center | Up                  |         | Resistive |         | Inductive | $\alpha =$<br>Angle of Throw |                |
|   |             |   |   |      |      |         |        |                     |         | AC 125V   | AC 250V | DC 30V    |                              | AC 125V PF 0.6 |
| SW3006A   | ✓           | ✓   | ✓ | DPDT | ON   | 2-3 5-6 | NONE   | ON                  | 2-1 5-4 | 20A       | 10A     | 20A       | 10A                          | 24°            |
| SW3007A   | —           | —   | ✓ | DPDT | ON   | 2-3 5-6 | OFF    | ON                  | 2-1 5-4 | 15A       | 6A      | 15A       | 10A                          | 28°            |
| SW3008A   | —           | —   | — | DPDT | (ON) | 2-3 5-6 | OFF    | (ON)                | 2-1 5-4 | 15A       | 6A      | 15A       | 10A                          | 24°            |

**Throw & Schematic:** DPDT Note: Terminal numbers are actually on the switch.



Maximum Effective Panel Thickness:

.197" (5.0mm) for SW3006A & SW3008A models; .177" (4.5mm) for SW3007A models **SW3006A**

## GENERAL SPECIFICATIONS FOR SW3800s

Toggle

Rockers

Pushbuttons

Illuminated PB

Programmable

Keylocks

Rotaries

Slides

Tactiles

Tilt

Touch

Indicators

Accessories

Supplement

### B Electrical Capacity (Resistive & Inductive Load)

**Power Level:** Shown in the following tables  
 Note: See Supplement section for details of design for inductive DC loads.

### Other Ratings

**Contact Resistance:** 10 milliohms maximum  
**Insulation Resistance:** 1,000 megohms minimum @ 500V DC  
**Dielectric Strength:** 2,000V AC minimum for 1 minute minimum  
**Mechanical Life:** 50,000 operations minimum  
**Electrical Life:** 25,000 operations minimum  
**Angle of Throw:** Shown on following drawings  
**Nominal Operating Force:** 1,800 grams for SW3822  
 2,200 grams for SW3823 Off to On  
 800 grams for SW3823 On to Off

### Materials & Finishes

**Rocker:** Urea resin; all rockers are white.  
**Mounting Frame:** Steel with chromate plating over zinc plating  
**Case Cover/Insulator:** Phenolic resin  
**Case:** Melamine phenol  
**Movable Contacts:** Copper with silver plating  
**Stationary Contacts:** Silver alloy plus copper with silver plating  
**Terminals:** Brass (terminal screws of brass with nickel plating)

### Environmental Data

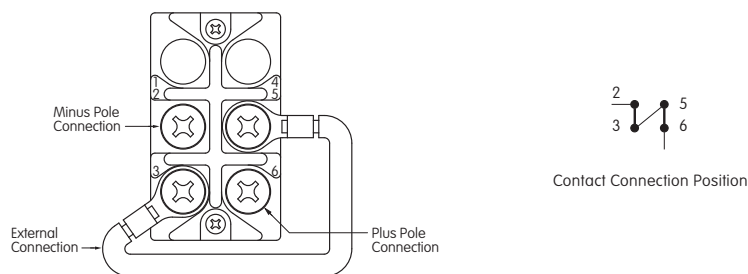
**Operating Temp Range:** -10°C through +70°C (+14°F through +158°F)

### Standards & Certifications

**UL:** **File No. E44145 - Recognized only when ordered with marking on switch.**  
 Add "/U" or "/CUL" to end of part number to order UL recognized switch.  
 UL or cULus recognition designated beside part numbers on following pages.  
 See Supplement section to find UL or cULus rating details.

**CSA:** **File No. 023535\_0\_000 - Certified only when ordered with marking on switch.**  
 Add "/C" to end of part number to order CSA certified switch.  
 CSA certification designated beside part numbers on following pages.  
 See Supplement section to find CSA rating details.

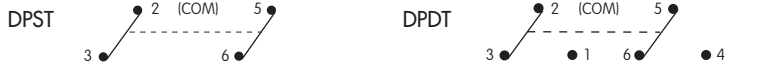
### Wiring for SW3821D with Electrical Capacity of DC400V 10A



## DOUBLE POLE WITH SCREW LUG

| Model   | *Approvals<br>UL, cULus, CSA |   |   | Rocker Position/Connected Terminals |         |         |        |        |         | Electrical Capacity |         |                |                |           |     |          |     |     |
|---------|------------------------------|---|---|-------------------------------------|---------|---------|--------|--------|---------|---------------------|---------|----------------|----------------|-----------|-----|----------|-----|-----|
|         |                              |   |   | Pole                                | Down    |         | Center | Up     |         | Resistive           |         |                |                | Inductive |     |          |     |     |
|         |                              |   |   |                                     | AC 125V | AC 250V | DC 30V | DC 48V | DC 125V | DC 250V             | DC 400V | AC 125V PF 0.6 | AC 250V PF 0.6 |           |     |          |     |     |
| SW3821  | ✓                            | ✓ | ✓ | DPST                                | ON 2-3  | 5-6     | NONE   | OFF    | —       | 30A                 | 30A     | 30A            | —              | 1A        | —   | —        | 30A | 15A |
| SW3822  | ✓                            | ✓ | ✓ | DPDT                                | ON 2-3  | 5-6     | NONE   | ON 2-1 | 5-4     | 30A                 | 30A     | 30A            | —              | 1A        | —   | —        | 30A | 15A |
| SW3823  | ✓                            | ✓ | ✓ | DPDT                                | ON 2-3  | 5-6     | OFF    | ON 2-1 | 5-4     | 30A                 | 30A     | 30A            | —              | 1A        | —   | —        | 30A | 15A |
| SW3821D | ✓                            | ✓ | ✓ | DPST                                | ON 2-3  | 5-6     | NONE   | OFF    | —       | —                   | —       | 30A            | 30A            | 20A       | 15A | 4A (10A) | —   | —   |
| SW3822D | ✓                            | ✓ | ✓ | DPDT                                | ON 2-3  | 5-6     | NONE   | ON 2-1 | 5-4     | —                   | —       | 30A            | 30A            | 20A       | 15A | 4A       | —   | —   |
| SW3823D | ✓                            | ✓ | ✓ | DPDT                                | ON 2-3  | 5-6     | OFF    | ON 2-1 | 5-4     | —                   | —       | 30A            | 30A            | 15A       | —   | —        | —   | —   |

Throw & Schematics:

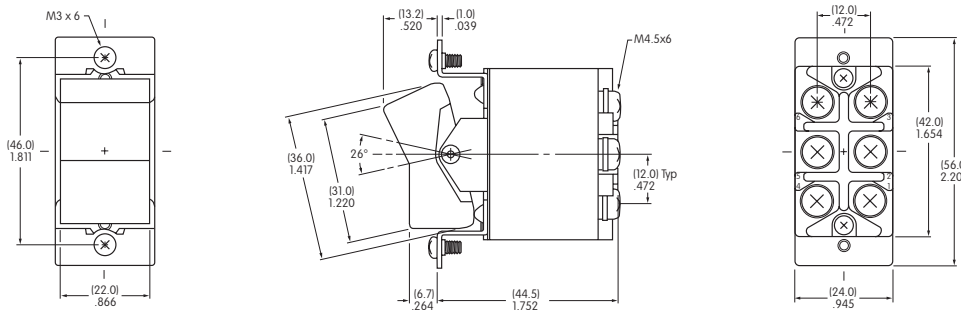


Note: Terminal numbers are actually on the switch.

\* UL/CUL & CSA for the following ratings: UL/CUL: 30A @ 30V DC, 15A @ 125V DC; CSA: 30A @ 30V DC, 15A @ 125V DC

\* UL, cULus & CSA recognized only when ordered with marking on switch (see General Specs)

( ) capacity is due to series wiring, see General Specifications page.



SW3821 & SW3821D do not have terminals 1 & 4.

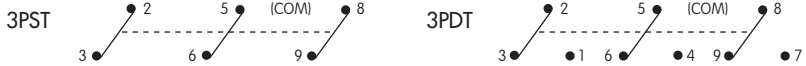
Maximum Effective Panel Thickness .177" (4.5mm). Panel cutout shown below.

SW3822

## THREE POLE WITH SCREW LUG

| Model   | *Approvals<br>UL, cULus, CSA |   |   | Rocker Position/Connected Terminals |         |         |        |         |         | Electrical Capacity |                |                |     |           |     |     |     |
|---------|------------------------------|---|---|-------------------------------------|---------|---------|--------|---------|---------|---------------------|----------------|----------------|-----|-----------|-----|-----|-----|
|         |                              |   |   | Pole                                | Down    |         | Center | Up      |         | Resistive           |                |                |     | Inductive |     |     |     |
|         |                              |   |   |                                     | AC 125V | AC 250V | DC 30V | DC 125V | DC 250V | DC 400V             | AC 125V PF 0.6 | AC 250V PF 0.6 |     |           |     |     |     |
| SW3831  | ✓                            | ✓ | ✓ | 3PST                                | ON 2-3  | 5-6     | 8-9    | NONE    | OFF     | —                   | 30A            | 30A            | 30A | 1A        | 30A | 15A |     |
| SW3832  | ✓                            | ✓ | ✓ | 3PDT                                | ON 2-3  | 5-6     | 8-9    | NONE    | ON 2-1  | 5-4                 | 8-7            | 30A            | 30A | 30A       | 1A  | 30A | 15A |
| SW3833  | ✓                            | ✓ | ✓ | 3PDT                                | ON 2-3  | 5-6     | 8-9    | OFF     | ON 2-1  | 5-4                 | 8-7            | 30A            | 30A | 30A       | 1A  | 30A | 15A |
| SW3831D | ✓                            | ✓ | ✓ | 3PST                                | ON 2-3  | 5-6     | 8-9    | NONE    | OFF     | —                   | —              | —              | 30A | 15A       | —   | —   |     |
| SW3832D | ✓                            | ✓ | ✓ | 3PDT                                | ON 2-3  | 5-6     | 8-9    | NONE    | ON 2-1  | 5-4                 | 8-7            | —              | —   | 30A       | 15A | —   | —   |
| SW3833D | ✓                            | ✓ | ✓ | 3PDT                                | ON 2-3  | 5-6     | 8-9    | OFF     | ON 2-1  | 5-4                 | 8-7            | —              | —   | 30A       | 15A | —   | —   |

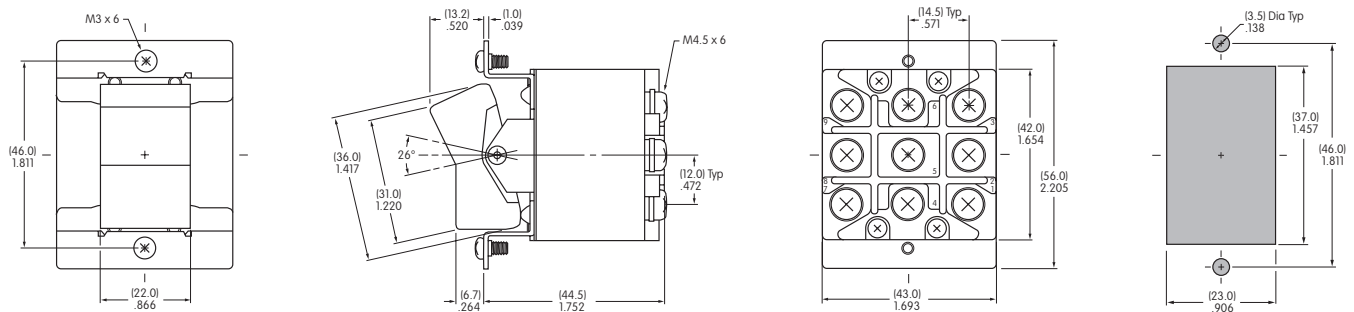
Throw & Schematics:



Note: Terminal numbers are actually on the switch.

\* UL/CUL & CSA for the following ratings: UL/CUL: 30A @ 30V DC, 15A @ 125V DC; CSA: 30A @ 30V DC, 15A @ 125V DC

\* UL, cULus & CSA recognized only when ordered with marking on switch (see General Specs)



SW3831 & SW3831D do not have terminals 1, 4 & 7.

Maximum Effective Panel Thickness .177" (4.5mm)

Toggles  
Rockers  
Pushbuttons  
Illuminated PB  
Programmable  
Keylocks  
Rotaries  
Slides  
Tactiles  
Tilt  
Touch  
Indicators  
Accessories  
Supplement

## X-ON Electronics

Largest Supplier of Electrical and Electronic Components

*Click to view similar products for [Rocker Switches](#) category:*

*Click to view products by [NKK Switches](#) manufacturer:*

Other Similar products are found below :

[VKD2GHNB-00000-000](#) [VSD2GNNB-00000-000](#) [6-1571986-5](#) [6-1571986-9](#) [7036WWCDBX653+U622](#) [8055K52Z7V](#) [8138K20E6M50](#)  
[FMC18A2200002](#) [84206L](#) [84312LX](#) [PREDD4-07F-BB0FW](#) [PREDD5-07F-BB0GW](#) [PRFDD1-16F-BB000](#) [PRFDD3-16F-BB000](#) [1-](#)  
[1634201-0](#) [999-16702-001](#) [A101J2ZQ004](#) [A101J4ZQ004](#) [A101J51CB0004](#) [A107J51ZQ0004](#) [A201J1AQ004](#) [A201J1AV2Q004](#)  
[A201J3ZB004](#) [A201J50ZQ004](#) [A203J51ZQ0004](#) [A226L11YZQ](#) [A22L11A](#) [A435S1YZQ](#) [H8500XBBBBL-A](#) [H8653VBBG2577W](#)  
[HB130CHNWWNAAC](#) [1251.0303](#) [AE205J60V3B004](#) [RH110C2NBB](#) [1352.0107](#) [1363.0201](#) [AML25GBF2AA03GR](#) [1571099-3](#) [1571987-4](#)  
[1571987-5](#) [1571989-7](#) [B123J77V7B2](#) [B226J50W4Q22P](#) [B433J37ZQ22M](#) [160212E](#) [1801.1164](#) [1831.1102](#) [1833.3402](#) [1837.1118](#) [1838.8302](#)