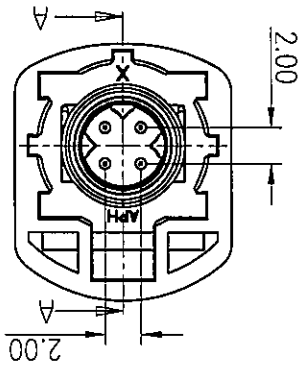
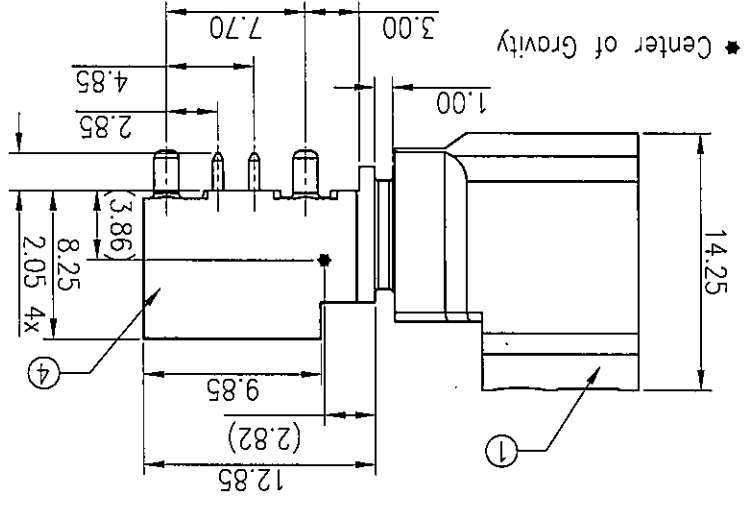
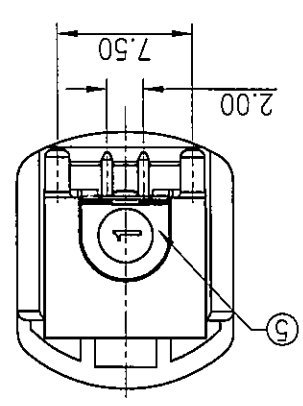
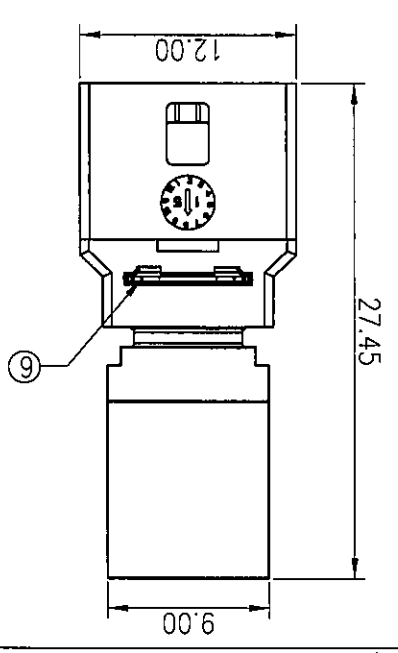
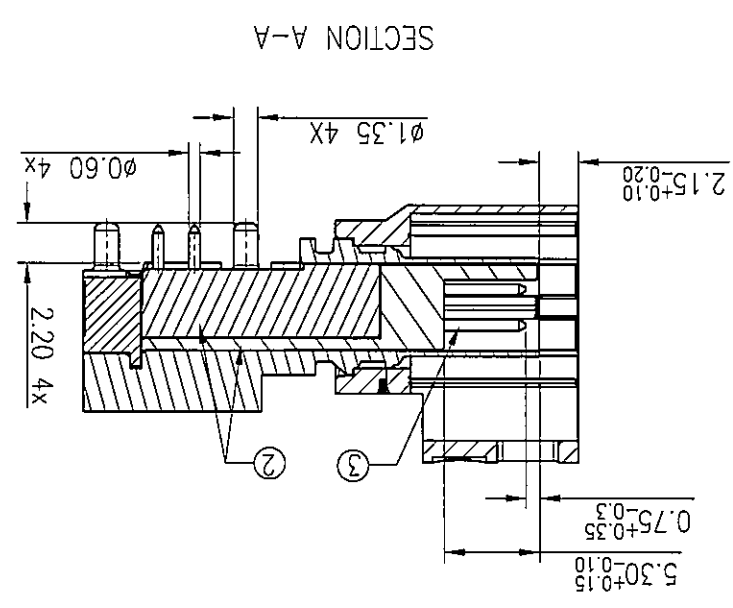
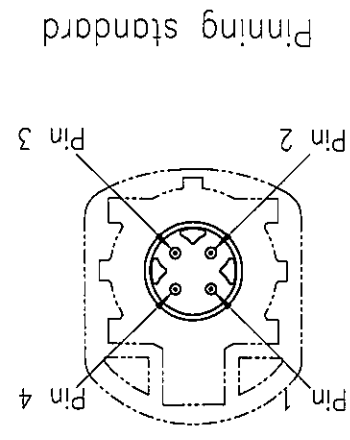
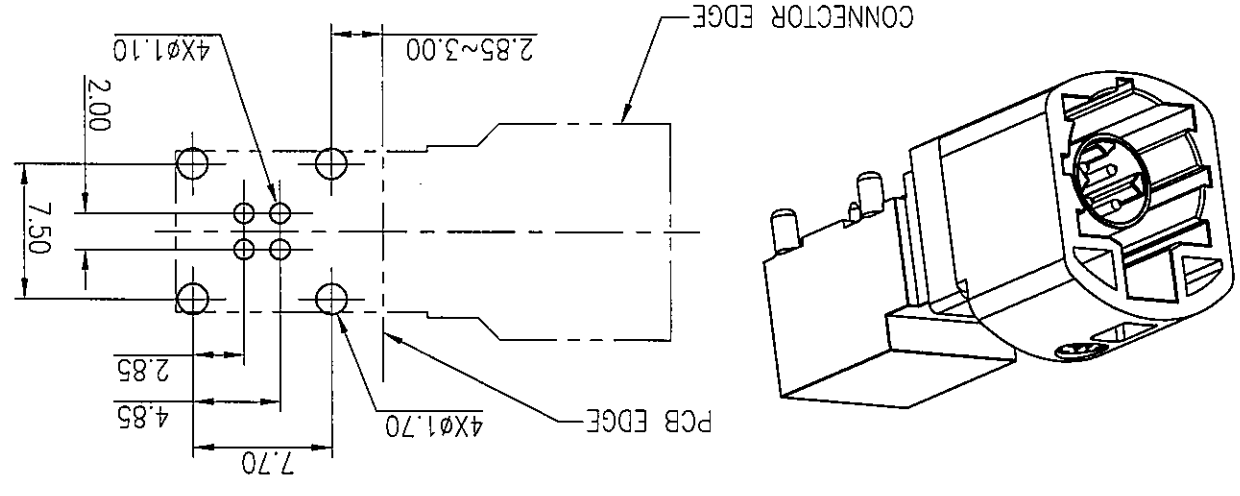


This document is the property of Amphenol Corporation and is delivered on the express condition that it is not to be disclosed, reproduced or used, in whole or in part, for manufacture or sale by anyone other than Amphenol Corporation without its prior consent, & that no right is granted to disclose or to use any information in this document.

# CUSTOMER DRAWING

SYM	ECN	DESCRIPTION	DATE	APPROVED
1	HK7304	RELEASE TO CUSTOMER	2016/1/8	IP

## REVISIONS



- Notes:
1. Material:
  2. Finish:
  3. Center contact: High temperature thermoplastic,color see table 1.
  4. Outer contact : Zinc alloy.
  5. Cover: Zinc alloy.
  6. Baffle: stainless steel.
  7. Dielectrics: High temperature thermoplastic,color see table 1.
  8. Center contact: Copper alloy.
  9. Outer contact : Zinc alloy.
  10. Center contact: 0.15um min. gold plated on contact area;
  11. Outer contact : 1.27um min. matte tin plated.
  12. Cover: 2um min. nickel plated.
4. RoHS compliant.
5. Order P/N system:
- HSD NXRP PCB 18X
- Coding: See table 1
- Packing method:
- A- Packing by tape & reel
  - B- Packing by tray
  - C- Single Packing



UNLESS OTHERWISE SPECIFIED	
TOLERANCES	U.S. METRIC
X +/-.XX +/-.XX +/-.XX	0.50
FRACTIONS +/-	0.25
ANGLES +/-	0.20
FOR MATERIALS AND FINISHES SEE NOTES	
REMOVE SHARP EDGES	
DIMENSIONS	U.S. INCHES
	MM

DRAWING FILE:	
DATE	APPROVAL
2016/1/8	KAKA.YANG
CHECKED	WILBER
CHECKED	1/8/16
TITLE	
HSD R/A PLUG LOW PROFILE CONNECTOR	
SMT TYPE, NORTH LOCATION	
SIZE	DRAWING NO.
A3	HSDNXRPPCB18X
REV.	1
SCALE	
1:1	
SHEET 1 OF 1	

Plug	Coding	Color	Ral
	A	Black	9005
	B	White	9001
	C	Blue	5005
	D	Claret	4004
	E	Green	6002
	F	Brown	8011
	Z	Waterblue	5021

Plug	Coding	Color	Ral
	G	Grey	7031
	H	Violet	4003
	J	Beige	1001
	K	Curry	1027
	L	Yellow green	6018
	M	Pastel orange	2003
	O	Light green	6027

## X-ON Electronics

Largest Supplier of Electrical and Electronic Components

*Click to view similar products for [Automotive Connectors](#) category:*

*Click to view products by [Amphenol](#) manufacturer:*

Other Similar products are found below :

[003-018-000](#) [600858](#) [60403001](#) [60993906-B](#) [60993913-B](#) [629515004020001](#) [M902-2131](#) [M902-2161](#) [M902-2344](#) [72.330.1035.1](#)  
[73.353.4028.0](#) [F118010](#) [F119300-B](#) [F132210](#) [F132210-B](#) [F166900](#) [F180100](#) [F258300](#) [F258300-B](#) [F294300-B](#) [F339100](#) [F339700](#) [F358300-](#)  
[B](#) [F374110](#) [F407400](#) [F412210](#) [F427600](#) [F444110](#) [F487000](#) [F495100-B](#) [F500900-B](#) [F509500B-B](#) [770444-1](#) [776880-1](#) [827153-1](#) [881735-1](#)  
[8N1515-32-24P](#) [9-1326727-8](#) [9-1326729-8](#) [925467-1](#) [925474-1](#) [928905-1](#) [936398-2](#) [964562-1](#) [964562-4](#) [964731-2](#) [965051-1](#) [968782-1](#)  
[GT17SA-8DS-HU](#) [GT17VS-10DP-5.2CF](#)