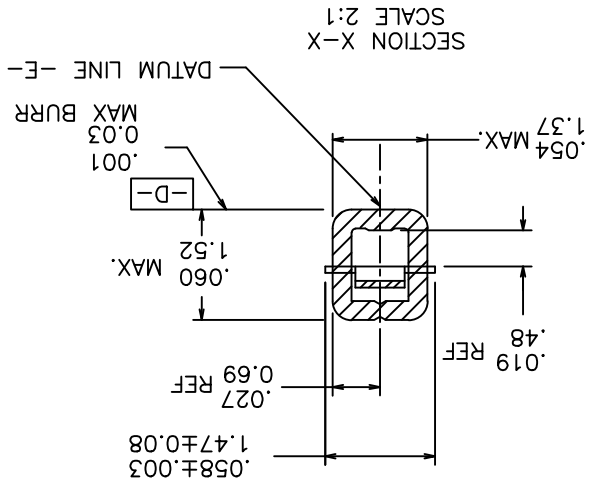
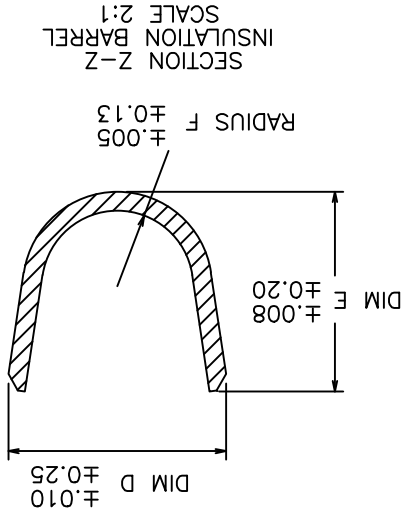
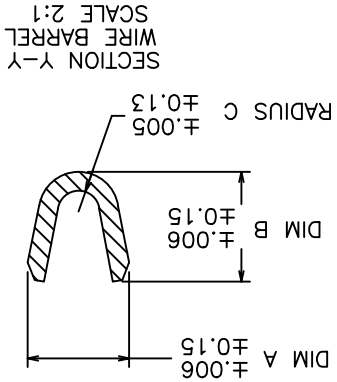
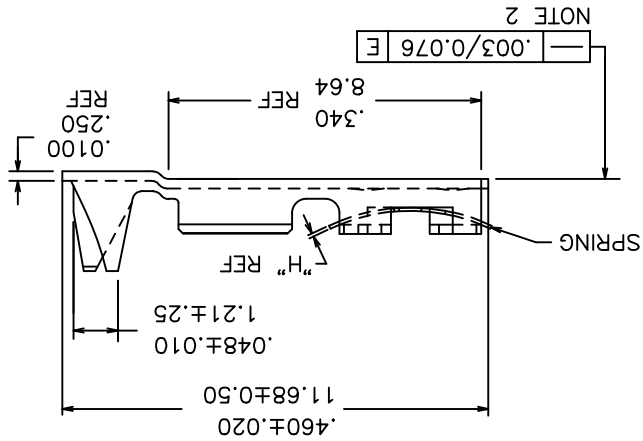
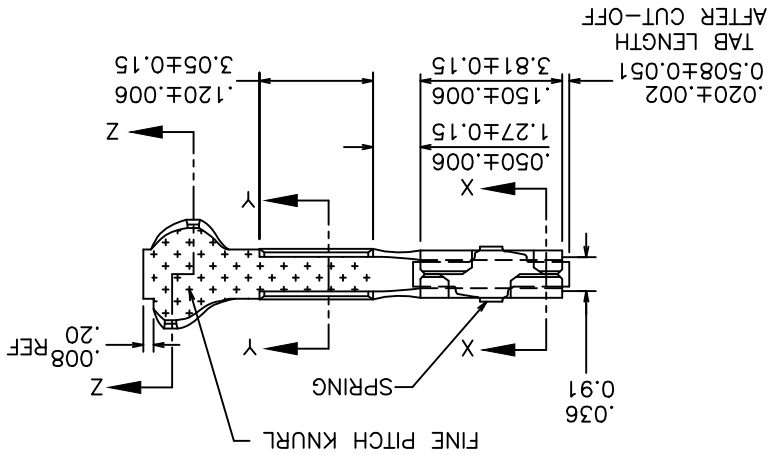
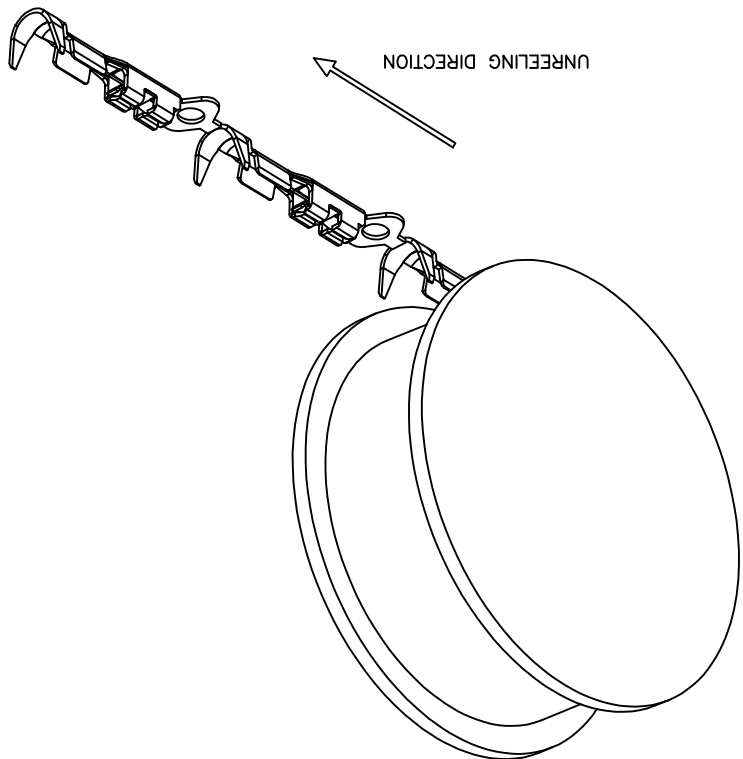


PRODUCT NUMBER  
SEE SHEET 3



mat'l. code		SEE TABLE		surface		tolerance		projection		product family	
PVT		PVT		PVT		PVT		PVT		PVT	
trn		ecn no		dr		date		tolerances unless otherwise specified		title	
AN		V12-0006		HTB		12.01.05		.XX±.01/.X±.3		INCH/MM	
AP		F-21694		AMA		15.08.18		.XXX±.005/.XX±.13		SCALE 5:1	
AR		F-25007		DDE		16.09.22		.XXX±.0020/.XXX±.13		MINI PVT™ RECEPTACLE	
sheet		revision		AR		AR		AR		type	
1		1		AR		AR		AR		Product Customer Drawing	
index		sheet		AR		AR		AR		dwg no	
1		1		AR		AR		AR		47212	
2		2		AR		AR		AR		sheet 1 of 5 size	
3		3		AR		AR		AR		A3	
4		4		AR		AR		AR		Product Customer Drawing	
5		5		AR		AR		AR		Product Customer Drawing	
6		6		AR		AR		AR		Product Customer Drawing	



NOTES:

1. TERMINAL MATES WITH .025±.002/0.64±0.05 SQUARE OR ROUND PIN.
- ② WHEN MEASURED ALONG DATUM -E- WITHIN .340/8.64 REF DIM.
3. PRODUCT SPECIFICATION: BUS-12-067.  
APPLICATION SPECIFICATIONS:  
TA-75: TERMINAL DATA FOR USE WITH MINI LATCH HOUSING.  
TA-146: TERMINAL DATA FOR CONTACTS NOT USED IN HOUSINGS.  
TA-210: TERMINAL DATA FOR CONTACTS USED WITH MINI ROD HOUSINGS.  
TA-228: APPLICATIONS USING 20 AWG WIRE.  
TA-531: INSTALLING AND REMOVING TERMINALS.

- ④ PRODUCT MEETS EUROPEAN UNION DIRECTIVES AND OTHER COUNTRY REGULATIONS AS DESCRIBED IN GS-22-008.
5. THIS PRODUCT IS NOT INTENDED TO BE EXPOSED TO MANUFACTURING SOLDERING PROCESSES.
- ⑥ THIS PRODUCT HAS 100% TIN PLATING IN THE INTERFACE AND HAS NOT BEEN TESTED FOR WHISKER GROWTH IN ALL INTERCONNECT ENVIRONMENTS.

- ⑦ CONTACT SIDE OF TERMINAL WILL HAVE 50µ"/1.27µm NICKEL UNDERPLATE OVERALL WITH GOLD FLASH REQUIRED INSIDE CONTACT BOX AND WIRE BARREL ONLY. BACKSIDE OF TERMINALS TO BE PLATED WITH 30µ"/0.76µm NICKEL ONLY.

PRODUCT NUMBER	AWG		WIRE BARREL		INSULATION BARREL		RECOMMENDED HANDTOOL FOR LOOSE PIECE APPLICATION	
	RANGE	DIM A	DIM B	RADIUS C	INSULATION DIAMETER RANGE	DIM D		DIM E
18-20	.104/2.64	.104/2.64	.021/.53	.042/1.07-.103/2.62	.139/3.53	.120/3.05	.050/1.27	HT-0073
22-26	.070/1.78	.070/1.78	.017/.43	.036/.91-.103/2.62	.139/3.53	.120/3.05	.050/1.27	HT-0095
28-32	.054/1.37	.058/1.47	.011/.28	.028/.71-.054/1.37	.115/2.92	.105/2.67	.040/1.02	

mat'l. code	SEE TABLE	surface	tolerance	projection	product family	PV TERMINALS
ltr ecn no	dr date	tolerances unless otherwise specified	title	product family	PV TERMINALS	
AN M12-0004 H1B	12.01.05	angles	lineart	xxxx.005/xxx.13	xxxx.01/xx.3	xxxx.0020/xxx.13
AP F-21694	AMA 15.08.18	dr	A.MAISERES	15.07.16	engr	L.MULLN 15.07.16
AR F-25007	DDE 16.09.22	appd	L.MULLN	15.07.16	sheet	revision
sheet	revision	index	sheet	revision	index	sheet

type	Product Customer Drawing
dwg no	47212
sheet 2 of 5 size	A3



47212

sheet 2 of 5 size

A3

Product Customer Drawing

Product Customer Drawing

Product Customer Drawing

Product Customer Drawing

Product Customer Drawing

Product Customer Drawing

Product Customer Drawing

Product Customer Drawing

Product Customer Drawing

Product Customer Drawing

Product Customer Drawing

Product Customer Drawing

Product Customer Drawing

Product Customer Drawing

Product Customer Drawing

Product Customer Drawing

Product Customer Drawing

Product Customer Drawing

Product Customer Drawing

Product Customer Drawing

Product Customer Drawing

Product Customer Drawing

Product Customer Drawing

Product Customer Drawing

Product Customer Drawing

Product Customer Drawing

Product Customer Drawing

Product Customer Drawing

Product Customer Drawing

Product Customer Drawing

Product Customer Drawing

Product Customer Drawing

Product Customer Drawing

Product Customer Drawing

Product Customer Drawing

Product Customer Drawing

Product Customer Drawing

Product Customer Drawing

Product Customer Drawing

Product Customer Drawing

Product Customer Drawing

Product Customer Drawing

Product Customer Drawing

Product Customer Drawing

Product Customer Drawing

Product Customer Drawing

Product Customer Drawing

Product Customer Drawing

Product Customer Drawing

Product Customer Drawing

Product Customer Drawing

Product Customer Drawing

Product Customer Drawing

Product Customer Drawing

Product Customer Drawing

Product Customer Drawing

Product Customer Drawing

Product Customer Drawing

Product Customer Drawing

Product Customer Drawing

Product Customer Drawing

Product Customer Drawing

Product Customer Drawing

Product Customer Drawing

Product Customer Drawing

Product Customer Drawing

Product Customer Drawing

Product Customer Drawing

Product Customer Drawing

Product Customer Drawing

Product Customer Drawing

Product Customer Drawing

Product Customer Drawing

Product Customer Drawing

Product Customer Drawing

Product Customer Drawing

Product Customer Drawing

Product Customer Drawing

Product Customer Drawing

Product Customer Drawing

Product Customer Drawing

Product Customer Drawing

Product Customer Drawing

Product Customer Drawing

Product Customer Drawing

Product Customer Drawing

Product Customer Drawing

Product Customer Drawing

Product Customer Drawing

Product Customer Drawing

Product Customer Drawing

Product Customer Drawing

Product Customer Drawing

Product Customer Drawing

Product Customer Drawing

Product Customer Drawing

Product Customer Drawing

Product Customer Drawing

Product Customer Drawing

Product Customer Drawing

Product Customer Drawing

Product Customer Drawing

Product Customer Drawing

Product Customer Drawing

Product Customer Drawing

Product Customer Drawing

Product Customer Drawing

Product Customer Drawing

Product Customer Drawing

Product Customer Drawing

Product Customer Drawing

Product Customer Drawing

Product Customer Drawing

Product Customer Drawing

Product Customer Drawing

Product Customer Drawing

Product Customer Drawing

Product Customer Drawing

Product Customer Drawing

Product Customer Drawing

Product Customer Drawing

Product Customer Drawing

Product Customer Drawing

Product Customer Drawing

Product Customer Drawing

Product Customer Drawing

Product Customer Drawing

Product Customer Drawing

Product Customer Drawing

Product Customer Drawing

Product Customer Drawing

Product Customer Drawing

Product Customer Drawing

Product Customer Drawing

Product Customer Drawing

Product Customer Drawing

Product Customer Drawing

Product Customer Drawing

Product Customer Drawing

Product Customer Drawing

Product Customer Drawing

Product Customer Drawing

Product Customer Drawing

Product Customer Drawing

Product Customer Drawing

Product Customer Drawing

Product Customer Drawing

Product Customer Drawing

Product Customer Drawing

Product Customer Drawing

Product Customer Drawing

Product Customer Drawing

Product Customer Drawing

Product Customer Drawing

Product Customer Drawing

Product Customer Drawing

Product Customer Drawing

Product Customer Drawing

Product Customer Drawing

Product Customer Drawing

Product Customer Drawing

Product Customer Drawing

Product Customer Drawing

Product Customer Drawing

Product Customer Drawing

Product Customer Drawing

Product Customer Drawing

Product Customer Drawing

Product Customer Drawing

Product Customer Drawing

Product Customer Drawing

Product Customer Drawing

Product Customer Drawing

Product Customer Drawing

Product Customer Drawing

Product Customer Drawing

Product Customer Drawing

Product Customer Drawing

Product Customer Drawing

Product Customer Drawing

Product Customer Drawing

Product Customer Drawing

Product Customer Drawing

Product Customer Drawing

Product Customer Drawing

Product Customer Drawing

Product Customer Drawing

Product Customer Drawing

Product Customer Drawing

Product Customer Drawing

Product Customer Drawing

Product Customer Drawing

Product Customer Drawing

Product Customer Drawing

Product Customer Drawing

Product Customer Drawing

Product Customer Drawing

Product Customer Drawing

Product Customer Drawing

Product Customer Drawing

Product Customer Drawing

Product Customer Drawing

Product Customer Drawing

Product Customer Drawing

Product Customer Drawing

Product Customer Drawing

Product Customer Drawing

Product Customer Drawing

Product Customer Drawing

Product Customer Drawing

Product Customer Drawing

Product Customer Drawing

Product Customer Drawing

Product Customer Drawing

Product Customer Drawing

Product Customer Drawing

Product Customer Drawing

Product Customer Drawing

Product Customer Drawing

Product Customer Drawing

Product Customer Drawing

Product Customer Drawing

Product Customer Drawing

Product Customer Drawing

Product Customer Drawing

Product Customer Drawing

Product Customer Drawing

Product Customer Drawing

Product Customer Drawing

Product Customer Drawing

Product Customer Drawing

Product Customer Drawing

Product Customer Drawing

Product Customer Drawing

Product Customer Drawing

Product Customer Drawing

Product Customer Drawing

Product Customer Drawing

Product Customer Drawing

Product Customer Drawing

Product Customer Drawing

Product Customer Drawing

Product Customer Drawing

Product Customer Drawing

Product Customer Drawing





MATERIAL & PLATING		1/4 HARD BRASS BODY		PRE-PLATED: -000LF 100-160µ" 2.54-4.06µ Sn (LEAD-FREE) NOTE 6		Sn PLATED		DIM H±.0005/0.012		SPRING THICKNESS RANGE		RELEED		LOOSE		PLATING AVAILABILITY	
Be/Cu SPRING												NOTE 4		NOTE 4		-000LF -002 -002LF	
22-26	47445	NO	YES	NO	NO	NO	NO	NO	NO	NO	NO	NO	NO	NO	NO	NO	NO
28-32	47446	NO	YES	NO	NO	NO	NO	NO	NO	NO	NO	NO	NO	NO	NO	NO	NO
18-20	47221	NO	YES	NO	NO	NO	NO	NO	NO	NO	NO	NO	NO	NO	NO	NO	NO
22-26	47217	NO	YES	NO	NO	NO	NO	NO	NO	NO	NO	NO	NO	NO	NO	NO	NO
28-32	47213	NO	YES	NO	NO	NO	NO	NO	NO	NO	NO	NO	NO	NO	NO	NO	NO
47714	47714	NO	YES	NO	NO	NO	NO	NO	NO	NO	NO	NO	NO	NO	NO	NO	NO
47749	47749	NO	YES	NO	NO	NO	NO	NO	NO	NO	NO	NO	NO	NO	NO	NO	NO
47648	47648	NO	YES	NO	NO	NO	NO	NO	NO	NO	NO	NO	NO	NO	NO	NO	NO
47649	47649	NO	YES	NO	NO	NO	NO	NO	NO	NO	NO	NO	NO	NO	NO	NO	NO
47750	47750	NO	YES	NO	NO	NO	NO	NO	NO	NO	NO	NO	NO	NO	NO	NO	NO
47751	47751	NO	YES	NO	NO	NO	NO	NO	NO	NO	NO	NO	NO	NO	NO	NO	NO

mat'l. code	SEE TABLE	surface	tolerance	projection	product family	PV TERMINALS
ltr ecn no	dr date	tolerances unless otherwise specified	title	MINI PV™ RECEPTACLE CRIMP TO WIRE	sheet 5 of 5 size	A3
AN V12-0004 HTB	12.01.05	linear .XX±.01/.XX±.3	INCH/MM	47212	dwg no	
AP F-21694	AMA 15.08.18	near .XXX±.005/.XXX±.13	SCALE 1:1	FCI	type	Product Customer Drawing
AR F-25007	DDE 16.09.22	A.MAISIERES 15.07.15				
		appr L.MULN 15.07.15				
		chf				
		engr L.MULN 15.07.15				
		sheet revision				
		index sheet				

## X-ON Electronics

Largest Supplier of Electrical and Electronic Components

*Click to view similar products for [Headers & Wire Housings](#) category:*

*Click to view products by [Amphenol](#) manufacturer:*

Other Similar products are found below :

[95000-104TRLF](#) [10135584-644402LF](#) [DF62W-EP2022PCA](#) [95000-106TRLF](#) [DF62W-2022SCA](#) [DF62W-EP2022PC](#) [2203348](#) [DF62W-2022SC](#) [1084018](#) [1029039](#) [1084017](#) [802-10-012-10-002000](#) [1112640](#) [1112639](#) [891-007-9SS-BST1T](#) [000-34000](#) [0008550134](#) [0009482033](#) [0009507031](#) [57102-F02-18ULF](#) [57102-S06-03LF](#) [57202-S52-04LF](#) [PCN6-15S-2.5E](#) [0039019024](#) [58102-G61-06LF](#) [582553-1](#) [0009485154](#) [0009508121](#) [009176003701906](#) [0022285053](#) [0050291907](#) [018731A](#) [LY20-4P-DT1-P1E-BR](#) [02.125.8002.8](#) [60101931](#) [60598-1 \(Cut Strip\)](#) [M1625-3R/100](#) [61062-3](#) [61082-181009](#) [CSU011177004](#) [636-1427](#) [638009-1](#) [641938-9](#) [641991-4](#) [644168-1](#) [644827-2](#) [647662-1](#) [65039-019ELF](#) [65692-001LF](#) [65781-018](#)