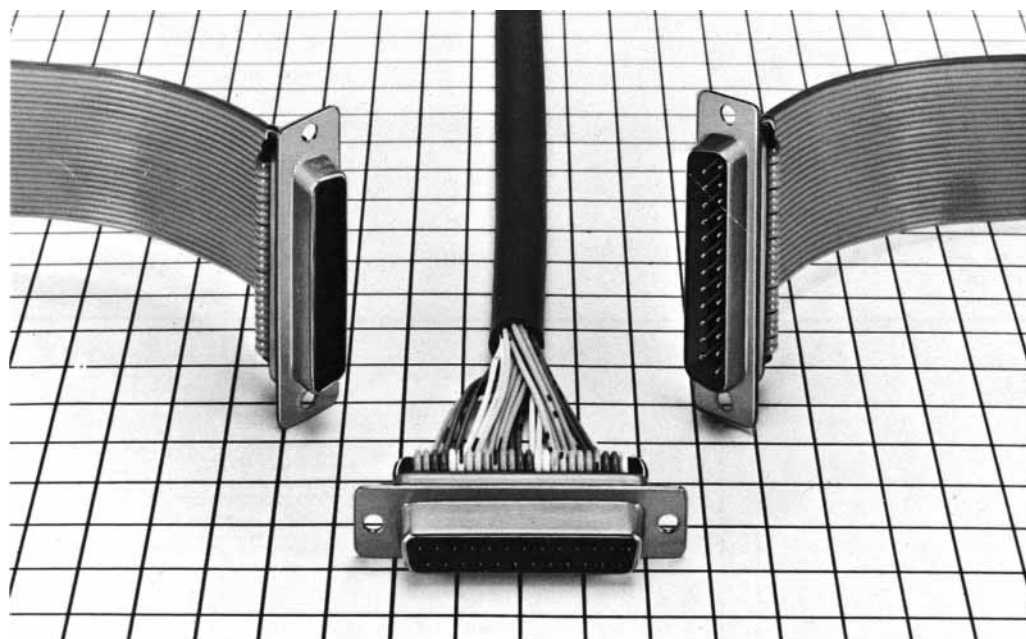


RIBBON-CABLE LOW-PROFILE FD CONNECTORS

General

The low-profile FD series are rectangular multi-contact connectors for ribbon-cable IDC termination. The FD Series are most useful for labor-saving in connection work and enhancing wiring reliability.

The profile has been minimized to meet the customer needs for smaller devices. 9, 15, 25 and 37-contact models are available.



Features

- (1) Compact and sturdy due to metal shell.
- (2) Can be mounted on the front or back of a panel or chassis as necessary.
- (3) Much lower Profile to permit miniaturization.
- (4) Fixes the cable securely by fitting the ribbon cable clamp with a metal plate in the connector.
- (5) Cables, including standard pitch (1.27mm) ribbon cables, as well as those with 1.38mm pitch (equal to the D sub), can be connected by replacing the jig (a jig is required for slit cables).
- (6) Discrete cables can be connected by using a multi-core cable IDC terminator.

Application

Computers, peripherals and terminals, radio equipment, and control equipment.

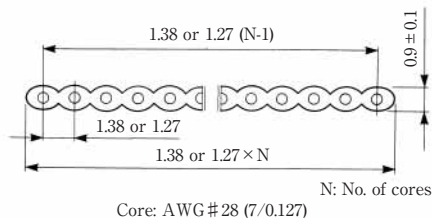
Electrical and Environmental

| Electrical and Environmental Characteristics | |
|--|---------------------------------|
| Current rating | 1A |
| Voltage rating | 200V AC |
| Insulation resistance | 1,000M Ω min. at 500V DC |
| Contact resistance | 25m Ω max. at 100mA DC |
| Withstand voltage | 650Vr.m.s. AC for one minute |

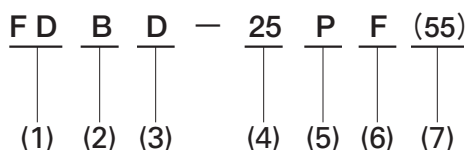
| Material and Finish | | |
|---------------------|------------------|-------------------------------|
| Shell | Steel | Nickel plating |
| Insulator | PBT | Black |
| Contacts | Beryllium Copper | Nickel plating + gold plating |

※UL94V-0

Cable specifications



Ordering Informations

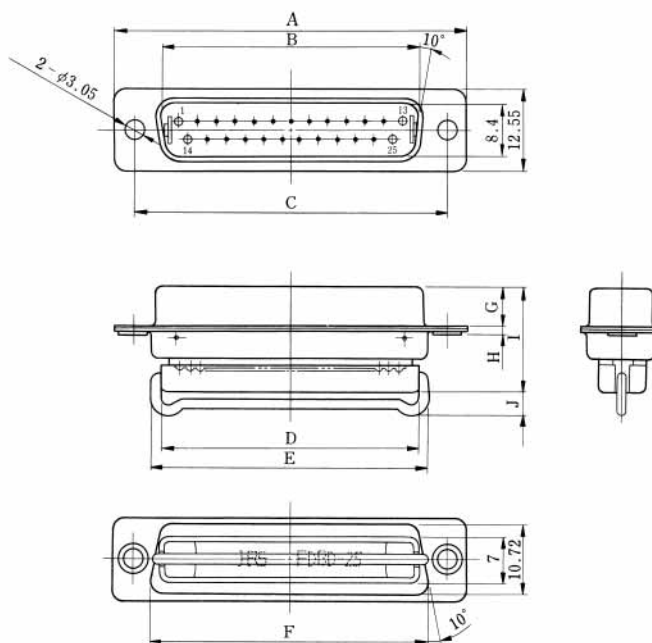


- (1) Series Name FD: Insulation displacement termination
- (2) Shell size E, A, B, C
- (3) Serial sign for series
- (4) No. of pin 9, 15, 25, 37
- (5) Type of contacts
 P: Male contact
 S: Female contact
- (6) F: Shell dimpled (male connector only)
- (7) (55) Nickel-plated shell

Pin Connector



FDBD-25P (55)

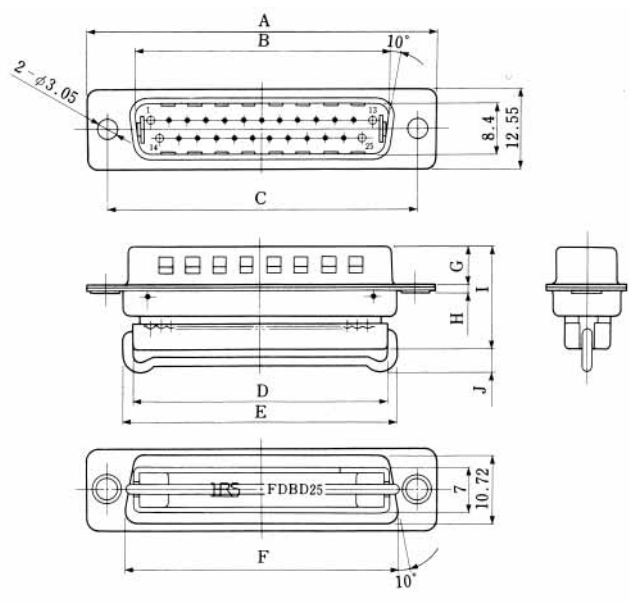


Unit: mm

| HRS No | No. of pin | Part No. | A | B | C | D | E | F | G | H | I | J | RoHS |
|-----------------|------------|---------------|-------|-------|-------|-------|------|-------|------|-----|-------|-----|------|
| CL211-0444-4-55 | 9 | FDAD-9P (55) | 30.81 | 16.9 | 24.99 | 16.9 | 19 | 19.28 | 5.99 | 1.2 | 15.67 | 2.7 | YES |
| CL211-0446-0-55 | 15 | FDAD-15P (55) | 39.14 | 25.24 | 33.32 | 25.27 | 27.2 | 27.55 | 5.99 | 1.2 | 15.67 | 2.7 | |
| CL211-0448-5-55 | 25 | FDBD-25P (55) | 53.04 | 39.01 | 47.04 | 39 | 41.4 | 41.28 | 5.87 | 1.3 | 15.67 | 3.2 | |
| CL211-0450-7-55 | 37 | FDCD-37P (55) | 69.32 | 55.47 | 63.5 | 55.4 | 57.9 | 57.71 | 5.87 | 1.4 | 15.67 | 3.2 | |



FDBD-25PF (55)



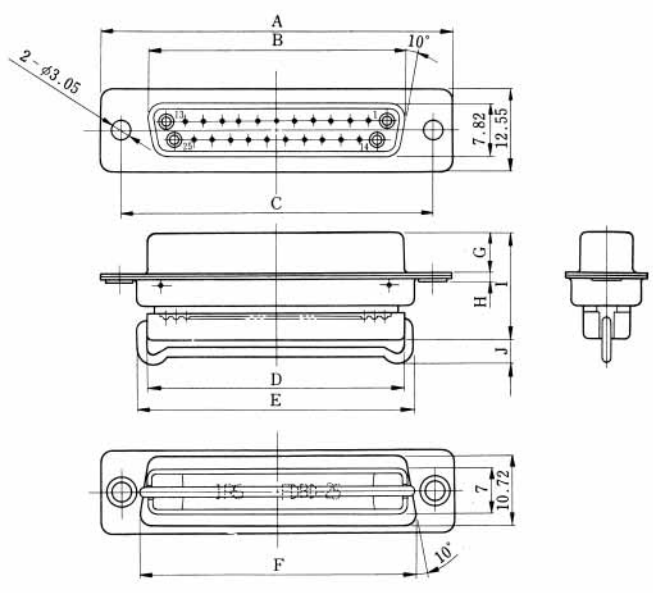
Unit: mm

| HRS No | No. of pin | Part No. | A | B | C | D | E | F | G | H | I | J | RoHS |
|-----------------|------------|----------------|-------|-------|-------|-------|------|-------|------|-----|-------|-----|------|
| CL211-0604-9-55 | 9 | FDED-9PF (55) | 30.81 | 16.9 | 24.99 | 16.9 | 19.0 | 19.28 | | | | | |
| CL211-0605-1-55 | 15 | FDAD-15PF (55) | 39.14 | 25.24 | 33.32 | 25.27 | 27.2 | 27.55 | 5.99 | 1.2 | 15.67 | 2.7 | YES |
| CL211-0606-4-55 | 25 | FDBD-25PF (55) | 53.04 | 39.01 | 47.04 | 39.0 | 41.4 | 41.28 | | 1.3 | | 3.2 | |
| CL211-0607-7-55 | 37 | FDCD-37PF (55) | 69.32 | 55.47 | 63.5 | 55.4 | 57.9 | 57.71 | 5.87 | 1.4 | | | |

Female Connector



FDBD-25S (55)



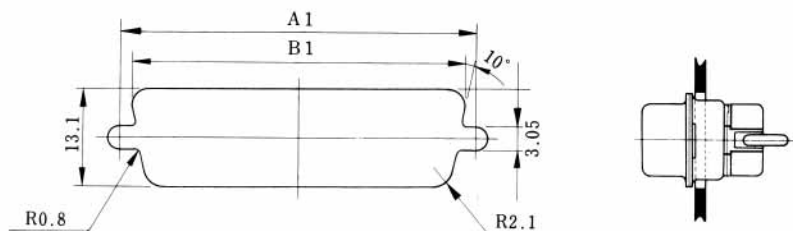
Unit: mm

| HRS No | No. of pin | Part No. | A | B | C | D | E | F | G | H | I | J | RoHS |
|-----------------|------------|---------------|-------|-------|-------|-------|------|-------|------|-----|-------|-----|------|
| CL211-0445-7-55 | 9 | FDED-9S (55) | 30.81 | 16.4 | 24.99 | 16.9 | 19 | 19.28 | 6.17 | 1.2 | 15.67 | 2.7 | YES |
| CL211-0447-2-55 | 15 | FDAD-15S (55) | 39.14 | 24.59 | 33.32 | 25.27 | 27.2 | 27.55 | 6.17 | 1.2 | 15.67 | 2.7 | |
| CL211-0449-8-55 | 25 | FDBD-25S (55) | 53.04 | 38.3 | 47.04 | 39 | 41.4 | 41.28 | 6.17 | 1.2 | 15.67 | 3.2 | |
| CL211-0451-0-55 | 37 | FDCD-37S (55) | 69.32 | 54.76 | 63.5 | 55.4 | 57.9 | 57.71 | 6.17 | 1.2 | 15.67 | 3.2 | |

Connector Mounting Method and Mounting Dimensions

Connector mounted on the face of the panel (front mounting)

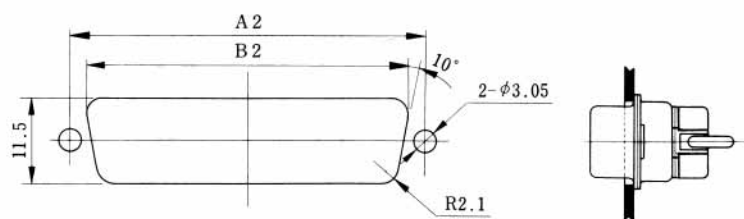
Note: A slight gap will appear between connector and panel since the connector must be plugged to the back of the panel.



Unit: mm

| Shell size | A1 | B1 |
|------------|-------|------|
| E | 24.99 | 22 |
| A | 33.32 | 30.3 |
| B | 47.04 | 44 |
| C | 63.5 | 60.5 |

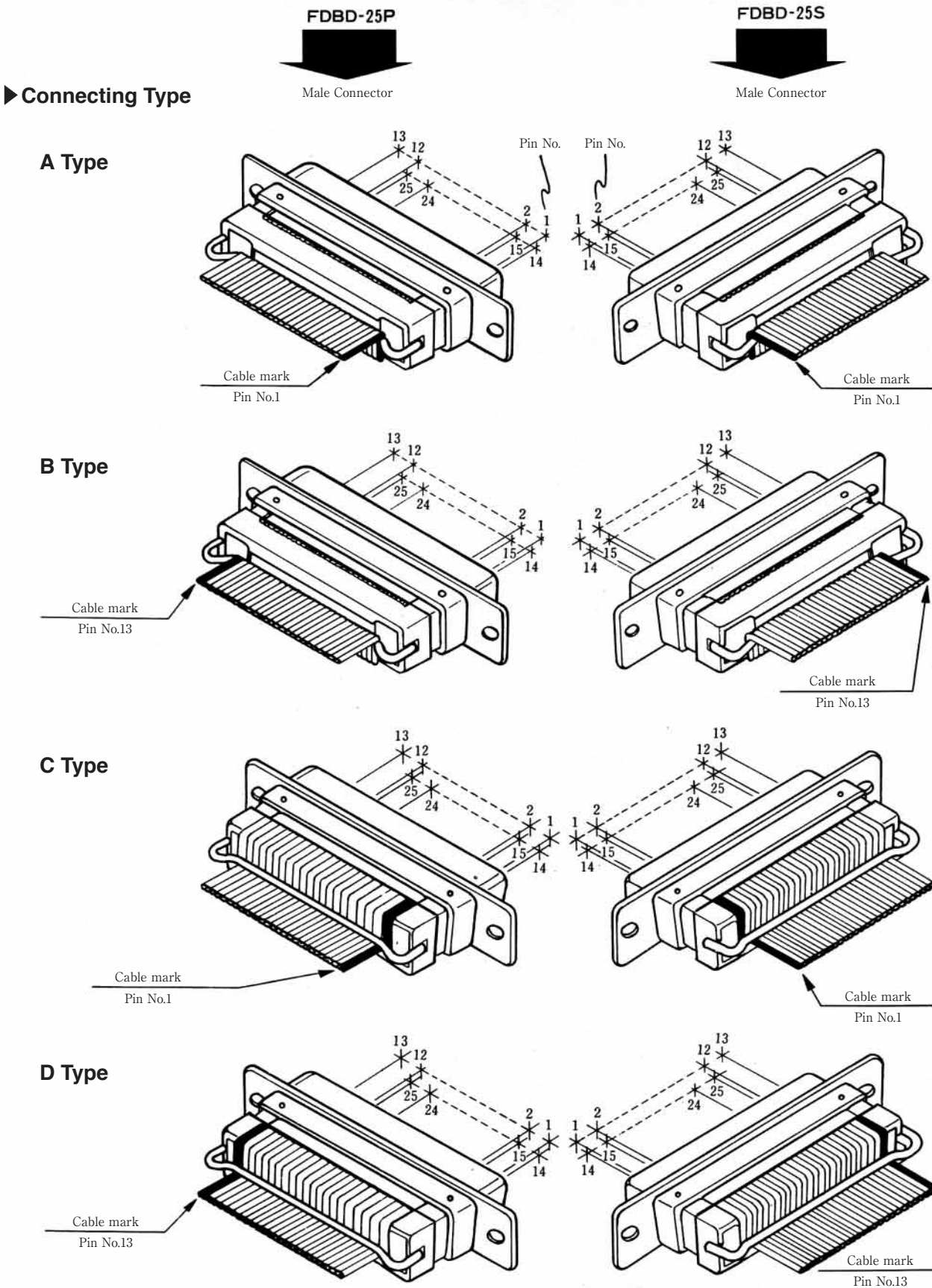
Connector mounted on the back of the panel (rear mounting)



Unit: mm

| Shell size | A2 | B2 |
|------------|-------|------|
| E | 24.99 | 20.2 |
| A | 33.32 | 28.6 |
| B | 47.04 | 42.5 |
| C | 63.5 | 59.2 |

Cabling Variations



Termination tools list for FD*D series

1) For terminating the FD*D series, select tools from the list below according to the cable used.

| Cable | Process before connection (Slitting the Flat Ribbon Cable) | | Insulation Displacement Connection | | | Process after connection |
|--|---|--|---|--|---|--|
| | Press | Jig | Press | Guide Plate | Pressure Block | |
| 1.38mm pitch 1/0 Cable (Flat arrangement at each end side) Flat Ribbon Cable | — | — | HIF Connecting Press (universal type) CL550-0082-2 | FDXD-1.38GP (Universal type) CL902-0021-3 | Pressure Block (Please refer to below table) | FDXD-C (Universal type) (Cable Shear for trimming Cable ends.) CL902-0029-9 |
| 1.27mm pitch Slit Flat Ribbon Cable Discrete Wires | — | — | | *1 (see note) FDXD-1.27GP (Universal type) (For Discrete Wire or Slit Flat Ribbon Cable) CL902-0025-8 | | |
| 1.27mm pitch Flat Ribbon Cable | HIF Connecting Press CL550-0082-2 | FDXD-ST Slitting Jig (Universal type) CL902-0028-6 | | *2 (see note) FDXD-1.27GPF (Universal type) (For Flat Ribbon Cable) CL902-0026-0 | | |

2) Pressure Block

| Application connector | Part No. | HRS No |
|-----------------------|----------|--------------|
| FDED-9P (55) | FDE-P | CL902-0006-3 |
| FDED-9S (55) | FDE-S | CL902-0007-6 |
| FDED-15P (55) | FDA-P | CL902-0009-1 |
| FDED-15S (55) | FDA-P | CL902-0010-0 |
| FDED-25P (55) | FDB-P | CL902-0003-5 |
| FDED-25S (55) | FDB-S | CL902-0004-8 |
| FDED-37P (55) | FDC-P | CL902-0012-6 |
| FDED-37S (55) | FDC-S | CL902-0013-9 |

Note) By changing Wire-Guide-Plate, this Guide Plate can be used for both *1 and *2.

| Cable | Part No. | HRS No |
|---------------|--|--------------|
| Discrete Wire | FDXD-1.27 Discrete Wire Gulde Plate | CL902-0041-4 |
| | FDXD-1.27 Flat Cable Gulde Plate | |
| Flat Cable | FDXD-1.27 Flat Cable Gulde Plate | CL902-0042-7 |

X-ON Electronics

Largest Supplier of Electrical and Electronic Components

Click to view similar products for [D-Sub Standard Connectors](#) category:

Click to view products by [Hirose](#) manufacturer:

Other Similar products are found below :

[DCM37S732N](#) [DAM15P500](#) [DEV09S364GTLF](#) [DEM09P032N](#) [DDM50P732N](#) [DAM15S332N](#) [173109-2218](#) [173109-2466](#) [173109-2436](#)
[173109-2435](#) [56F706-005-LI](#) [56F711-015](#) [015-0341-000](#) [015-0372-008](#) [015-8544-011](#) [017041-0005](#) [012-0515-000](#) [012-9507-034](#) [012-9507-114](#) [012-9534-001](#) [020745-0008](#) [609-25P](#) [M24308/2-23Z](#) [M243082310F](#) [M243082410F](#) [M243082411F](#) [M24308/4-21](#) [CT1A18-11PSA206](#)
[CT1N36-5SC](#) [CT2-16S-17PS](#) [CT2-20-15PCAU](#) [CT2-24-12PS](#) [CT2-24-28PSF127A206](#) [CT2-32-9PC](#) [CT6F9767-14-4-14S-5PC](#)
[CT6FA10SL-4PS](#) [CT7-18-10SC](#) [CT7-18-10SCAU](#) [CT7-18-12SCAU](#) [CT7-18-1PC](#) [CT7-18-1PCAU](#) [CT7-18-21SCAU](#) [M83513/01-FC](#)
[M83723/76W24619 L/C](#) [M85049/48-3-2F](#) [69001-865](#) [6STD09PCM99B70X](#) [6STD09SCT99S40X](#) [6STD15PCT99S40X](#)
[6STD15SCM99B30X](#)