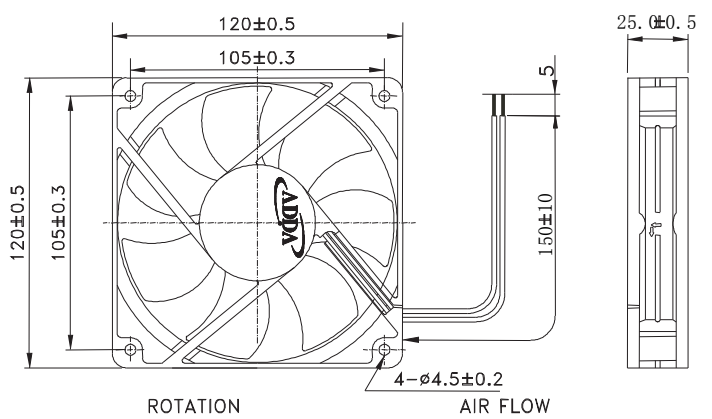


◀ 120X120X25mm Series ▶



Spot cooling, also suitable for small space requirements, laptops PC and notebook, etc.,.

External Dimensions



Frame: Plastic(UL:94v-0)  
Impeller: Plastic(UL:94v-0)  
Bearing: Hypro bearing  
Lead wire: UL1007AWG24  
OPERATING TEMP\*: -10C~70C  
VOLTAGE AVAILABLE: 12V,24V  
\*: -10C~60C for fans with sleeve/ball combination bearings.

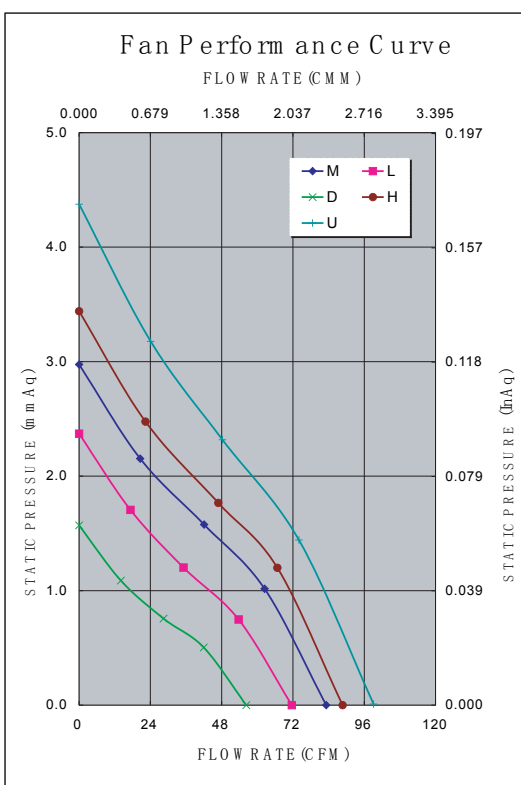
Specifications (Nominal)

\*: Noise is measured at the distance of one (1) meter from the axis of intake.

Frame size (mm)	Model No.	Bearing System Type	Rated Voltage (v)	Rated Current (A)	Rated Power (W)	Rated Speed (rpm)	Maximum AirFlow		Maximum Pressure		Noise Level (dB/A)	Weight (g)
							(CMM)	(CFM)	(InAq)	(mmAq)		
120X120X25	AD1212DB-A71GL	●※●	12	0.13	1.56	1500	1.586	56.30	0.063	1.57	24.7	156
	AD1212LB-A71GL	○※●	12	0.24	2.88	1800	2.028	72.00	0.095	2.37	34.4	
	AD1212MB-A71GL	○※●	12	0.33	3.96	2050	2.344	83.21	0.119	2.97	38.0	
	AD1212HB-A71GL	○※●	12	0.37	4.44	2200	2.499	88.71	0.138	3.45	39.1	
	AD1212UB-A71GL	○※●	12	0.50	6.00	2500	2.792	99.12	0.175	4.38	43.3	
	AD1224LB-A71GL	○※●	24	0.14	3.36	1800	2.028	72.00	0.095	2.37	34.4	
	AD1224MB-A71GL	○※●	24	0.17	4.08	2050	2.344	83.21	0.119	2.97	38.0	
	AD1224HB-A71GL	○※●	24	0.19	4.56	2200	2.499	88.71	0.138	3.45	39.1	
AD1224UB-A71GL	○※●	24	0.25	6.00	2500	2.792	99.12	0.175	4.38	43.3		

Bearing type: ○=Ball ※=Sleeve ○=1B1S ●=Hypro bearing

Specifications subject to change without notice.



\*Motor protective circuit and third lead wire functions

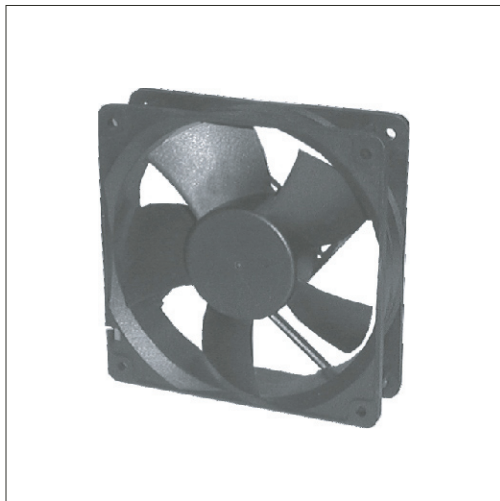
0	1	2	3	4	6	7	8	9	A	B
	✓	✓	✓	✓			✓		✓	

\*Safety approvals

✓	✓		✓	✓	

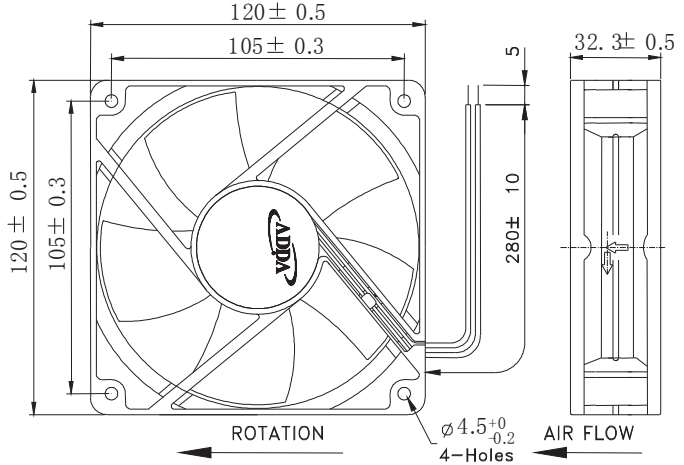
©COPYRIGHT 2003 ADDA CORPORATION. ALL RIGHT RESERVED. ADDA CORPORATION AND ADDA CORPORATION LOGO ARE TRADEMARKS OR SERVICE MARKS OF ADDA CORPORATION.

◀ 120X120X32mm Series ▶



Spot cooling, also suitable for small space requirements, laptops PC and notebook, etc.,.

External Dimensions



Frame: Plastic(UL:94v-0)  
Impeller: Plastic(UL:94v-0)  
Bearing: Hypro bearing  
Lead wire: UL1007AWG24  
OPERATING TEMP\*: -10C~70C  
VOLTAGE AVAILABLE: 12V,24V,48V  
\*: -10C~60C for fans with sleeve/ball combination bearings.

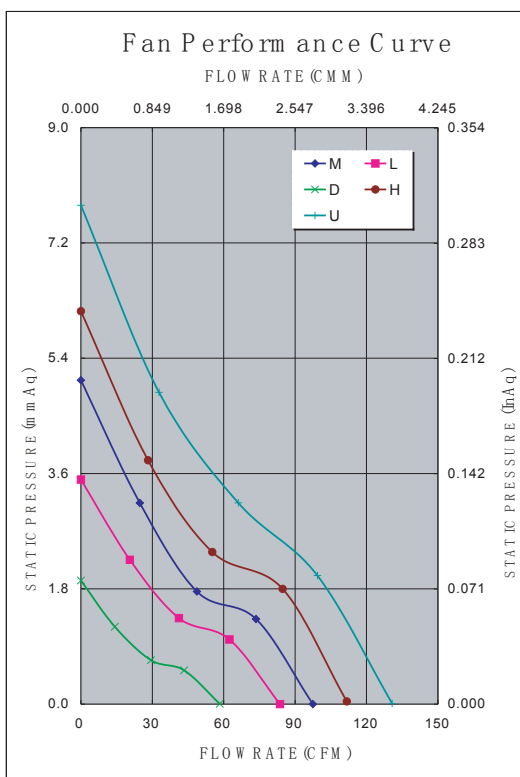
Specifications (Nominal)

\*: Noise is measured at the distance of one (1) meter from the axis of intake.

Frame size (mm)	Model No.	Bearing System Type	Rated Voltage (v)	Rated Current (A)	Rated Power (W)	Rated Speed (rpm)	Maximum AirFlow		Maximum Pressure		Noise Level (dB/A)	Weight (g)
							(CMM)	(CFM)	(InAq)	(mmAq)		
120X120X32	AD1212DB-Y51	○※●	12	0.12	1.44	1450	1.642	58.30	0.077	1.93	26.9	213
	AD1212LB-Y51	○※●	12	0.21	2.52	2000	2.355	83.60	0.140	3.51	36.2	
	AD1212MB-Y51	○※●	12	0.28	3.36	2400	2.746	97.50	0.202	5.05	41.1	
	AD1212HB-Y51	○※●	12	0.40	4.80	2750	3.042	108.00	0.218	5.46	43.3	
	AD1212UB-Y51	○※●	12	0.58	6.96	3200	3.685	130.80	0.312	7.80	48.4	
	AD1224LB-Y51	○※●	24	0.18	4.32	2000	2.355	83.60	0.140	3.51	36.2	
	AD1224MB-Y51	○※●	24	0.22	5.28	2400	2.746	97.50	0.202	5.05	41.1	
	AD1224HB-Y51	○※●	24	0.25	6.00	2750	3.042	108.00	0.218	5.46	43.3	
AD1248HB-Y51	○※●	48	0.15	7.20	2750	3.042	108.00	0.218	5.46	43.3		
AD1248UB-Y51	○※●	48	0.21	10.08	3200	3.685	130.80	0.312	7.80	48.4		

Bearing type: ○=Ball ※=Sleeve ○=1B1S ●=Hypro bearing

Specifications subject to change without notice.



\*Motor protective circuit and third lead wire functions

0	1	2	3	4	6	7	8	9	A	B
	✓	✓	✓	✓			✓		✓	

\*Safety approvals

✓	✓		✓	✓	

©COPYRIGHT 2003 ADDA CORPORATION. ALL RIGHT RESERVED. ADDA CORPORATION AND ADDA CORPORATION LOGO ARE TRADEMARKS OR SERVICE MARKS OF ADDA CORPORATION.

## X-ON Electronics

Largest Supplier of Electrical and Electronic Components

*Click to view similar products for [DC Fans](#) category:*

*Click to view products by [ADDA](#) manufacturer:*

Other Similar products are found below :

[614R](#) [6424/2HP-210](#) [8312R](#) [DV4118/2NP-183](#) [AFB0948HH-S687](#) [PFB0824DHE-8B72](#) [G2E085-AA05-10](#) [RD20S-4/210660](#) [4318/12T](#)  
[4418HH](#) [AUB0912H-F00](#) [3412N/2ME](#) [K2E225-RA92-09](#) [4184N/2XR](#) [5214N2HH](#) [614J2HHPR-010](#) [8412NGL-12](#) [4114N/12HHR-297](#)  
[4656](#) [ZWR-903](#) [4112N12GL-175](#) [KD2406PKB2.\(2\).GN](#) [AFB1248HHE](#) [AFB1212LE-F00](#) [FAN-SCH-1](#) [MF60151V1-1000U-G99](#)  
[PF80252V1-1000U-G99](#) [PF92252V1-1000U-G99](#) [4112N/2H6P](#) [4114N/17-251](#) [6212NH](#) [622/2N](#) [712F-011](#) [8218J/2NP-181](#) [W1G180-AB47-](#)  
[15](#) [FAA1-12038NBKW31-A](#) [6318N/2TDP](#) [6318N/2H3PU](#) [6318HU](#) [424JMU](#) [PMD1206PTVX-A.U.GN](#) [PF80251B2-000U-F99](#)  
[EF40101BX-1000U-G99](#) [AD1224LB-A71GL](#) [9GA0924L4021](#) [9GA0924M4021](#) [9GA0924M4011](#) [9GA0824B20011](#) [9GA0812A2D0011](#)  
[9GA0912M4D011](#) [9GA0924W4D01](#)